

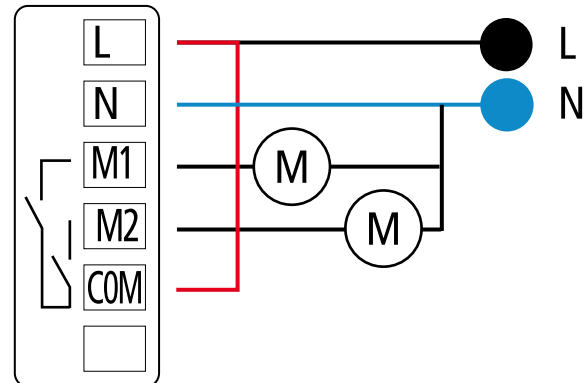
Vitrum II BS Rolldown Shutters and Curtains Control Classic



Datasheet

cod. 02B020021

vitrum.com



certified product

FUNCTIONAL SPECIFICATION

- Two-button for control of rolldown shutters and curtains
- Touch control with capacitive technology and concave surface for tactile Feedback
- Acoustic feedback signal
- Crown backlit by low-consumption LEDs

COMMAND MODE

- Two capacitive button with " On-Off " control
Up - Down or Open - Close

MECHANICAL CHARACTERISTICS

- Box British 1 Gang wall or plasterboard
- Dimension: 95x95mm
- Depth at sight: 8 mm
- Operating temperature: 0-40°C
- Button Diameter: 16 mm
- Light ring diameter: 20 mm
- Weight: 210 g.

ELECTRICAL CHARACTERISTICS

- Power: 230V
- Energy consumption: < 1W
- Configuration: 3 wires
- Relè OMRON I MAX 2A a 230 V~
- Output power per channel < 800 VA
- For electric motor control

Built in compliant with:

CEI EN 60669-2-1

Compatibility E.M.C.: CEI EN 55015

Think Simple s.r.l.

Size, color tone and characteristics of the products shown are only indicative and do not constitute any contractual bond. Think Simple s.r.l. reserves the right to modify its products at any time and without notice in order to better their quality and functionality.

HEAD OFFICE

Viale Lino Zanussi, 3
33170 Pordenone IT
T +39 0434 516216
F +39 0434 516230

ADMINISTRATIVE OFFICE

Corso Garibaldi, 86
20121 Milano IT
T +39 02 65560029
F +39 02 45498295