

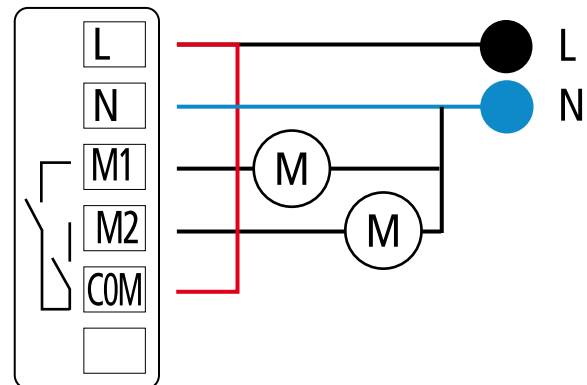
# Vitrum II BS Rolldown Shutters and Curtains Control Wireless



## Datasheet

cod. 02B020011

vitrum.com



certified product

## FUNCTIONAL SPECIFICATION

- Two-button for control of rolldown shutters and curtains
- Touch control with capacitive technology and concave surface for tactile Feedback
- Acoustic feedback signal
- Crown backlit by low-consumption LEDs

## COMMAND MODE

- Two capacitive button with "On-Off" control:  
Up-Down - Open-Close

## MECHANICAL CHARACTERISTICS

- Box British 1 Gang wall or plasterboard
- Dimension: 95x95mm
- Depth at sight: 8 mm
- Operating temperature: 0-40°C
- Button Diameter: 16 mm
- Light ring diameter: 20 mm
- Weight: 220 g.

## ELECTRICAL CHARACTERISTICS

- Power: 230V ac
- Energy consumption: < 1W
- Configuration: 3 wires
- Relè OMRON I MAX 2A a 230 V~
- Output >20 VA e < 800 VA for electric motor
- Frequency of communication: F.M. 868.4MHz - R.F radiated power <1mW
- R.F. Range: 20 m. MAX (open field )

Built in compliant with:

**CEI EN 60669-2-1**

**Compatibility E.M.C.:** CEI EN 55015

**Radio:** ETS 300683

### Think Simple s.r.l.

Size, color tone and characteristics of the products shown are only indicative and do not constitute any contractual bond. Think Simple s.r.l. reserves the right to modify its products at any time and without notice in order to better their quality and functionality.

### HEAD OFFICE

Viale Lino Zanussi, 3  
33170 Pordenone IT  
T +39 0434 516216  
F +39 0434 516230

### ADMINISTRATIVE OFFICE

Corso Garibaldi, 86  
20121 Milano IT  
T +39 02 65560029  
F +39 02 45498295