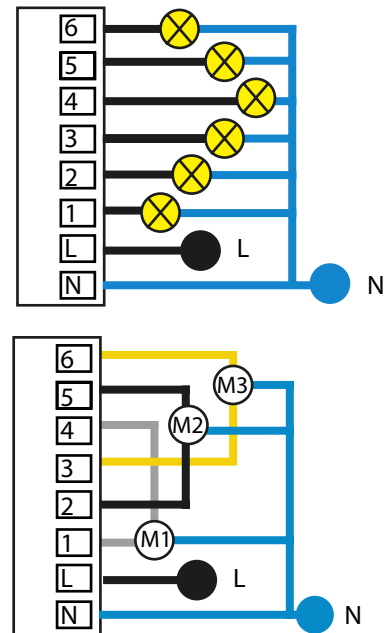
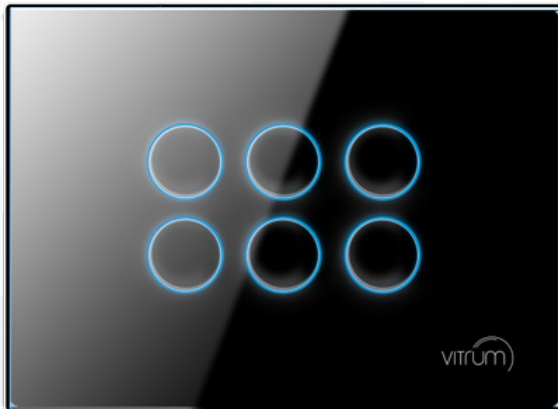


Vitrum VI EU Triac Mix Classic

Datasheet

cod. 01E060070

vitrum.com



FUNCTIONAL SPECIFICATION

- Six-button light switch or shutters wireless
- Touch control with capacitive technology and concave surface for tactile feedback
- Acoustic feedback signal
- Crown backlit by low-consumption LEDs

COMMAND MODE

- Six capacitive button with "On-Off" or "Up/Down" control

MECHANICAL CHARACTERISTICS

- Fitting Box 503 (wall or plasterboard)
- Dimension: 126x95mm
- Depth at sight: 8 mm
- Button Diameter: 16 mm
- Light ring diameter: 20 mm
- Weight: 230 g.

ELECTRICAL CHARACTERISTICS

- Power: 230V ac
- Energy consumption: < 1W
- Operating Temperature 0° – 40° C
- Output power per channel <150watt
- Suitable for motor control
- If used for shutters use relay supports

Built in compliant with:

B.T. : 2006/95/CE

E.M.C.: 2004/108/CE

R&TTE: 1999/5/CE

Think Simple s.r.l.

Size, color tone and characteristics of the products shown are only indicative and do not constitute any contractual bond. Think Simple s.r.l. reserves the right to modify its products at any time and without notice in order to better their quality and functionality.

HEAD OFFICE

Viale Lino Zanussi, 3
33170 Pordenone IT
T +39 0434 516216
F +39 0434 516230

ADMINISTRATIVE OFFICE

Corso Garibaldi, 86
20121 Milano IT
T +39 02 65560029
F +39 02 45498295