

# Specification

**Model** : M133AA

**Description** : 3pcs 5050SMD LED, 12VDC, 0.72W per module, Waterproof with ABS housing & Epoxy sealed, constant voltage (UL)

**Prepared by** : \_\_\_\_\_

**Checked by** : \_\_\_\_\_

**Standard Dept** : \_\_\_\_\_

**Approved by** : \_\_\_\_\_

**Issued Status:** Draft Published

# Specification

**Product Name:** Hades Series

**Model:** M133AA

## Applications

Suitable for 6~16cm [2.4~6.3in] depth signs such as the channel letter, metal letter, light box and so on.



## Features

1. 5050SMD LED mounted;
2. Maximum module quantity per string up to 20pcs;
3. Waterproof with ABS housing & Epoxy sealed;
4. Certification: UL (UL file # E340368), RoHS .

## Installation

1. Adhesive tape backing on modules used as an installation aid only, permanent adhesion is done with screws;
2. Single module as a unit can be cut.

## Warranty

3 years or 13,000 hours, whichever come first.

## Optical and Electrical Parameters:

P/N	LED Color	Color Temperature(K) Wavelength(nm)	Beam Angle (°)	Luminous Flux (lm/piece)	CRI	Luminous Efficacy (lm/W)	Working Voltage (V DC)	Working Current (mA/piece)	Power (W/piece)
M133AA-UL	Warm White	3000	115	48	≥75	67	12	60	0.72
M133AA-UL	Neutral White	6000	115	48	≥75	67	12	60	0.72
M133AA-UL	Cold White	9000	115	48	≥75	67	12	60	0.72
M133AA-UL	Red	620~625	115	18	--	25	12	60	0.72
M133AA-UL	Green	525~530	115	36	--	50	12	60	0.72
M133AA-UL	Blue	465~470	115	10	--	14	12	60	0.72
M133AA-UL	Yellow	585~590	115	14	--	19	12	60	0.72

**Others:**

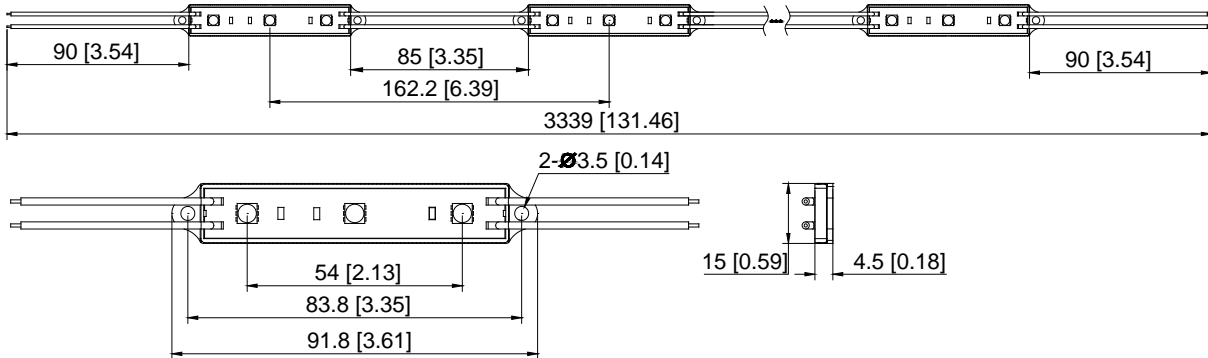
P/N	LED Color	Standard Qty per String (pcs)	Max. Qty per String(pcs)		Weight ( /piece)		Operating Temperature		Storage Temperature		IP Grade
			Single-end power feed	Double-end power feed	g	lb	(°C)	(°F)	(°C)	(°F)	
M133AA-UL	White	20	20	--	7.7	0.017	-25~ +60	-13~+ 140	-25~ +70	-13~+ 158	IP65
M133AA-UL	Red										
M133AA-UL	Green										
M133AA-UL	Blue										
M133AA-UL	Yellow										

**Notes:**

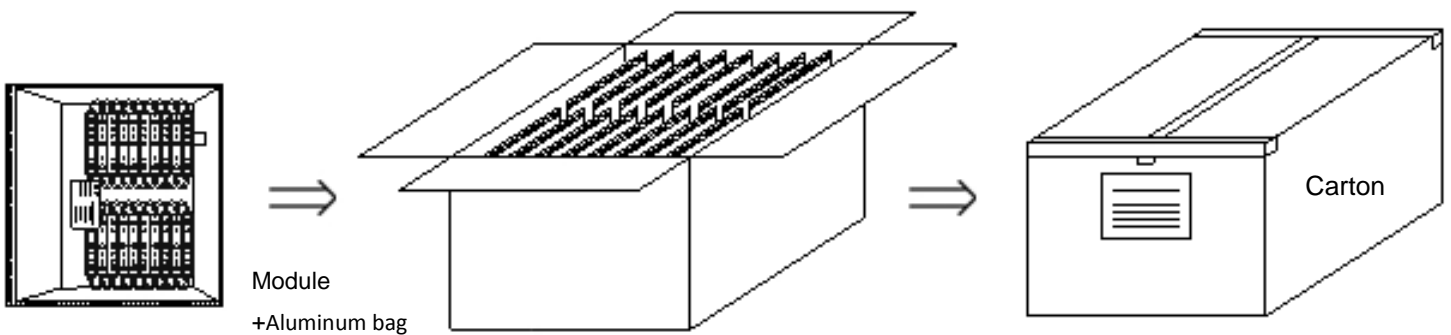
- ① Testing environment temperature: 25±2°C [77±3.6°F]
- ② The above data are typical values; the actual data of each single product could differ from the typical values. The data subject to change without prior notice.

**Profile Drawings:**

Unit: mm[in]



**Packaging Diagram:**



**Packaging:**

1. Carton Dimension: 52\*37\*26cm=0.0500 (1±10%) CBM [20.47\*14.57\*10.24in];
2. 20 modules per string, 4 strings per bag, 30 bags per outer carton, 2400 modules in total;
3. Net Weight (N.W): 18.4 (1±10%) kg [42.990 (1±10%) lb];
4. Gross Weight (G.W): 20.2 (1±10%) kg [44.754 (1±10%) lb];
5. The actual packed quantity and weight subject to change without prior notice.