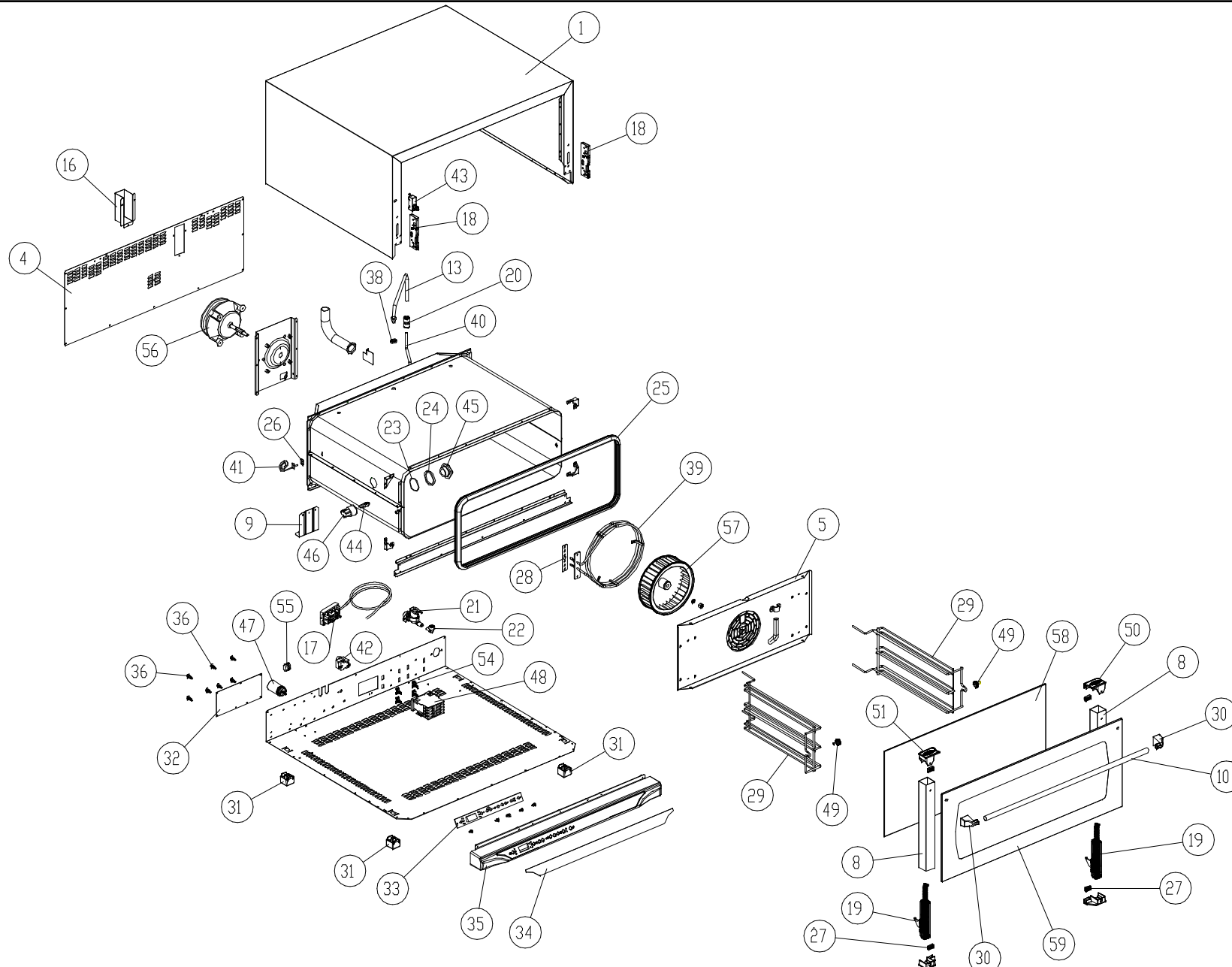


MOD: XF185

EXPLODED VIEW DISEGNO ESPLOSO



LEGEND - LEGENDA

1	OD1280C0	56	VN1000B0
4	OF1090A1	57	VN1025A2
5	OG1120C1	58	VT1065B0
8	OH1420B0	59	VT1066A2
9	OH1455A1		
10	OH1930B0		
13	OH1990A1		
14	OH2015A1		
16	VM1065A0		
17	CE119A		
18	CR1000A0		
19	CR1020B0		
20	EL1055A0		
21	EL1085A0		
22	EL1195A0		
24	GN1065A1		
25	GN1110A2		
26	GN1120A0		
27	GN1265A0		
28	GN224		
29	GRL1015A0		
30	MG1015B0		
31	PD1001A0		
32	PE1175B0		
33	PE1195C1		
34	PE1255A1		
35	PE1315A0		
36	PE1345A1		
38	RC1170A1		
39	RS1090A1		
40	TB008		
41	TR1015A0		
42	TR254		
43	VE1295A0		
44	VE1005A2		
45	VE1010A2		
46	VE1015A1		
47	VE221		
48	VE1095A0		
49	VI1035A1		
50	VM1045B0		
51	VM1046B0		
54	VM1075A1		
55	VM250		

MOD: XF185

EXPLODED VIEW DISEGNO ESPLOSO



DESCRIZIONE CODICI

1	OD1280C0	MANTELLO INOX L.M. ELENA
4	OF1090A1	SCHIENA ZINCATA L.M. ELENA
5	OG1120C1	CARTER ARIA INOX L.M. ELENA
8	OH1420B0	COLONNINA SX/DX PORTA L.M. CRISTINA-STE
9	OH1455A1	STAFFA SOSTEGNO MUFFOLA L.M.
10	OH1930B0	TUBO MANIGLIA D-EST=18 SP=1 L=718
13	OH1990A1	TUBO ESTERNO UMIDITA + RACCORDO
14	OH2015A1	PROFILO SOSTEGNO MOTORE XV203G/403G L.M.
16	VM1065A0	CUFFIA COPRI CAMINO FUMI L.M.
17	CE119A	CAVO 3X1,5 H07RN-F MTI,5+KI/6+SCHUK
18	CR1000A0	ATTACCO CERNIERA PORTA FORNO RIBALTA
19	CR1020B0	CERNIERA PORTA FORNO RIBALTA L.M. ELENA
20	EL1055A0	RIDUZIONE J.G. DA D=10 A D=8 PM201008E
21	EL1085A0	ELETR.SING. ATT. J.GUEST INCORPORATO
22	EL1195A0	RACCORDO A GOMITO CON J.GUEST
24	GN1065A1	GUARNIZIONE PORTALAMPADA,DE=53,2
25	GN1110A2	GUARNIZIONE PORTA PROFILO 248
26	GN1120A0	GUARNIZIONE SONDA DI TEMPERATURA NTC
27	GN1265A0	GUARNIZIONE VETRO INTERNO XVC054/104
28	GN224	GUARN.PTFE+CARB 100x22x0,8sp-c/fori 1999
29	GRL1015A0	GRIGLIA LATERALE DX/SX CROMATA
30	MG1015B0	TERMINALE MANIGLIA L.M.
31	PD1001A0	PIEDINO 35X35 H26 PLASTICA+GOMMA GRIGIO
32	PE1175B0	SCHEDA POTENZA L.M. DYNAMIC 230V
33	PE1195C1	SCHEDA CONTROLLO L.M. DYNAMIC
34	PE1255A1	MASCHERINA SERIGRAFATA PE 180°
35	PE1315A0	CRUSCOTTO COMANDI IN PLASTICA L.M. 800
36	PE1345A1	DISTANZIALE NYLON INCASTRO MASCHIO-INCAS
38	RC1170A1	DADO M14 H=8 CH=22 INOX
39	RS1090A1	RESISTENZA CIRCOLARE D=230 3 SPIRE
40	TB008	TUBO PE 7,93x4,75 TRASPARENTE
41	TR1015A0	SONDA DI TEMP. NTC UL
42	TR254	TERM.SIC.BIP.335°C RIARMO MANUALE
43	VE1295A0	MICROINTERRUTTORE PORTA MK 16A 230V UL
44	VE1005A2	LAMPADA HALOPIN ES H66733ES 33W
45	VE1010A2	VETRO COPRILAMPADA BOROSILICATO
46	VE1015A1	PORTA LAMPADA SERIE 2 PER LAMPADA
47	VE221	CONDENS.ICAR PRL 5uF 450V FASTON
48	VE1095A0	TELERUTTORE GE 25A 230V 50/60
49	VI1035A1	NOTTOLINO M6x12,5 CON TAGLIO OTT.CROM.FE
50	VM1045B0	TAPPO SUP. DX COLONNINA PORTA
51	VM1046B0	TAPPO SUP. SX COLONNINA PORTA
54	VM1075A1	CLIP DI FISSAGGIO PER TELERUTTORI
55	VM250	MORSETT. A PETTINE

56	VN1000B0	MOTORE COND.5uF 200W ALB.M8 CONN.5 POLI
57	VN1025A2	VENTOLA D=196 H=61 38 PALE INOX DADO M8
58	VT1065B0	VETRO INTERNO 715X335X6 BETFL L.M. ELENA
59	VT1066A2	VETRO ESTERNO SER. GIALLO 798X344X5

DESCRIPTION

1	OD1280C0	STAINLESS STEEL OUTER CASING L.M. ELENA
4	OF1090A1	ZINCED BACK PANEL L.M. ELENA
5	OG1120C1	STAINLESS STEEL FAN GUARD L.M. ELENA
8	OH1420B0	
9	OH1455A1	
10	OH1930B0	
13	OH1990A1	EXTERNAL WATER PIPE + STAINLESS
14	OH2015A1	MOTOR SUPPORT PROFILE XV203G/403G/L.M.
16	VM1065A0	PLASTIC COVER FOR FUMES CHIMNEY L.M.
17	CE119A	
18	CR1000A0	HINGE LATCH L.M.
19	CR1020B0	
20	EL1055A0	STRAIGHT REDUCTION FROM D=10 TO
21	EL1085A0	WATER SINGLE ELECTROVALVE WITH
22	EL1195A0	ELBOW UNION WITH J.GUEST TERMINAL
24	GN1065A1	SEAL FOR LAMP GLASS COVER IPURE
25	GN1110A2	DOOR GASKET PROFILE 248 LINE MSS-XCH030
26	GN1120A0	TEMPERATURE PROBE NTC SEAL
27	GN1265A0	INTERNAL GLASS SEAL XVC054/104
28	GN224	PTFE+CARB 100x22x0,8sp-w/holes
29	GRL1015A0	RIGHT/LEFT LATERAL GRID CHROM.PLATED
30	MG1015B0	HANDLE END L.M.
31	PD1001A0	FOOT 35X35 H26 GREY PLASTIC+RUBBER
32	PE1175B0	POWER CARD L.M. DYNAMIC 230V
33	PE1195C1	CONTROL CARD L.M. DYNAMIC SERIE
34	PE1255A1	STICKER WITH SERIGRAPHY PE 180°
35	PE1315A0	PLASTIC CONTROL PANEL L.M. 800
36	PE1345A1	NYLON SPACER MALE-MALE H=14
38	RC1170A1	STAINLESS STEEL NUT M14 H=8 CH=22
39	RS1090A1	CIRC.HEAT. ELEMENT D=230 3 TURNS
40	TB008	TRANSPARENT TUBE PE 7,93x4,75
41	TR1015A0	TEMPERATURE PROBE NTC UL
42	TR254	SECURITY THERMOSTAT BIP. 335°C
43	VE1295A0	DOOR MICROSWITCH MK 16A 230V UL
44	VE1005A2	HALOGEN LAMP 33W ENERGY SAVER
45	VE1010A2	
46	VE1015A1	LAMP HOLDER SERIE 2 FOR HALOGEN LAMP
47	VE221	ICAR CONDENSER PRL 5uF 450V FASTON
48	VE1095A0	REMOTE CONTROL SWITCH GE 25A 230V
49	VI1035A1	CHROMIUM PLATED BRASS NUT M6x12,5
50	VM1045B0	RIGHT UPPER LID FOR COLUMN FOR
51	VM1046B0	LEFT UPPER LID FOR COLUMN FOR
54	VM1075A1	PLASTIC CLIP TO FIX CONTACTORS
55	VM250	"COMB" TERMINAL BOARD

56	VN1000B0	MOTOR COND.5uF 200W ALB.M8 CONN.5
57	VN1025A2	FAN D=196 H=61 38 BLADES STAINLESS
58	VT1065B0	INNER GLASS 715x335x6 L.M. ELENA
59	VT1066A2	

MOD: XF185

**EXPLODED VIEW
DISEGNO ESPLOSO**

