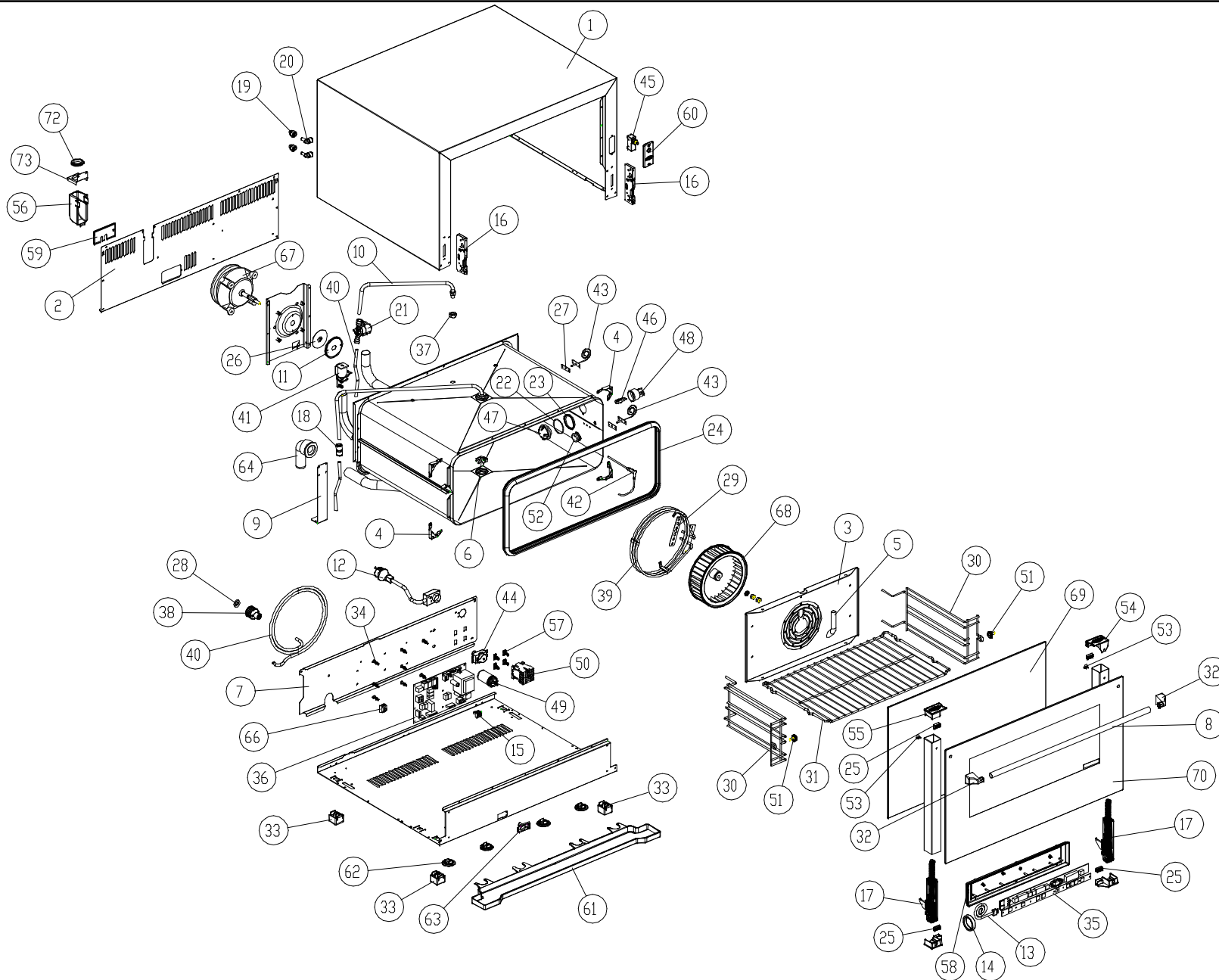


MOD: XVC104

EXPLODED VIEW DISEGNO ESPLOSO



LEGEND - LEGENDA

1	OD1435AO	56	VM1065AO
2	OF1150AO	57	VM1075A1
3	OG1160AO	59	VM1196AO
4	OH1450AO	60	VM1200AO
5	OH2305AO	61	VM1216B0
6	OH2550AO	62	VM1220AO
7	OH2605A1	63	VM1225AO
8	OH2620B0	64	VM1260AO
9	OH2850AO	66	VM250
10	OH3015AO	67	VNI000B0
11	OH3020AO	68	VNI025A2
12	CE116	69	VTI120B0
13	CE1280AO	70	VTI121A1
14	CE1285AO	72	GN1045AO
15	CE1290AO	73	OH3041AO
16	CR1000AO		
17	CR1050A1		
18	EL1055AO		
19	EL1185AO		
20	EL1195AO		
21	EL1251AO		
22	GN1055AO		
23	GN1065A1		
24	GN1110A2		
25	GN1265AO		
26	GN1140AO		
27	GN1190AO		
28	GN1200AO		
29	GN224		
30	GRL1075AO		
31	GRP805		
32	MG1015B0		
33	PD1001AO		
34	PE102		
35	PE1610AO		
36	PE1365C1		
37	RC1170A1		
38	RC1210AO		
39	RS1090A1		
40	TB008		
41	VE1135AO		
42	TR1040A1		
43	TR1045AO		
44	TR254		
45	VE1295AO		
46	VE1005A2		
47	VE1010A1		
48	VE1015A1		
49	VE221		
50	VE1115AO		
51	VII035A1		
52	VII515A1		
53	VM1025AO		
54	VM1045B0		
55	VM1046B0		

MOD: XVC104

EXPLODED VIEW DISEGNO ESPLOSO



DESCRIZIONE CODICI

1	OD1435AO	MANTELLO INOX XVC104
2	OF1150AO	SCHIENA INOX XVC104
3	OG1160AO	CARTER ARIA INOX XVC104
4	OH1450AO	ANGOLO FACCIAIA MUFFOLA INOX XB-XV-XG L.M.
5	OH2305AO	TUBO INTERNO UMIDITA D=16 Sp=1 INOX L.M.-C.T.
6	OH2550AO	TAPPO PER TUBO DI SCARICO INOX C.T.
7	OH2605A1	PROFILO PORTA COMPONENTI INOX XVC104
8	OH2620B0	TUBO MANIGLIA D-EST=18 SP=1 L=668 INOX XVC104
9	OH2850AO	STAFFA SOSTEGNO MUFFOLA INOX XVC054/104
10	OH3015AO	TUBO ESTERNO UMIDITA+RACCORDO SALDATO
11	OH3020AO	DISCO TENUTA ALBERO MOTORE INOX
12	CE116	CAVO 3x1,5 H07RN-F MTI,5+K1/3+SCHUK
13	CE1280AO	CAVO COLLEGAMENTO POTENZA CONTROLLO L=1,5 MT
14	CE1285AO	FERRITE EMI ROUND MOD. 2643801502
15	CE1290AO	MORSETTO FEMMINA ESTRAIBILE CPF 5/4
16	CR1000AO	ATTACCO CERNIERA PORTA FORNO RIBALTA L.M.
17	CR1050A1	CERNIERA PORTA FORNO RIBALTA XVC104-LM ROSSELLA
18	EL1055AO	RIDUZIONE J.G. DA D=10 A D=8 PM201008E
19	EL1185AO	RACCORDO A GOMITO J.GUEST Ø8 - Ø8
20	EL1195AO	RACCORDO A GOMITO CON J.GUEST CODOLO D8 - D8
21	EL1251AO	ELETTROVALVOLA H2O 1 VIA RID. MAR. JG IN Ø8-OUT Ø10 240V
22	GN1055AO	OR 46x2 VMQ 70 ROSSO
23	GN1065A1	GUARNIZIONE PORTALAMPADA DE=53,2 DI=44,2 SP=3,2 PTFE P
24	GN1110A2	GUARNIZIONE PORTA PROFILO 248 LINEMISS-XCH030
25	GN1265AO	GUARNIZIONE VETRO INTERNO XVC054/104
26	GN1140AO	GUARNIZIONE PORTAMOTORE STAMP. ALBERO MOT. D10 XB-X
27	GN1190AO	GUARNIZIONE SONDA DI TEMPERATURA C.T.
28	GN1200AO	GUARNIZIONE D=24 RACCORDO 3/4 GOMMA+RETE
29	GN224	GUARN.PTFE+CARB 100x22x0,8sp-c/fori 1999
30	GRL1075AO	GRIGLIA LATERALE DX/SX INOX 3 TG GN XVC054-XVC104
31	GRP805	GRIGLIA GNI/1 PIANA INOX BRILLANTATA
32	MG1015B0	TERMINALE MANIGLIA L.M.
33	PD1001AO	PIEDINO 35X35 H26 PLASTICA+GOMMA GRIGIO
34	PE102	SUPPORTO PER SCHEDA 24POT98
35	PE1610AO	ASSIEME SCHEDA CONTR. PE1355D0 + COPERCHIO CRUSCOTTO
36	PE1365C1	SCHEDA POTENZA C.T. SERIE 1 230V 50/60HZ
37	RC1170A1	DADO M14 H=8 CH=22 INOX
38	RC1210AO	RACCORDO 3/4 FEMM. - J.GUEST Ø8 CON FILTRO E VNR
39	RS1090A1	RESISTENZA CIRCOLARE D=230 3 SPIRE H78 2900W 230V
40	TB008	TUBO PE 7,93x4,75 TRASPARENTE
41	VE1135AO	ATTUATORE VENTURI 220V 50/60 Hz SERIE 2
42	TR1040A1	SONDA AL CUORE STAMPATA L=1320
43	TR1045AO	SONDA TEMPERATURA NTC 150
44	TR254	TERM.SIC.BIP.335°C RIARMO MANUALE
45	VE1295AO	MICROINTERRUTTORE PORTA MK 16A 230V UL
46	VE1005A2	LAMPADA HALOPIN ES H66733E5 33W ENERGY SAVER
47	VE1010A1	VETRO COPRILAMPADA TEMPERATO ANTISHOCK
48	VE1015A1	PORTA LAMPADA SERIE 2 PER LAMPADA ALOGENA
49	VE221	CONDENSICAR PRL 5uF 450V FASTON
50	VE1115AO	MINICONTATTORE QUADRIPOLARE 20 A 230 V
51	VI1035A1	NOTTOLINO M6x12,5 CON TAGLIO OTT.CROM.FERMA GRIGIE X
52	VI1515A1	SUPPORTO SONDA AL CUORE CON CAVA PER FILO INOX
53	VM1025AO	TAPPO NYLON PA66 V2 GRIGIO Ø16
54	VM1045B0	TAPPO SUP. DX COLONNINA PORTA VETRO INTERNO L.M.
55	VM1046B0	TAPPO SUP. SX COLONNINA PORTA VETRO INTERNO L.M.

56	VM1065AO	CUFFIA COPRI CAMINO FUMI L.M.
57	VM1075A1	CLIP DI FISSAGGIO PER TELERUTTORI
59	VM1196AO	PIASTRINA PASSAGGIO CAVI ACCESSORI C.T.
60	VM1200AO	PIASTRINA SUPPORTO MICROPORTA MECCANICO
61	VM1216B0	CASSETTO RACCOGLILOCCE XVC104/304/504/704
62	VM1220AO	CLIP FISSAGGIO CASSETTO RACCOGLILOCCE C.T.
63	VM1225AO	PIASTRINA PASSACAVO CONTROLLO ELETTRONICO C.T.
64	VM1260AO	CURVA A 90° RACCORDO SCARICO
66	VM250	MORSETT. A PETTINE
67	VN1000B0	MOTORE COND. 5uF 200W ALB. M8 CONN. 5 POLI
68	VN1025A2	VENTOLA D=196 H=61 38 PALE INOX DADO M8
69	VT1120B0	VETRO INTERNO 665X415X6 BETFL XVC104
70	VT1121A1	VETRO ESTERNO SER. 748X424X5 CTL XVC104
72	GN1045AO	GUARN.ANTIVIBR. CAMINO-SCARICO ø131-øe39,9-Sp=7,5
73	OH3041AO	PROFILO COPRICAMINO INOX XVC054/104

DESCRIPTION

1	OD1435AO	XVC104 STAINLESS STEEL COVER
2	OF1150AO	XVC104 STAINLESS STEEL BACK PANEL
3	OG1160AO	XVC104 STAINLESS STEEL FAN GUARD PANEL
4	OH1450AO	STAINLESS STEEL MUFFLE FRONT FACE ANGLE XB-XV-XG-L.M.
5	OH2305AO	INTERNAL WATER PIPE D=16 Sp=1 INOX L.M.-C.T.
6	OH2550AO	STAINLESS STEEL COVER FOR DRAIN PIPE CHEFTOP
7	OH2605A1	
8	OH2620B0	
9	OH2850AO	ZINCED MUFFLE SUPPORT BRACKET XVC054/104
10	OH3015AO	EXTERNAL WATER PIPE + WELDED CONNECTION
11	OH3020AO	STAINLESS STEEL SEALING DISC FOR MOTOR
12	CE116	EL.CABLE 3x1,5 H07RN-F MTI,5+K1/3+SCHUKO
13	CE1280AO	CABLE TO CONNECT POWER-CONTROL BOARD L=1,5 MT
14	CE1285AO	EMI ROUND FERRITE MOD.2643801502
15	CE1290AO	EXTRACTABLE FEMALE TERMINAL CPF 5/4
16	CR1000AO	HINGE LATCH L.M.
17	CR1050A1	DOOR HINGE XVC104-LM ROSSELLA
18	EL1055AO	STRAIGHT REDUCTION FROM D=10 TO D=8 J. GUEST
19	EL1185AO	ELBOW CONNECTION J. GUEST Ø8 - Ø8
20	EL1195AO	ELBOW UNION WITH J.GUEST TERMINAL D8 - D8
21	EL1251AO	ONE INLET WATER VALVE J.G.CONN. BROWN RED. Ø8-OUT Ø10
22	GN1055AO	OR 46x2 VMQ 70 RED
23	GN1065A1	SEAL FOR LAMP GLASS COVER (PURE PTFE) DE=53,2 DI=44,2 TH=
24	GN1110A2	DOOR GASKET PROFILE 248 LINE MISS-XCH030
25	GN1265AO	INTERNAL GLASS SEAL XVC054/104
26	GN1140AO	MOTOR GASKET
27	GN1190AO	CHEFTOP TEMPERATURE PROBE SEAL
28	GN1200AO	3/4 CONNECTION SEAL D=24 RUBBER+NET
29	GN224	PTFE+CARB 100x22x0,8sp-w/holes 1999 GASKET
30	GRL1075AO	RIGHT/LEFT LATERAL GRID STAINLESS STEEL 3 TRAYS XVC054-XVC
31	GRP805	GRID GNI/1 FLAT STAINLESS STEEL POLISHED
32	MG1015B0	HANDLE END L.M.
33	PD1001AO	FOOT 35X35 H26 GREY PLASTIC+RUBBER
34	PE102	SUPPORT FOR CARD 24POT98
35	PE1610AO	CONTROL BOARD PE1355 + BOARD COVER C.T. B.T.
36	PE1365C1	POWER CARD C.T. SERIE 1 230V 50/60 HZ
37	RC1170A1	STAINLESS STEEL NUT M14 H=8 CH=22
38	RC1210AO	Ø8 J.GUEST 3/4 FEMALE CONNECTION WITH FILTER+NONRETUR
39	RS1090A1	CIRC.HEAT. ELEMENT D=230 3 TURNS H78 2900W 230V
40	TB008	TRANSPARENT TUBE PE 7,93x4,75
41	VE1135AO	VENTURI ACTUATOR 220 V 50/60 Hz SERIES 2
42	TR1040A1	MOLDED CORE PROBE L=1320
43	TR1045AO	TEMPERATURE PROBE NTC 150
44	TR254	SECURITY THERMOSTAT BIP. 335°C
45	VE1295AO	DOOR MICROSWITCH MK 16A 230V UL
46	VE1005A2	
47	VE1010A1	TEMPERED LIGHT BULB GLASS COVER
48	VE1015A1	LAMP HOLDER SERIE 2 FOR HALOGEN LAMP
49	VE221	ICAR CONDENSER PRL 5uF 450V FASTON
50	VE1115AO	MINICONTACTOR WITH 4 POLES 20 A 230 V
51	VI1035A1	CHROMIUM PLATED BRASS NUT M6x12,5 TO STOP LATERAL SUP
52	VI1515A1	STAINLESS STEEL CORE PROBE SUPPORT WITH CANAL FOR CABLE
53	VM1025AO	NYLON LID PA66 V2 GRIGIO Ø16
54	VM1045B0	RIGHT UPPER LID FOR COLUMN FOR INTERNAL GLASS L.M.
55	VM1046B0	LEFT UPPER LID FOR COLUMN FOR INTERNAL GLASS L.M.

56	VM1065AO	PLASTIC COVER FOR FUMES CHIMNEY L.M.
57	VM1075A1	PLASTIC CLIP TO FIX CONTACTORS
59	VM1196AO	PASSAGE PLATE FOR ACCESSORIES CABLES CHEFTOP
60	VM1200AO	DOOR MECHANIC MICROSWITCH SUPPORT PLATE
61	VM1216B0	DRIP TRAY XVC304/504/704
62	VM1220AO	CLIP TO FIX DRIP TRAY C.T.
63	VM1225AO	PLATE WITH HOLES FOR ELECTRONIC CABLE CHEFTOP
64	VM1260AO	90° C CURVED DRAIN PIPE
66	VM250	"COMB" TERMINAL BOARD
67	VN1000B0	MOTOR COND. 5uF 200W ALB. M8 CONN. 5 TERMINALS
68	VN1025A2	FAN D=196 H=61 38 BLADES STAINLESS STEEL NUT M8
69	VT1120B0	INTERNAL GLASS 665X414X6 BETFL XVC104
70	VT1121A1	SERIGR. EXTERNAL GLASS 748X424X5 XVC104
72	GN1045AO	ANTIVIBR.SEAL FOR EX-HAUST CHIMNEY ø131-øe39,9-Sp=7,5
73	OH3041AO	STAINLESS STEEL CHIMNEY COVER XVC054/104

MOD: XVC104

**EXPLODED VIEW
DISEGNO ESPLOSO**

