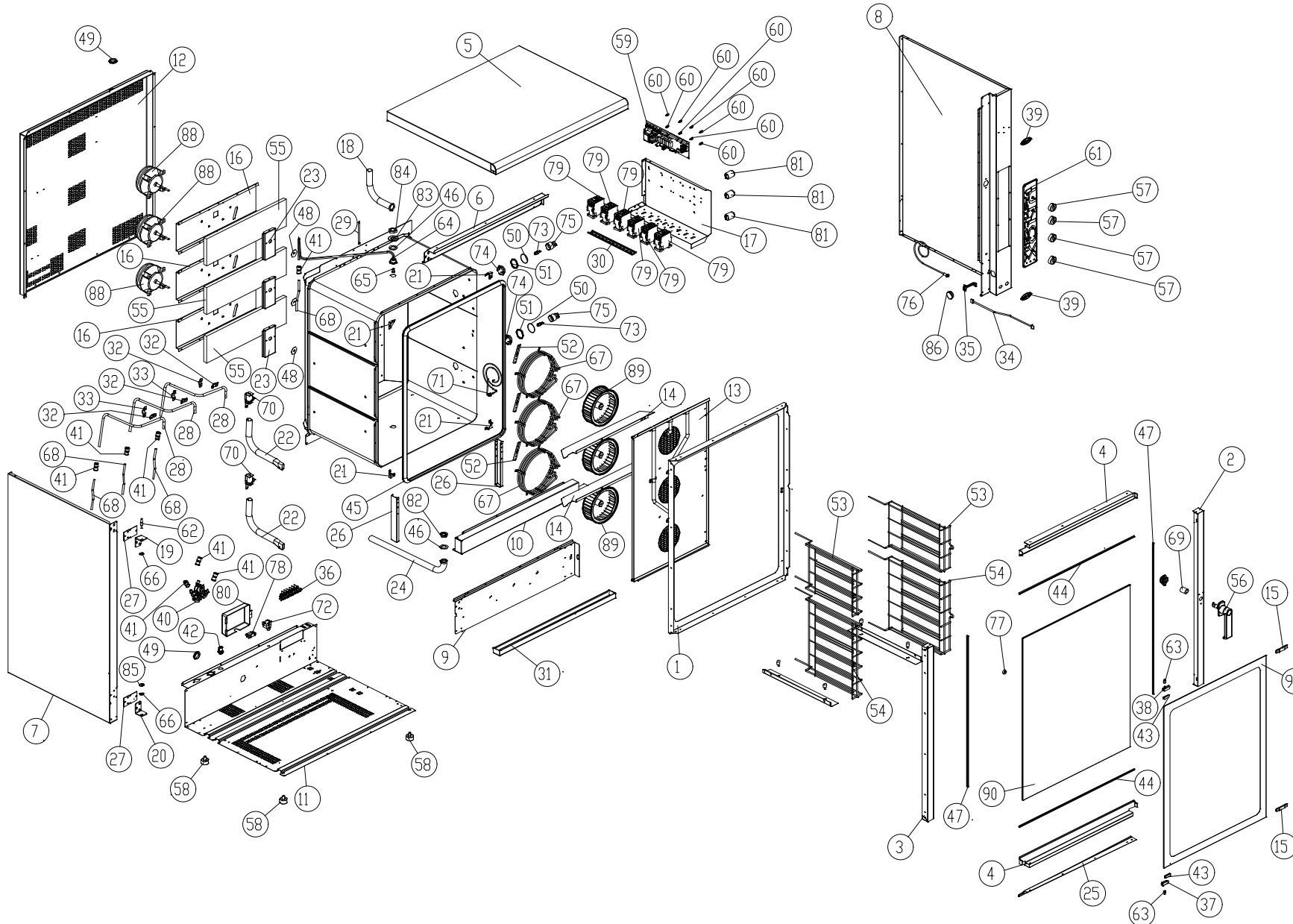


MOD: XB803

EXPLODED VIEW DISEGNO ESPLOSO



LEGEND - LEGENDA

1	OB1000A3	56	MG1000A0
2	OB1005A1	57	MN121A
3	OB1006A0	58	PD061A
4	OB1010A2	59	PE1010B1
5	OD1000B0	60	PE102
6	OD1010B0	61	PE1055B2
7	OD1060C0	62	RC1035A0
8	OD1061C0	63	RC1000B0
9	OD1075B0	64	RC1135A0
10	OD1095A1	66	RC540
11	OE1060B3	67	RS1050A0
12	OF1000C3	68	TB008
13	OG1000C2	69	TB1005A0
14	OG1005B1	70	VE1135A0
15	2H032	71	TR1005A2
16	OH2005A1	72	TR255B
17	OH1005E0	73	VE1005A1
18	OH1015A1	74	VE1010A1
19	OH1020A0	75	VE1015A1
20	OH1021A0	76	VE1020A0
21	OH1450A0	77	VE1030A1
22	OH1050A2	78	VE1075A0
24	OH1070A0	79	VE1095A0
25	OH1100A3	80	VE1100A0
26	OH1125A1	81	VE221
27	OH1140A2	82	VII030A2
28	OH1500A0	83	VII235A0
31	OM1000A2	84	VII245A0
32	2H070	85	VI524
33	2H072	86	VM1005A0
34	CE1000C0	87	VM250
35	CE1005B0	88	VNI000B0
36	CE212	89	VNI025A2
37	CR045	90	VT1000A0
38	CR046	91	VT1001A1
39	ED1070A0		
40	EL1165A0		
41	EL1055A0		
42	EL1125A0		
43	GN006A		
44	GN100		
45	GN1000B0		
46	GN1010A0		
47	GN102		
48	GN1140A0		
49	GN1045A0		
50	GN1055A0		
51	GN1065A1		
52	GN224		
53	GR1000A0		
54	GR1005A0		

MOD: XB803

EXPLODED VIEW DISEGNO ESPLOSO



DESCRIZIONE CODICI

1	OB1000A3	PORTA INTERNA INOX SERIE 800 - GAS
2	OB1005A1	COLONNINA LATERALE DX INOX XB803
3	OB1006A0	COLONNINA LATERALE SX INOX XB803
4	OB1010A2	LISTELLO SUP/INF PORTA INOX SERIE XB
5	OD1000B0	COPERCHIO INOX SERIE XB
6	OD1010B0	PROFILO SUP.INOX FACCIASTA MUFFOLA XB803
7	OD1060C0	FIANCO SX INOX XG813
8	OD1061C0	FIANCO DX INOX XG813
9	OD1075B0	SUPPORTO FRONTALE INF.MUFFOLA XG
10	OD1095A1	CRUSCOTTO COPRI FACCIASTA INFERIORE SERIE XG
11	OE1060B3	FONDO ESTERNO INOX SERIE 800
12	OF1000C3	SCHIENA INOX SERIE 800/GAS - 1000
13	OG1000C2	CARTER ARIA INOX SERIE 800 - GAS
14	OG1005B1	DIST. CARTER ARIA INOX STAND SERIE XB
15	2H032	LAMIERA FERMA PORTA FREDDA LAVATO
16	OH2005A1	PROFILO SOSTEGNO MOTORE XB603/803
17	OH1005E0	LAMIERA PORTACOMPONENTI SERIE XB-XV
18	OH1015A1	CAMINO FUMI D-EST=30 SP=1 INOX XB-XV
19	OH1020A0	STAFFA SUP. SUPPORTO PORTA
20	OH1021A0	STAFFA INFERIORE SUPP. PORTA
21	OH1450A0	ANGOLO FACCIASTA MUFFOLA INOX XB-XV-XG LM.
22	OH1050A2	TUBO VENTURI D-EST=30 SP=1 INOX XB-XV-XG
24	OH1070A0	TUBO SCARICO INOX ø30x1.5
25	OH1100A3	PROF. SALVA GOCCIA INOX SERIE XB
26	OH1125A1	STAFFA SOSTEGNO MUFFOLA SERIE XG
27	OH1140A2	CONTROSTAFFA PORTA XB-XG-XV
28	OH1500A0	TUBO ESTERNO UMIDITA' SERIE XB-XV
31	OM1000A2	CASSETTO RACCOGLI GOCCIE
32	2H070	PROFILO FERMA TUBO UMIDITA' LAVATO
33	2H072	OMEGA DOPPIO FERMATUBO UM. XV401/501/XG410
34	CE1000C0	CAVO COLL. SCHEDA POT-CONTR 4 FILI VERS. 2003 UL CSA CON
35	CE1005B0	CAVO COLLEG. SCHEDA-CONNETT.DB9F RS232 VERS. 2003
36	CE212	MORSETT. SFK/7FTW GV V0 00160593
37	CR045	CERN.DX INOX XV-XL-XB
38	CR046	CERN.SX INOX XV-XL-XB
39	ED1070A0	ETICHETTA UNOX ELLISSE 78x33 ARGENTO CON BORDO EST.
40	EL1165A0	ELETTR TRIPLA ATT. J.GUEST INCORPORATO CON RID.ROSSO TAR
41	EL1055A0	RIDUZIONE J.G. DA D=10 A D=8 PM201008E
42	EL1125A0	PASSAPARETE ø8
43	GN006A	GUARN.PORTA FREDDA A BAND. PTFE CAR/CARB Sp=1mm
44	GN100	PROFILO PORTA SIL NERO P346 XT
45	GN1000B0	GUARNIZIONE NERA 50 SHORE FORNI XB-XG-XV
46	GN1010A0	GUARN.PTFE+CARB NUOVO SCARICO ø42x28,5x2
47	GN102	PROFILO PORTA SIL NERO C121 XT
48	GN1140A0	GUARNIZIONE PORTAMOTORE STAMP. ALBERO MOT. D10 XB-X
49	GN1045A0	GUARN.LANTIVIBR. CAMINO-SCARICO ø131-øe39,9-Sp=7,5
50	GN1055A0	OR 46x2 VMQ 70 ROSSO
51	GN1065A1	GUARNIZIONE PORTALAMPADA DE=53.2 DI=44.2 SP=3.2 PTFE P
52	GN224	GUARN.PTFE+CARB 100x22x0,8sp-c/fori 1999
53	GR1000A0	GRIGLIA LAT. INOX PASTICCERIA 4TG
54	GR1005A0	GRIGLIA LAT. INOX PASTICCERIA 6TG

56	MG1000A0	NUOVA MANIGLIA STANDARD
57	MN121A	MANOPOLA CON INDICE NON SERIGRAFATO '04
58	PD061A	PIEDINO M10 D=35 H=20 NERO OPACO
59	PE1010B1	SCHEDA DI POTENZA LINEA PROFESSIONAL VER. 2003.NET
60	PE102	SUPPORTO PER SCHEDA 24POT98
61	PE1055B2	CONTROLLO VERTICALE COMPLETO PASTICCERIA
62	RC1035A0	PERNO FILETTATO SUP.PORTA XB-XV-XG
63	RC1000B0	BOCCOLA INOX SUPP. VETRO STANDAR
64	RC1135A0	RACC.PORTA GIRANTE CON TUBO ØH1775A0 SALDATO
66	RC540	BOCCOLA BRONZO STAFFE SUPP. PORTA XV501
67	RS1050A0	RESISTENZA CIRCOLARE 3000W+2000W 230V INCOLOY 5 GIRI
68	TB008	TUBO PE 7,93x4,75 TRASPARENTE
69	TB1005A0	TUBO SIL. NERO 27x17 55/65 Sh
70	VE1135A0	ATTUATORE VENTURI 220V 50/60 Hz SERIE 2
71	TR1005A2	SONDA DI TEMP. CON PASSAPARETE DOPPIA SALD AISI316L
72	TR255B	TERMOSTATO SIC.+UNIPOL.330°C Ty95H L=1300mm
73	VE1005A1	LAMPADA ALOGENA 40W 230V
74	VE1010A1	VETRO COPRI LAMPADA TEMPERATO ANTISHOCK
75	VE1015A1	PORTA LAMPADA SERIE 2 PER LAMPADA ALOGENA
76	VE1020A0	MICROINTERRUTTORE PORTA MAGNETICO
77	VE1030A1	CALAMITA D=22,9mm PER MICROPORTA
78	VE1075A0	PRESSACAFO VV 268 RO
79	VE1095A0	TELERUTTORE GE 25A 230V 50/60 Hz CL01A400T6
80	VE1100A0	SCATOLA COPRI MORSETTIERA NYLON XBT/XVT
81	VE221	CONDENS.ICAR PRL 5uf 450V FASTON
82	VII030A2	TAPPO FRESATO PER NUOVO SCARICO
83	VII235A0	RONDELLA PIANA 50x28x4 INOX
84	VII245A0	DADO 3/4" H=10 INOX FISSAGGIO PORTA GIRANTE
85	VI524	RONDELLA 6x24x2 INOX
86	VM1005A0	COPRITESTA ROTONDO ABS NERO 40x2
87	VM250	MORSETT.A PETTINE
88	VNI000B0	MOTORE COND.5uf 200W ALB.M8 CONN.5 POLI
89	VNI025A2	VENTOLA D=196 H=61 38 PALE INOX DADO M8
90	VT1000A0	VETRO INT.944x764x6 TFL XB803 - XB803G
91	VT1001A1	VETRO ESTERNO SER. GIALLO 943X730X4 BETFL XB803-XG813

DESCRIPTION

1	OB1000A3	
2	OB1005A1	
3	OB1006A0	STAINLESS STEEL DOOR RIGHT LATERAL COLUMN XB803
4	OB1010A2	STAINLESS STEEL UPPER/LOWER DOOR LISTEL SERIE XB
5	OD1000B0	STAINLESS STEEL COVER SERIE XB
6	OD1010B0	
7	OD1060C0	
8	OD1061C0	
9	OD1075B0	
10	OD1095A1	BOTTOM PANEL SERIE XG
11	OE1060B3	
12	OF1000C3	STAINLESS STEEL BACK PANEL 800/GAS - 1000
13	OG1000C2	STAINLESS STEEL FAN GUARD SERIE 800 - GAS
14	OG1005B1	
15	2H032	WASHED METAL HOLDER FOR COOL DOOR
16	OH2005A1	MOTOR SUPPORT PROFILE XB603/803
17	OH1005E0	
18	OH1015A1	
19	OH1020A0	UPPER BRACKET TO HOLD THE DOOR
20	OH1021A0	LOWER BRACKET TO HOLD THE DOOR
21	OH1450A0	STAINLESS STEEL MUFFLE FRONT FACE ANGLE XB-XV-XG-LM.
22	OH1050A2	
24	OH1070A0	STAINLESS STEEL DRAIN PIPE ø30x1.5
25	OH1100A3	
26	OH1125A1	
27	OH1140A2	DOOR COUNTERSTIRRUP XB-XG-XV
28	OH1500A0	EXTERNAL HUMIDITY TUBE NEW LINE STAND
31	OM1000A2	DRIP TRAY
32	2H070	WASHED PROFILE TO HOLD HUMIDITY TUBE
33	2H072	DOUBLE BRACKET TO FIX WATER PIPE XV401/501/XG410
34	CE1000C0	CONNECTION CABLE POWER - CONTROL CARD 4 WIRES VERS. 20
35	CE1005B0	CONNECTION CABLE CONTROL-CONNETT.DB9F RS 232 VERS. 20
36	CE212	TERMINAL BOARD SFK/7FTW GV V0 00160593
37	CR045	RIGHT STAINLESS STEEL HINGE XV-XL-XB
38	CR046	LEFT STAINLESS STEEL HINGE XV-XL-XB
39	ED1070A0	UNOX ELLIPTICAL STICKER 78x33-SILVER WITH EXTERNAL FRAME
40	EL1165A0	3 INLETS WATER ELECTROVALVE + J.G. CONN. INCLW/ RED CALR
41	EL1055A0	J.G. REDUCTION FROM D=10 TO D=8 PM201008E
42	EL1125A0	WALL PASSING SEAL Ø8
43	GN006A	COLD DOOR SEAL PTFE CAR/CARB Thickness=1mm
44	GN100	DOOR BLACK SEAL P346 XT
45	GN1000B0	BLACK DOOR SEAL 50 SHORE OVENS XB-XG-XV
46	GN1010A0	SEAL PTFE+CARB NEW DRAIN ø42x28,5x2
47	GN102	BLACK SILICON DOOR PROFILE C121 XT
48	GN1140A0	MOTOR GASKET
49	GN1045A0	ANTIVIBR.SEAL FOR EXHAUST CHIMNEY ø131-øe39,9-Sp=7,5
50	GN1055A0	OR 46x2 VMQ 70 RED
51	GN1065A1	SEAL FOR LAMP GLASS COVER (PURE PTFE) DE=53.2 DI=44.2 TH=
52	GN224	PTFE+CARB 100x22x0,8sp-w/holes 1999 GASKET
53	GR1000A0	STAINLESS STEEL LATERAL SUPPORT 4 TRAYS 600x400
54	GR1005A0	STAINLESS STEEL LATERAL SUPPORT 6 TRAYS

56	MG1000A0	NEW STANDARD HANDLE
57	MN121A	KNOB WITH NON SERIGRAFED INDEX '04
58	PD061A	SMALL FOOT M10 D=35 H=20 BLACK OPAQUE
59	PE1010B1	PROFESSIONAL POWER CARD VER. 2003.NET
60	PE102	SUPPORT FOR CARD 24POT98
61	PE1055B2	BAKERLUX COMPLETE VERTICAL CONTROL
62	RC1035A0	THREADED DOOR TOP XB-XV-XG
63	RC1000B0	STAINLESS STEEL UPPER BUSHING FOR GLASS
64	RC1135A0	ROTOR SUPPORT CONNECTION WITH WELDED TUBE ØH1775A0
66	RC540	BRONZE BUSHING FOR STIRRUP TO HOLD DOOR XV501
67	RS1050A0	CIRC.HEAT.ELEMENT 3000W+2000W 230V INCOLOY 5 RODS
68	TB008	TRANSPARENT TUBE PE 7,93x4,75
69	TB1005A0	BLACK SILICONE PIPE 27x17 55/65 Sh
70	VE1135A0	VENTURI ACTUATOR 220 V 50/60 Hz SERIE 2
71	TR1005A2	TEMPERATE PROBE WITH WALL PASSING NUT-DOUBLE WELDING
72	TR255B	SAFETY THERMOSTAT+UNIPOL. 330°C Ty95H L=1300mm
73	VE1005A1	HALOGEN LAMP 40W
74	VE1010A1	TEMPERED LIGHT BULB GLASS COVER
75	VE1015A1	LAMP HOLDER SERIE 2 FOR HALOGEN LAMP
76	VE1020A0	MAGNETIC DOOR MICROSWITCH
77	VE1030A1	MAGNET FOR DOOR MICROSWITCH D=22,9mm
78	VE1075A0	CABLE PRESS FV 268 RO
79	VE1095A0	REMOTE CONTROL SWITCH GE 25A 230V 50/60 Hz CL01A400T6
80	VE1100A0	TERMINAL BOARD BLACK NYLON COVER XBT/XVT
81	VE221	ICAR CONDENSER PRL 5uf 450V FASTON
82	VII030A2	MILLED LID FOR NEW DRAIN PIPE
83	VII235A0	STAINLESS STEEL FLAT WASHER 50x28x4
84	VII245A0	STAINLESS STEEL 3/4" H=10 NUT TO FIX ROTATING ARM
85	VI524	STAINLESS STEEL WASHER 6x24x2
86	VM1005A0	ROUND HEAD COVER BLACK ABS 40x2
87	VM250	"COMB" TERMINAL BOARD
88	VNI000B0	MOTOR COND.5uf 200W ALB.M8 CONN.5 TERMINALS
89	VNI025A2	FAN D=196 H=61 38 BLADES STAINLESS STEEL NUT M8
90	VT1000A0	INTERNAL GLASS 944x764x6 TFL XB803 - XB803G
91	VT1001A1	EXTERNAL YELLOW SER.GLASS 943x730x4 BETFL XB803-XG813