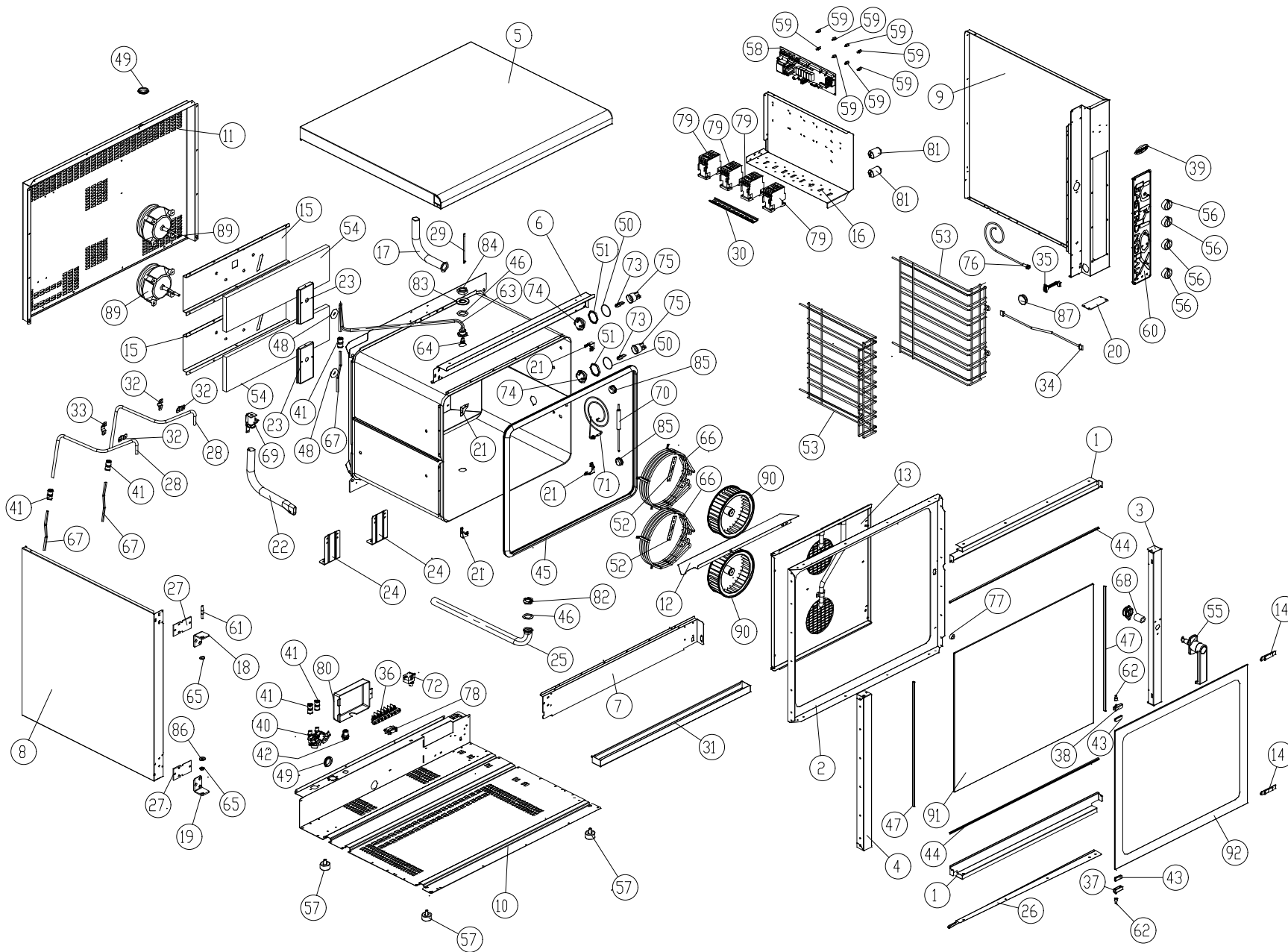


MOD: XB603G

EXPLODED VIEW DISEGNO ESPLOSO



LEGEND - LEGENDA

1	OB1010A1	56	MN121A
2	OB1015A2	57	PD061A
3	OB1020A1	58	PE1010B1
4	OB1025A0	59	PE102
5	OD1000B0	60	PE1050B0
6	OD1010A2	61	RC1035A0
7	OD1011A1	62	RC1000B0
8	OD1015B0	63	RC1135A0
9	OD1016B0	64	RC1145A0
10	OE1000C0	65	RC540
11	OF1005C0	66	RS1040A0
12	OG1005B1	67	TB008
13	OG1010A5	68	TB1005A0
14	2H032	69	VE1135A0
15	OH1000A2	70	TR1000A3
16	OH1005D0	71	TR1005A2
17	OH1015A0	72	TR255B
18	OH1020A0	73	VE1005A1
19	OH1021A0	74	VE1010A0
20	OH1030A2	75	VE1015A0
21	OH1040A0	76	VE1020A0
22	OH1050A1	77	VE1030A1
23	OH1060A0	79	VE1095A0
24	OH1065A0	80	VE1100A0
25	OH1070A0	81	VE221
26	OH1100A3	82	VII030A2
27	OH1140A2	83	VII235A0
28	OH1500A0	84	VII245A0
29	OH1650A0	85	VII151A1
30	OH1850A0	86	VI524
31	OM1000A2	87	VM1005A0
32	2H070	89	VNI000B0
33	2H072	90	VNI025A0
34	CE1000C0	91	VTI005A0
35	CE1005B0	92	VTI007A0
36	CE212		
37	CR045		
38	CR046		
39	ED1070A0		
40	EL1160A0		
41	EL1055A0		
42	EL1125A0		
43	GN006A		
44	GN100		
45	GN1000B0		
46	GN1010A0		
47	GN102		
48	GN1140A0		
49	GN1045A0		
50	GN1055A0		
51	GN1065A0		
52	GN224		
53	GRI020A1		
54	LV1000A0		
55	MG1000A0		

MOD: XB603G

EXPLODED VIEW DISEGNO ESPLOSO



DESCRIZIONE CODICI

1	OB1010A1	LISTELLO SUP/INF PORTA INOX SERIE XB
2	OB1015A2	PORTA INTERNA INOX XB603
3	OB1020A1	COLONNINA LAT. DX INOX XB603
4	OB1025A0	COLONNINA LAT. SX INOX XB603
5	OD1000B0	COPERCHIO INOX SERIE XB
6	OD1010A2	PROFILO SUP. INOX FACCIATA MUFFOLA XB803
7	OD1011A1	PROFILO INF. INOX FACCIATA MUFFOLA XB803
8	OD1015B0	FIANCO SX INOX XB603
9	OD1016B0	FIANCO DX INOX XB603
10	OE1000C0	FONDO ESTERNO INOX SERIE XB
11	OF1005C0	SCHIENA INOX XB603
12	OG1005B1	DIST. CARTER ARIA INOX STAND SERIE XB
13	OG1010A5	CARTER ARIA INOX XB603
14	2H032	LAMIERA FERMA PORTA FREDDA LAVATO
15	OH1000A2	PROFILO SOSTEGNO MOTORI SERIE XB-XG
16	OH1005D0	LAMIERA PORTACOMPONENTI
17	OH1015A0	CAMINO FUMI INOX STANDARD
18	OH1020A0	STAFFA SUP. SUPPORTO PORTA
19	OH1021A0	STAFFA INFERIORE SUPP. PORTA
20	OH1030A2	TAPPO INF. CHIUSURA CRUSCOTTI
21	OH1040A0	ANGOLO INOX FACCIATA MUFFOLA STAND
22	OH1050A1	TUBO VENTURI STANDARD
23	OH1060A0	NUOVO SUPPORTO PREMISTOPPA ZINCATO
24	OH1065A0	NUOVO SOSTEGNO MUFFOLA STANDARD
25	OH1070A0	TUBO SCARICO INOX ø30x1,5
26	OH1100A3	PROF. SALVA GOCCIA INOX SERIE XB
27	OH1140A2	CONTROSTAFFA PORTA XB-XG-XV
28	OH1500A0	TUBO EST. UMDITITA' NUOVA LINEA STAND
29	OH1650A0	TUBO COPRI BULBO TERMOSTATO DI SIC
30	OH1850A0	BARRA 2MT OMEGA PORTA
31	OM1000A2	CASSETTO RACCOGLI GOCCIE
32	2H070	PROFILO FERMA TUBO UMDITITA' LAVATO
33	2H072	OMEGA DOPPIO FERMATUBO UM. XV401/501/XG410
34	CE1000C0	CAVO COLL. SCHEDA POT-CONTR 4 FILI VERS. 2003 UL CSA CON
35	CE1005B0	CAVO COLLEG. SCHEDA-CONNETT DB9F RS232 VERS. 2003
36	CE212	MORSETT. SFK/7FTW GV V0 00160593
37	CR045	CERN.DX INOX XV-XL-XB
38	CR046	CERN.SX INOX XV-XL-XB
39	ED1070A0	ETICHETTA UNOX ELLISSE 78x33 ARGENTO CON BORDO EST.
40	EL1160A0	ELETTRO DOPPIA ATT. J.GUEST INCORPORATO CON RID.ROSSO TA
41	EL1055A0	RIDUZIONE J.G. DA D=10 A D=8 PM201008E
42	EL1125A0	PASSAPARETE ø8
43	GN006A	GUARN.PORTA FREDDA A BAND. PTFE CAR/CARB Sp=1mm
44	GN100	PROFILO PORTA SIL NERO P346 XT
45	GN1000B0	GUARNIZIONE NERA 50 SHORE FORNI XB-XG-XV
46	GN1010A0	GUAR.PTFE+CARB NUOVO SCARICO ø42x28,5x2
47	GN102	PROFILO PORTA SIL NERO C121 XT
48	GN1140A0	GUARNIZIONE PORTAMOTORE STAMP. ALBERO MOT. D10 XB-X
49	GN1045A0	GUARN.LANTVIBR. CAMINO-SCARICO ø131-øe39,9-5p=7,5
50	GN1055A0	OR 46x2 VMQ 70 ROSSO
51	GN1065A0	GUAR. (FE01)PTFE VERGINE ø53x44x4 PORTALAMP.
52	GN224	GUARN.PTFE+CARB 100x22x0,8sp-c/fori 1999
53	GR1020A1	GRIGLIA LAT. DX/SX INOX GASTR. XB 7TG
54	LV1000A0	LANA VETRO CER.D=96 567x155x19 PORTAMOTORI
55	MG1000A0	NUOVA MANIGLIA STANDARD

56	MN121A	MANOPOLA CON INDICE NON SERIGRAFATO '04
57	PD061A	PIEDINO M10 D=35 H=20 NERO OPACO
58	PE1010B1	SCHEDA DI POTENZA LINEA PROFESSIONAL VER. 2003.NET
59	PE102	SUPPORTO PER SCHEDA 24POT98
60	PE1050B0	CONTROLLO VERTICALE COMPLETO GASTRONOMIA VER. 2003
61	RC1035A0	PERNO FILETTATO SUP.PORTA XB-XV-XG
62	RC1000B0	BOCCOLA INOX SUPP. VETRO STANDARD
63	RC1135A0	RACC.PORTA GIRANTE CON TUBO OH1775A0 SALDATO
64	RC1145A0	VITE CHIUSURA FORO PORTA GIRANTE
65	RC540	BOCCOLA BRONZO STAFFE SUPP. PORTA XV501
66	RS1040A0	RES.CIRCOLARE 3200+1050W 230V D=230 Z.F. INCOLOY
67	TB008	TUBO PE 7,93x4,75 TRASPARENTE
68	TB1005A0	TUBO SIL. NERO 27x17 55/65 Sh
69	VE1135A0	ATTUATORE VENTURI 220V 50/60 Hz SERIE 2
70	TR1000A3	SONDA AL CUORE MANICO LISCIO
71	TR1005A2	SONDA DI TEMP. CON PASSAPARETE DOPPIA SALD AISI316L
72	TR255B	TERMOSTATO SIC.+UNIPOL.330°C Ty95H L=1300mm
73	VE1005A1	LAMPADA ALOGENA 40W
74	VE1010A0	VETRO PORTALAMPADA VAPORE 2002
75	VE1015A0	PORTA LAMPADA PER LAMPADA ALOGENA
76	VE1020A0	MICROINTERUTTORE PORTA MAGNETICO
77	VE1030A1	CALAMITA D=22,9mm PER MICROPORTA
79	VE1095A0	TELERUTTORE GE 25A 230V 50/60 Hz CL01A400T6
80	VE1100A0	SCATOLA COPRI MORSETTIERA SERIE PLUS
81	VE221	CONDENS.ICAR PRL 5uf 450V FASTON
82	VII030A2	TAPPO FRESATO PER NUOVO SCARICO
83	VII235A0	RONDELLA PIANA 50x28x4 INOX
84	VII245A0	DADO 3/4" H=10 INOX FISSAGGIO PORTA GIRANTE
85	VII515A1	SUPPORTO SONDA AL CUORE CON CAVA PER FILO INOX
86	VI524	RONDELLA 6x24x2 INOX
87	VM1005A0	COPRITESTA ROTONDO ABS NERO 40x2
89	VNI000B0	MOTORE COND.5uf 200W ALB.M8 CONN.5 POLI
90	VNI025A0	VENTOLE Ø196 H61 38 PALE DADO M8
91	VTI005A0	VETRO INT.764x624x6 TFL XB603-G
92	VTI007A0	VETRO EST.SER.GRIGIO 730x623x4 BETFL XB603G

DESCRIPTION

1	OB1010A1	ENG-LISTELLO SUP/INF PORTA INOX SERIE XB
2	OB1015A2	
3	OB1020A1	
4	OB1025A0	ENG-COLONNINA LAT. SX INOX XB603
5	OD1000B0	STAINLESS STEEL COVER SERIE XB
6	OD1010A2	
7	OD1011A1	ENG-PROFILO INF. INOX FACCIATA MUFFOLA XB803
8	OD1015B0	
9	OD1016B0	STAINLESS STEEL RIGHT SIDE XB603
10	OE1000C0	
11	OF1005C0	
12	OG1005B1	
13	OG1010A5	STAINLESS STEEL FAN GUARD XB603
14	2H032	WASHED METAL HOLDER FOR COOL DOOR
15	OH1000A2	ENG-PROFILO SOSTEGNO MOTORI SERIE XB-XG
16	OH1005D0	COMPONENT STAINLESS STEEL HOLDER
17	OH1015A0	STANDARD STAINLESS STEEL FUME CHIMNEY
18	OH1020A0	UPPER BRACKET TO HOLD THE DOOR
19	OH1021A0	LOWER BRACKET TO HOLD THE DOOR
20	OH1030A2	BOTTOM LID TO CLOSE CONTROL PANEL
21	OH1040A0	STAINLESS STEEL STANDARD CORNER OF FRONT PART OF CAVITY
22	OH1050A1	STANDARD VENTURI TUBE
23	OH1060A0	NEW ZINCED SUPPORT TO PUSH MOTORS
24	OH1065A0	NEW STANDARD CAVITY SUPPORT
25	OH1070A0	ENG-TUBO SCARICO INOX ø30x1.5
26	OH1100A3	
27	OH1140A2	DOOR COUNTERSTIRRUP XB-XG-XV
28	OH1500A0	EXTERNAL HUMIDITY TUBE NEW LINE STAND
29	OH1650A0	ENG-TUBO COPRI BULBO TERMOSTATO DI SIC
30	OH1850A0	
31	OM1000A2	DRIP TRAY
32	2H070	WASHED PROFILE TO HOLD HUMIDITY TUBE
33	2H072	ENG-OMEGA DOPPIO FERMATUBO UM. XV401/501/XG410
34	CE1000C0	CONNECTION CABLE POWER - CONTROL CARD 4 WIRES VERS. 20
35	CE1005B0	CONNECTION CABLE CONTROL-CONNETT.DB9F RS 232 VERS. 20
36	CE212	TERMINAL BOARD
37	CR045	RIGHT STAINLESS STEEL HINGE XV-XL-XB
38	CR046	LEFT STAINLESS STEEL HINGE XV-XL-XB
39	ED1070A0	UNOX ELLIPTICAL STICKER 78x33-SILVER WITH EXTERNAL FRAME
40	EL1160A0	WATER DOUBLE ELECTROVALVE + J.G. CONN. INCL. W/ RED CAL.
41	EL1055A0	J.G. REDUCTION FROM D=10 TO D=8 PM201008E
42	EL1125A0	WALL PASSING SEAL Ø8
43	GN006A	COLD DOOR SEAL PTFE CAR/CARB Thickness=1mm
44	GN100	DOOR BLACK SEAL P346 XT
45	GN1000B0	BLACK DOOR SEAL 50 SHORE OVENS XB-XG-XV
46	GN1010A0	SEAL PTFE+CARB NEW DRAIN ø42x28,5x2
47	GN102	BLACK SILICON DOOR PROFILE C121 XT
48	GN1140A0	MOTOR GASKET
49	GN1045A0	ANTIVIBR.SEAL FOR EX-HAUST CHIMNEY ø131-øe39,9-5p=7,5
50	GN1055A0	OR 46x2 VMQ 70 RED
51	GN1065A0	SEAL FOR LAMP GLASS COVER (FE01) VIRGIN PTFE ø53x44x4
52	GN224	PTFE+CARB 100x22x0,8sp-c/fori 1999 GASKET
53	GR1020A1	RIGHT/LEFT LAT.GRID. INOX GASTR. XB 7TG
54	LV1000A0	ENG-LANA VETRO CER.D=96 567x155x19 PORTAMOTORI
55	MG1000A0	NEW STANDARD HANDLE

56	MN121A	KNOB WITH NON SERIGRAPHED INDEX '04
57	PD061A	SMALL FOOT M10 D=35 H=20 BLACK OPAQUE
58	PE1010B1	PROFESSIONAL POWER CARD VER. 2003.NET
59	PE102	SUPPORT FOR CARD 24POT98
60	PE1050B0	COMPLETE VERTICAL CHEFLUX CONTROL VER. 2003
61	RC1035A0	ENG-PERNO FILETTATO SUP.PORTA XB-XV-XG
62	RC1000B0	ENG-BOCCOLA INOX SUPP. VETRO STANDARD
63	RC1135A0	WATER-SOAP DISTRIBUTION SYSTEM SUPPORT WITH WELDED TU
64	RC1145A0	
65	RC540	BRONZE BUSHING FOR STIRRUP TO HOLD DOOR XV501
66	RS1040A0	CIRC.HEAT. ELEMENT 3200+1050W 230V D=230 COLD AREA INC
67	TB008	TRANSPARENT TUBE PE 7,93x4,75
68	TB1005A0	BLACK SILICONE PIPE 27x17 55/65 Sh
69	VE1135A0	
70	TR1000A3	CORE TEMPERATURE CONTROL PROBE WITH SMOOTH HANDLE
71	TR1005A2	TEMPERATE PROBE WITH WALL PASSING NUT-DOUBLE WELDING
72	TR255B	SAFETY THERMOSTAT+UNIPOL. 330°C Ty95H L=1300mm
73	VE1005A1	HALOGEN LAMP 40W
74	VE1010A0	LIGHT BULB GLASS COVER (STEAM) 2002
75	VE1015A0	LAMP HOLDER FOR HALOGEN LAMP
76	VE1020A0	MAGNETIC DOOR MICROSWITCH
77	VE1030A1	MAGNET FOR DOOR MICROSWITCH D=22,9mm
79	VE1095A0	REMOTE CONTROL SWITCH GE 25A 230V 50/60 Hz CL01A400T6
80	VE1100A0	
81	VE221	ICAR CONDENSER PRL 5uf 450V FASTON
82	VII030A2	MILLED LID FOR NEW DRAIN PIPE
83	VII235A0	
84	VII245A0	
85	VII515A1	
86	VI524	STAINLESS STEEL WASHER 6x24x2
87	VM1005A0	ROUND HEAD COVER BLACK ABS 40x2
89	VNI000B0	MOTOR COND.5uf 200W ALB.M8 CONN.5 TERMINALS
90	VNI025A0	BLADE FAN Ø196x61 39 BLADES AISI316L 8/10
91	VTI005A0	INTERNAL GLASS 764x624x6 TFL XB603-G
92	VTI007A0	EXTERNAL GREY SER.GLASS 730x623x4 BETFL XB603G