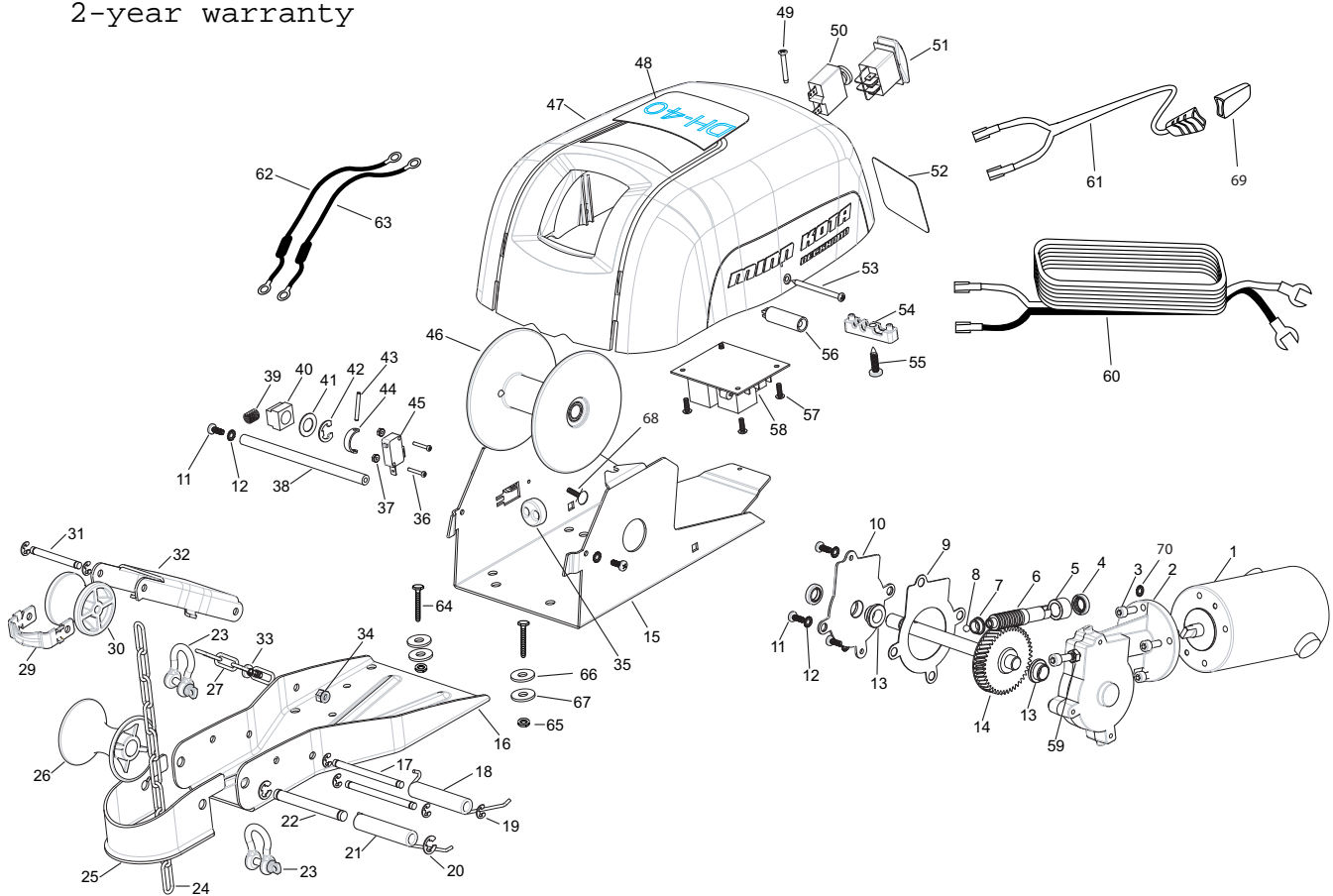


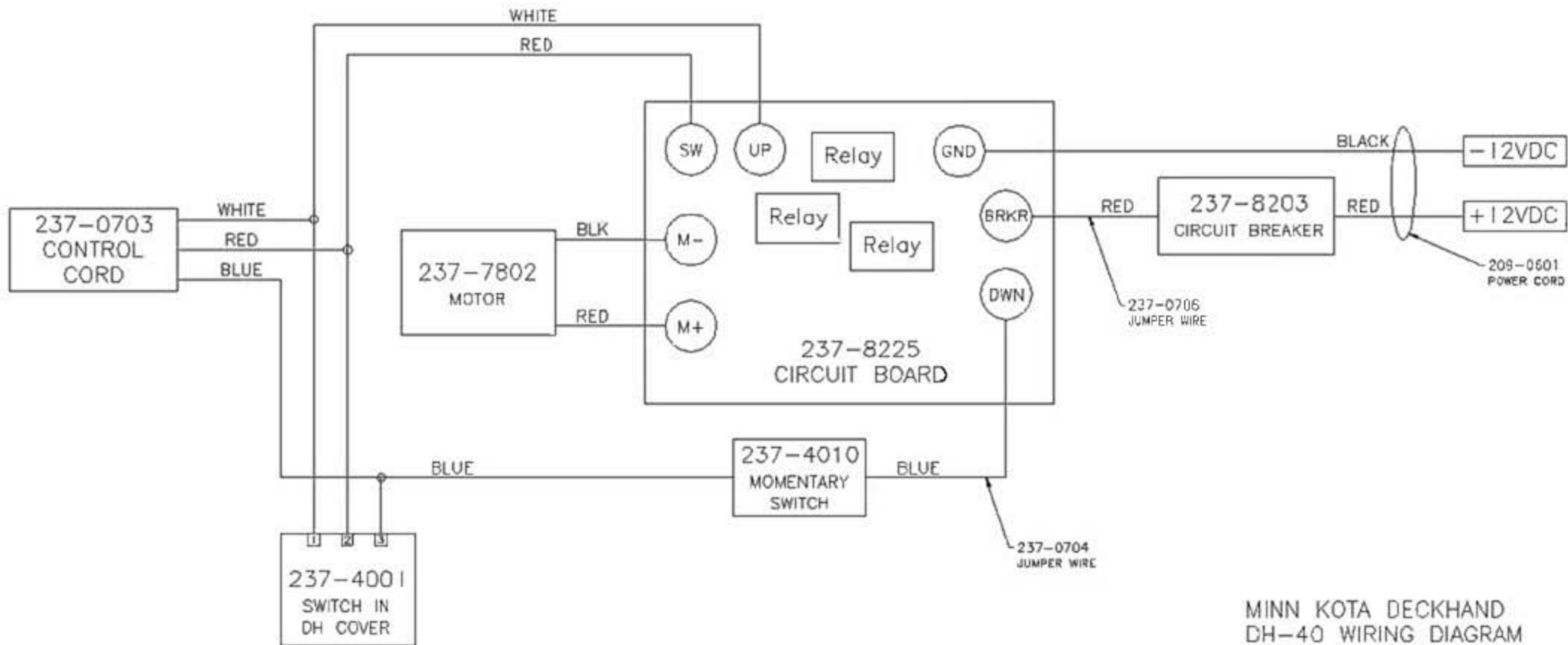
DeckHand 40
2-year warranty

for use with "P" serial numbers



Item	Part	Description			
	■	2997816	MOTOR/GEAR ASSEMBLY (Includes items 1-10,13,14)		
*1		2377802	MOTOR		
*2		2376502	GEAR BOX		
3		2373448	SCREW M6X1.0 X16mm [5 EA.]		
4		880-026	SEAL [2 EA.]		
5		2370041	BRONZE BUSHING		
*6		2372238	WORM GEAR		
7		2377300	BRONZE BUSHING 3/8" SHAFT		
*8		2376000	BALL-THRUST		
9		2376915	GASKET		
10		2376515	GEAR BOX COVER		
11		2223455	SCREW #10-32 X 1/2" [6 EA.]		
12		2261718	WASHER-#10 EXT. LW [6 EA.]		
13		2227304	BRONZE BUSHING 1/2" SHAFT [2 EA.]		
*14		2372254	GEAR SHAFT		
15		2371901	BASE		
	■	2998410	DAVIT ASSEMBLY (Includes items 16-22, 25-34)		
*16		2376505	DAVIT CHASSIS		
17		2372607	HINGE PIN [2 EA.]		
18		2372712	TORSION SPRING		
19		2013000	E-RING [6 EA.]		
20		2263010	E-RING [2 EA.]		
21		2372713	TORSION SPRING		
22		2372606	AXLE PIN		
23		2370806	SHACKLE [2 EA.]		
24		2370820	CHAIN		
25		2371613	LOWER LINE GUIDE		
26		2372311	ROLLER-LARGE		
27		2370801	SAFETY LANYARD		
29		2371614	UPPER LINE GUIDE		
30		2372306	ROLLER-SMALL		
31		2372601	AXLE PIN		
32		2374210	LIFTING ARM		
33		2373402	SCREW-1/4-20X5/8"		
34		2263103	NUT- 1/4" NYLOC		
35		2373200	ROPE STOP		
36		2372130	SCREW-#4-40 X 3/4" [2 EA.]		
37		2373100	NUT-#4-40 KEPS [2 EA.]		
38		2371612	LINE GUIDE		
39		2372700	COIL SPRING		
40		2370001	SPOOL BEARING		
41		990-051	WASHER		
42		788-040	E-RING		
43		2092601	DRIVE PIN		
44		2372630	PIN KEEPER		
45		2374010	SWITCH		
46		2377901	SPOOL W/ROPE	59	2373105
47		2370202	COVER	60	2090601
48		2375505	DECAL-TOP COVER	61	2370703
49		2372123	SCREW-#8-32 X 1.25"	62	2370704
50		2378203	CIRCUIT BREAKER	63	2370706
51		2374019	SWITCH	■	2994853
52		2375504	DECAL- MFR. NOTICE	64	2153501
53		2372122	SCREW-#10-16 X 2 1/2" [2 EA.]	65	2153100
54		2222905	STRAIN RELIEF	66	2301720
55		2373446	SCREW- 1/4-20 X 1" [2.EA]	67	2151726
56		2372920	STANDOFF [2 EA.]		
57		2372100	SCREW- #8-10 X 5/8"[4 EA.]		
58		2378225	CIRCUIT BOARD ASSEMBLY		
					HEX NUT M6X1.0
					LEADWIRE
					CONTROL CORD
					JUMPER WIRE #20GA BLUE
					JUMPER WIRE #10GA RED
					BAG ASSEMBLY
					5/16" -18 BOLT [8 EA.]
					NUT- 5/16-18" [8 EA.]
					WASHER RUBBER [8 EA.]
					WASHER 5/16" [8 EA.]

* This item is part of an assembly. This item cannot be sold separately due to machining and /or assembly that is required.



MINN KOTA DECKHAND
DH-40 WIRING DIAGRAM