

Holdit



NOGA
SIMPLY SOPHISTICATED

Holdit Introduction

PROFESSIONAL VARIABLE ARM SYSTEM

Ingenious technology at the heart of your art.

Capturing the right cine or stills image is often a once-only opportunity. So it's vital you're not let down by inflexible and time-wasting equipment.

The **Holdit** Professional Variable Arm System keeps you in control.

This exclusive, market-leading range helps you manage every shot, simply and efficiently. Featuring a double-articulated, triple-jointed arm that can be locked into limitless angles, the Holdit system supports props, fill in lights, reflectors, monitors or secure any compact table-top subject.

Holdit gives you the versatility and dependability no regular bracket, clip, clamp, wire, tape or balancing act can.

Holdit is fast becoming the essential accessory for professional photographers. In fact, research tells us that once photographers have used the system, they insist on it everytime.



Lighting Heads

VERSATILITY, FLEXIBILITY & RELIABILITY

Just look at the potential lighting uses. The **Holdit** Variable Arm System gives you the facility to securely and accurately position lighting heads, reflectors, close-up props and products, making it the perfect choice for both studio and location work.

The system can be used to support lighting, positioning them left or right of the lens giving you countless angles in raising, lowering, tilting and turning. You can make subtle adjustments to shadows and eliminate microphone screen burning, all from one sturdy and dependable arm.



Monitor Cinematography

PERFECT ACCESSORY FOR MOVIE MONITORS WHILE FILMING



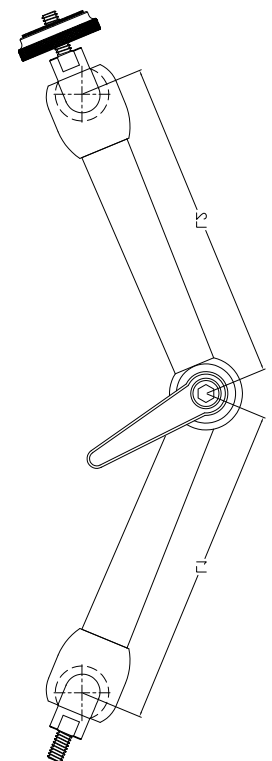
Mounted on to whatever size cine or video/DVD camera, Holdit's robust, flexible arm can hold a monitor screen in position, to give you or crew the best view of what the lens is seeing. It's the perfect tool for the film and TV industry and for video photography, and is engineered to adapt to fit an enormous range of cine/digital or DVD cameras and photographic equipment.

Apart from being raised, lowered, tilted or swung in various directions, Holdit is easily and very swiftly connected to the camera and other accessories, making it an essential accessory for the serious film-maker.

The **Holdit** Complete Set range offers the professional photographer optimum flexibility and maximum choice while shooting. Five different sizes of articulated arm are available to match an extensive range of applications, and a broad range of optional accessories is also offered. Custom-made accessories are also available upon request, with a minimum quantity of 500 units.



Order no.	Weight		Max. load		Material	Bottom length/L1		Arm L1	Top length/L2		Arm L2	Total length L1+L2	
	lb	kg	lb	kg		mm	inch	Bottom external	mm	inch	Top external	mm	inch
LC9014	0.286	0.130	4.4	2	aluminum	38	1.5	1/4"-20 Ext.	38	1.5	1/4"-20 + Nut	76	3
NF9014	0.682	0.314	6.6	3	aluminum	56	2.2	1/4"-20 Ext.	56	2.2	1/4"-20 + Nut	112	4.4
NF9038	0.682	0.314	6.6	3	aluminum	56	2.2	3/8"-16 Ext.	56	2.2	1/4"-20 + Nut	112	4.4
DG9014	0.792	0.356	8.8	4	aluminum	110	4.33	1/4"-20 Ext.	110	4.33	1/4"-20 + Nut	220	8.66
DG9038	0.792	0.356	8.8	4	aluminum	110	4.33	3/8"-16 Ext.	110	4.33	1/4"-20 + Nut	220	8.66
MG9038	1.430	0.650	11	5	aluminum	133	5.25	3/8"-16 Ext.	133	5.25	1/4"-20 + Nut	266	10.5
GR9038	2.280	1.04	13.2	6	aluminum	279	11.02	3/8"-16 Ext.	279	11.02	1/4"-20 + Nut	558	22.04



INTRODUCING THE Holdit GRIFFIN ARM: REACHING OUT TO NEW APPLICATIONS

Noga has now added the new Griffin to its highly successful range of articulated and multi-jointed photographic arms. The Griffin is the strongest and most versatile arm yet: larger, longer, tougher, and will outperform any other extended three-joint articulation arm on the market.

The Griffin arm will hold small cameras, lights, monitors and other production accessories that require extended positioning around the set-up. At the core of its design is a central mechanism that with one simple turn, instantly and simultaneously locks or releases the system's three articulated joints. You can quickly position your equipment on set, and just as swiftly modify the angle, skew or height to respond to the needs of any shooting situation. When things change on set – and they always do - you can react just as urgently.



The Griffin is comprised of two equal length arms and holds more weight than any of its rivals. It can be mounted on a light stand or any other suitable location with a grip clamp.

Specifications

Cat. No. GR2000

Top arm: 5/8" Pin Mount with 1/4" – 20 female thread.

Bottom arm: 5/8" Pin Mount with 3/8" female thread.

Extended length: 22" (55.8cm), Weight: 2.28lb (1.04kg).

Maximum load capacity when fully extended: 13.2lb (6kg).

Cat. No. MG2000

Top arm: 5/8" Pin Mount with 1/4" – 20 female thread.

Bottom arm: 5/8" Pin Mount with 3/8" female thread.

Extended length: 10.5" (26.6cm), Weight: 1.43lb (0.650 kg).

Maximum load capacity when fully extended: 11lb (5kg).

Short Joint

THE Holdit SHORT JOINT - HELPS YOU GET TO GRIPS WITH HEAVIER ACCESSORIES

The Noga Short Joint is one of a range of high-precision ball and socket devices available from Noga, which optimizes ball/socket design intelligence. Because the diameter of the ball and socket head has a significant influence on the weight an arm can carry, the Noga Short Joint has been engineered with this factor in mind, and can support up to 13.2 lbs (6 kg) - unrivalled for such a low-profile design.

One single lever action operates a unique mechanism, which provides multidirectional operation, guaranteed locking and the effortless functioning of the ball joint. The design allows the ball to swivel smoothly in all directions, while a neatly-configured groove system also allows the arm to tilt by 90° in one direction.

The 1/4" - 20 screw is angle-adjustable and locks firmly into position. The nut allows you to tighten the mount closer to the camera and the accessory.



The bottom nut tightens closer to the camera and the top nut closer to the accessory. It connects 1/4" - 20 accessories such as lights and monitors to cameras and other devices that feature hot-shoe facilities, supporting most cameras, including point and shoot versions. The mounting plate also features a rubber pad to ensure the camera is fixed in position correctly and safely.

The Noga Short Joint is turned from solid aluminum alloy on state-of-the-art CNC machinery, to ensure the highest quality of manufacture.



Cat. No. SJ1000 - with Ext. 1/4" - 20 on bottom

Cat. No. SJ1001 - with Int. 1/4" - 20 on bottom

Holdit Modular Arms

Five different sizes of articulated arms are offered for a wide range of applications:

Choose the arms that fit your needs.

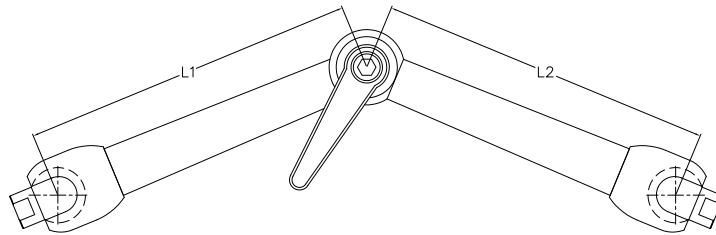
A number of accessories are shown on the next pages.

Custom-made accessories are available upon request.

Minimum order 500 pcs.



Order no.	Weight		Max. load		Material	Bottom length/L1		Arm L1 Bottom internal	Top length/L2		Arm L2 Top internal	Total length L1+L2	
	lb	kg	lb	kg		mm	inch		mm	inch		mm	inch
LC9000	0.266	0.121	4.4	2	aluminum	38	1.5	M6	38	1.5	M6	76	3
NF9000	0.440	0.210	6.6	3	aluminum	56	2.2	M6	56	2.2	M6	112	4.4
DG9000	0.550	0.250	8.8	4	aluminum	110	4.33	M6	110	4.33	M6	220	8.66
MG9000	1.140	0.520	11	5	aluminum	133	5.25	M8	133	5.25	M6	266	10.5
GR9000	2.280	1.040	13.2	6	aluminum	279	11.02	M8	279	11.02	M6	558	22.04

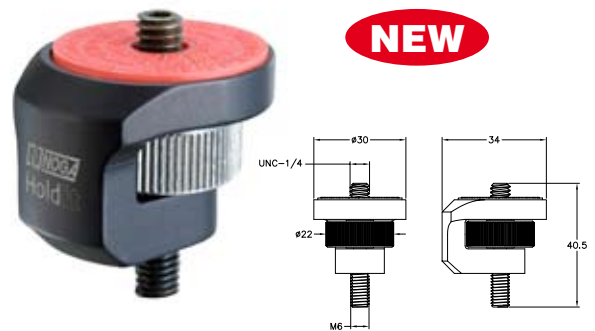


Head Adaptor

This small compact adaptor has been designed to allow easy & simple operation.

The bottom M6 screw will easily fit onto a range of **Holdit** arms.

With just 2 fingers turn the non slip wheel to quickly fasten or unfasten your camera accessories. Top thread 1/4" x 20.



Cat. No. AD5000

DESIGN REGISTRATION PENDING

Quick Release

Make a quick change to your equipment without having to fiddle with screws and threads.

Low light, tight space or with no time to lose, whatever the conditions pull back the red sleeve & slot your pre-attached mike, monitor or light into the Quick Release attachment.

Quick Release can be held by a range of **Holdit** arms.

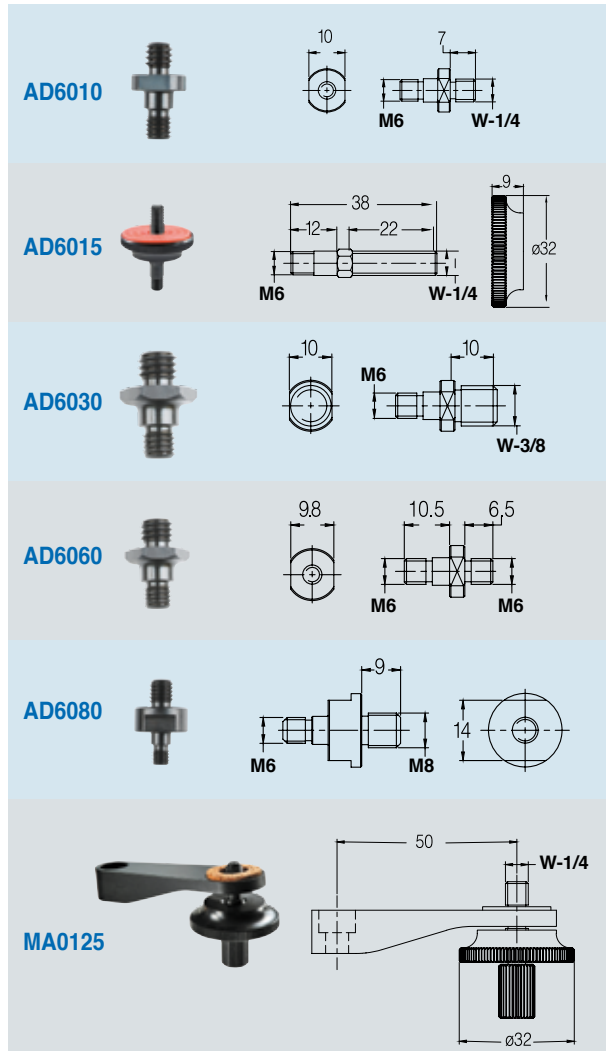


Cat. No. AD4000

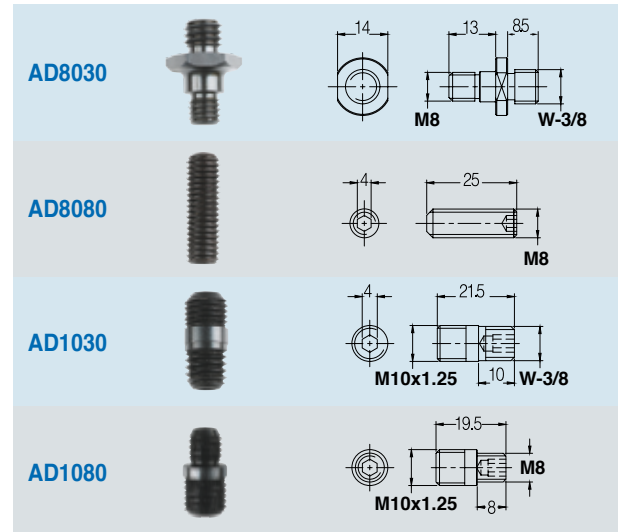
DESIGN REGISTRATION PENDING

Holdit Accessories

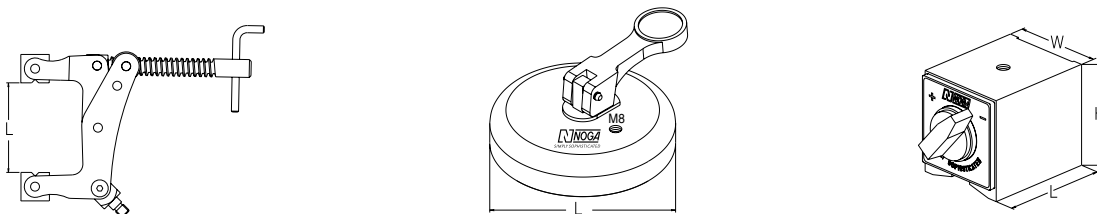
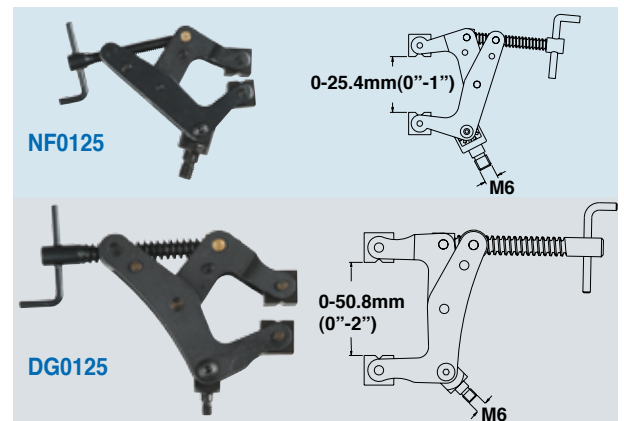
M6 ACCESSORIES



M8 + M10X1.25 ACCESSORIES



CLAMPS

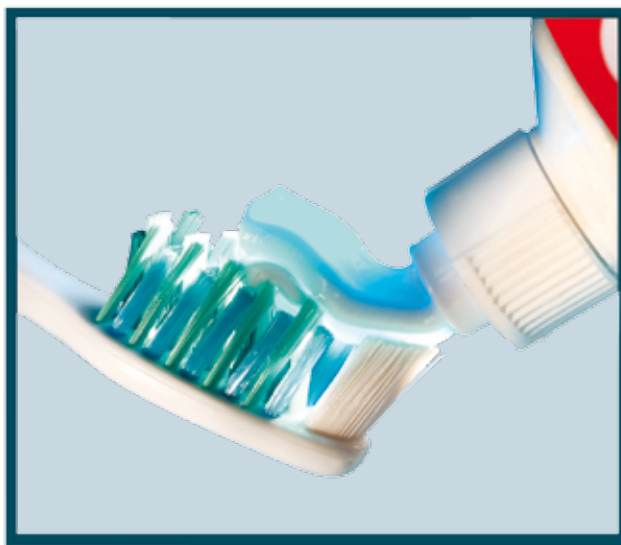


Order no.	Max. load	Weight		Force [N]	Thread	W		L		H	
	Type	kg	lb			mm	inch	mm	inch	mm	inch
DG0036	On/off magnet	1.000	2.200	800	M8	50	1.97	60	2.36	55	2.16
DG1003	On/off magnet multi thread	1.350	2.380	1000	M6/8/10/12 10 x 1.25	50	1.97	75	2.95	55	2.16
DG0040	Vacuum base	0.400	0.880	350	M8	-	-	$\phi 100$	-	-	-
MG0125	3" clamp with plastic cover	0.600	1.320	-	Int. M8	-	-	75	2.95	-	-
MG1006	3" clamp	0.570	1.254	-	Ext. M8	-	-	75	2.95	-	-
MG1003	3" clamp	0.600	1.320	-	Int. M8	-	-	75	2.95	-	-
MA0320	4" clamp	1.160	2.552	-	Int. M10 x 1.25	-	-	100	3.94	-	-

Stills Studio

Still-life photographers waste valuable time trying to position simple objects.

Though their ingenuity can be marvelled at, **Holdit** replaces any tricks with wires, sticky tapes or clamps and clips. Fast and simple, lock your objects with the professional and variable arm.



All NOGA **Holdit** products meet the strict requirements of ISO9001 and ISO14001.
NOGA reserves the right to make changes in any of its products without prior notice.

© Copyright 2013 by NOGA Engineering & Technology (2008) Ltd.

All rights reserved. No part of this publication may be reproduced, transcribed, stored in an electronic retrieval system, translated into any language or computer language, or be transmitted in any form whatsoever without the prior written consent of the publisher.



www.nogatools.nl

E-mail: info@nogatools.nl