



# Hydro-Extractors

## C240, C240R, C260, C260R, C290R

### Features and benefits

- High G-factor for extremely high dewatering ability and improved drying economy
- Suspended constructing for low noise level
- R-models with fixed drum for use in laundrettes, ships and oil-rigs
- Security devices for lid and drum rotation for improved user safety
- Interchangeable voltage for improved flexibility
- Stainless steel casing and innerdrum for improved robustness



### Options

- Payment: separate coinmeter and box, separate chip-card reader, CP connection

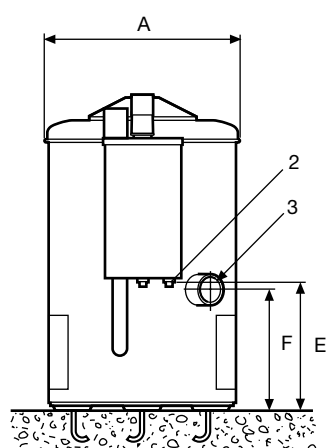
Main specifications		C240	C240R	C260	C260R	C290R
Rated capacity	kg/lb	8/18	8/18	12/26	12/26	18/40
Drum volume	litre	38	38	58	58	88
Extraction,	50 Hz	1450	1450	1450	1450	1450
	60 Hz	1740	1740	–	1740	–
G-factor,	50 Hz	440	440	575	575	705
	60 Hz	635	635	–	830	–
<b>Consumption data</b>						
Total time per extraction	min	5	5	5	5	5
Energy consumption per extraction	kWh	0.04	0.04	0.06	0.06	0.13

Certified in accordance with ISO 9001 and ISO 14001 and approved IP X4.

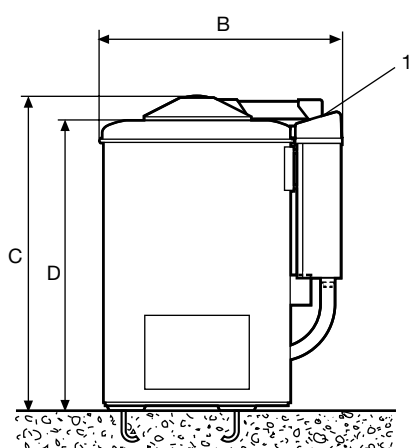


Electrical connections		C240	C240R	C260	C260R	C290R
<b>Voltage</b>						
Motor	230V 3AC 50 Hz kW(A)	0.33(10)	0.33(10)	0.33(10)	0.55(10)	0.65(16)
	208-240V 3AC 60 Hz kW(A)	0.33(10)	0.33(10)	N/A	0.55(10)	N/A
	400-415V 3N AC 50 Hz kW(A)	0.33(10)	0.33(10)	0.33(10)	0.55(10)	0.65(16)
	440V 3AC 60 Hz kW(A)	0.33(10)	0.33(10)	N/A	0.55(10)	N/A
<b>Floor requirements</b>						
Frequency of the dynamic force	Hz	25	25	25	25	25
Max floor load at extraction at 50 Hz	kN	1.0±0.10	1.0±0.25	1.4±0.15	1.9±0.4	3.0±0.6
<b>Sound level</b>						
Airborne sound level	dB(A)	<70	<70	<70	<70	<70
<b>Shipping data</b>						
	net, kg	67	91	98	126	171
	crated, kg	74	101	109	140	190
	boxed, kg	112	130	166	220	265
Shipping volume	crated, m <sup>3</sup>	0.5	0.5	0.73	0.8	1.2
	boxed, m <sup>3</sup>	0.79	0.79	0.88	0.88	1.38
<b>Dimensions in mm</b>						
<b>A</b>	Width	515	515	640	640	770
<b>B</b>	Depth	660	660	785	785	910
<b>C</b>	Height	850	910	870	980	1050
<b>D</b>		780	840	800	910	990
<b>E</b>		340	400	360	480	550
<b>F</b>		320	390	330	420	470
<b>G</b>		250	250	250	250	250
<b>H</b>		500	500	500	500	500

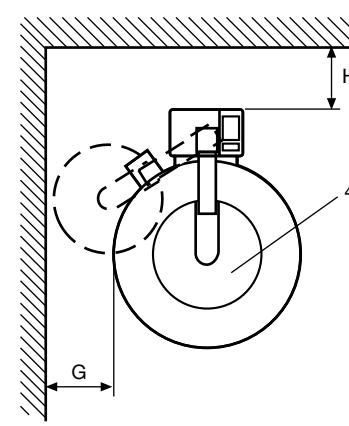
- 1 Control panel
- 2 Electrical connection
- 3 Drain ø75
- 4 Drum opening ø220 (C240/R), ø300 (C260/R), ø355 (C290/R)



Rear side



Right side



6104

Top view