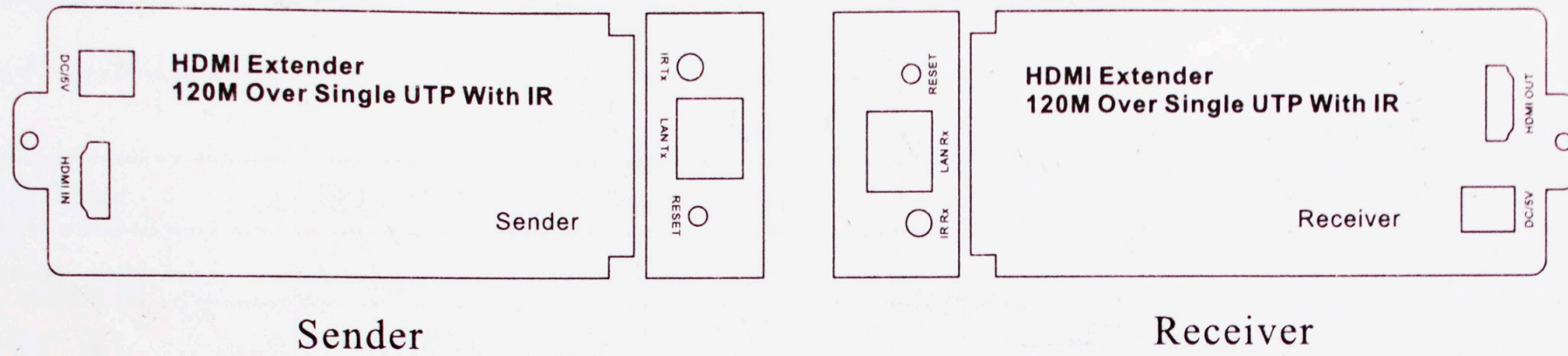
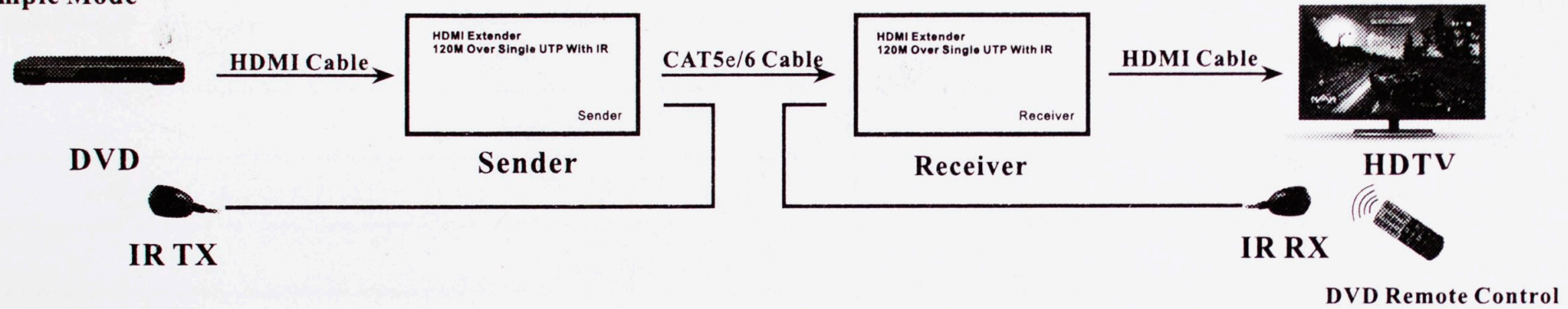


5.0 Panel Descriptions

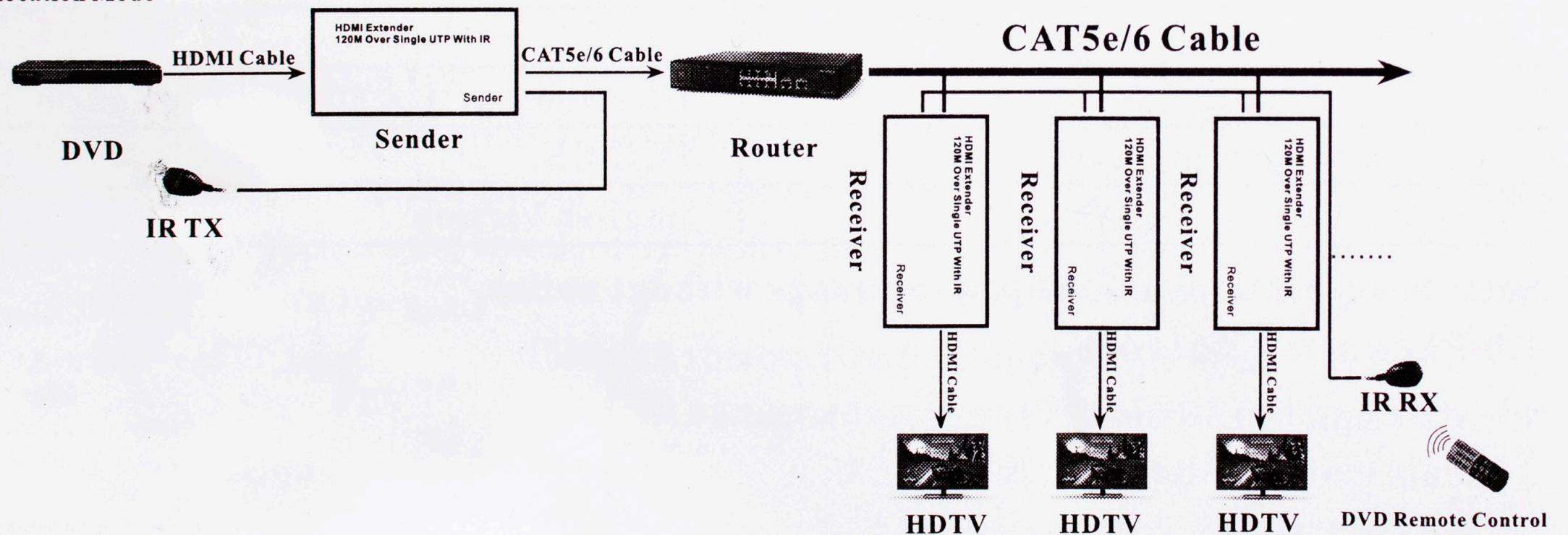


6.0 Connection And Operation

① Simple Mode



② Allocation Mode



③ Infinity Mode

