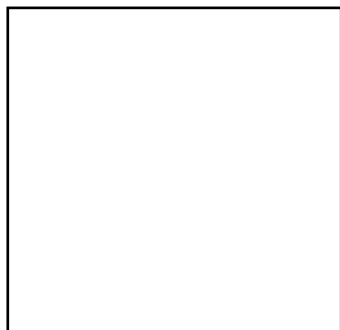
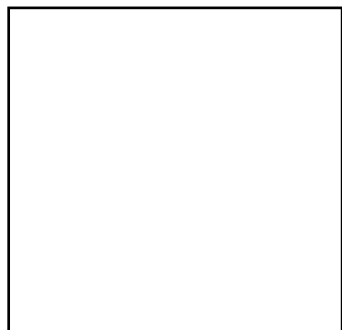
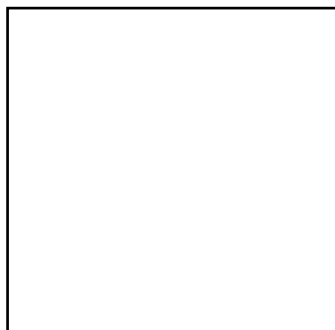
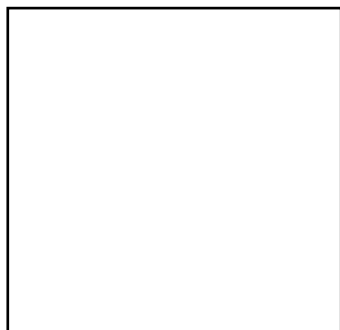
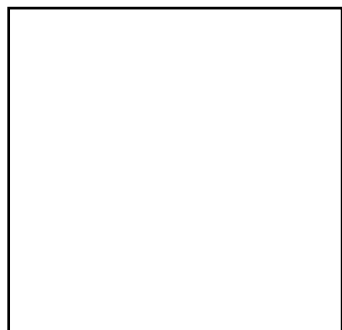




# DORIN®

*i n n o v a t i o n*



# H

**RANGE**  
**СЕРИЯ**

**2013**



**MOTOCOMPRESSORI SEMIHERMETICI**

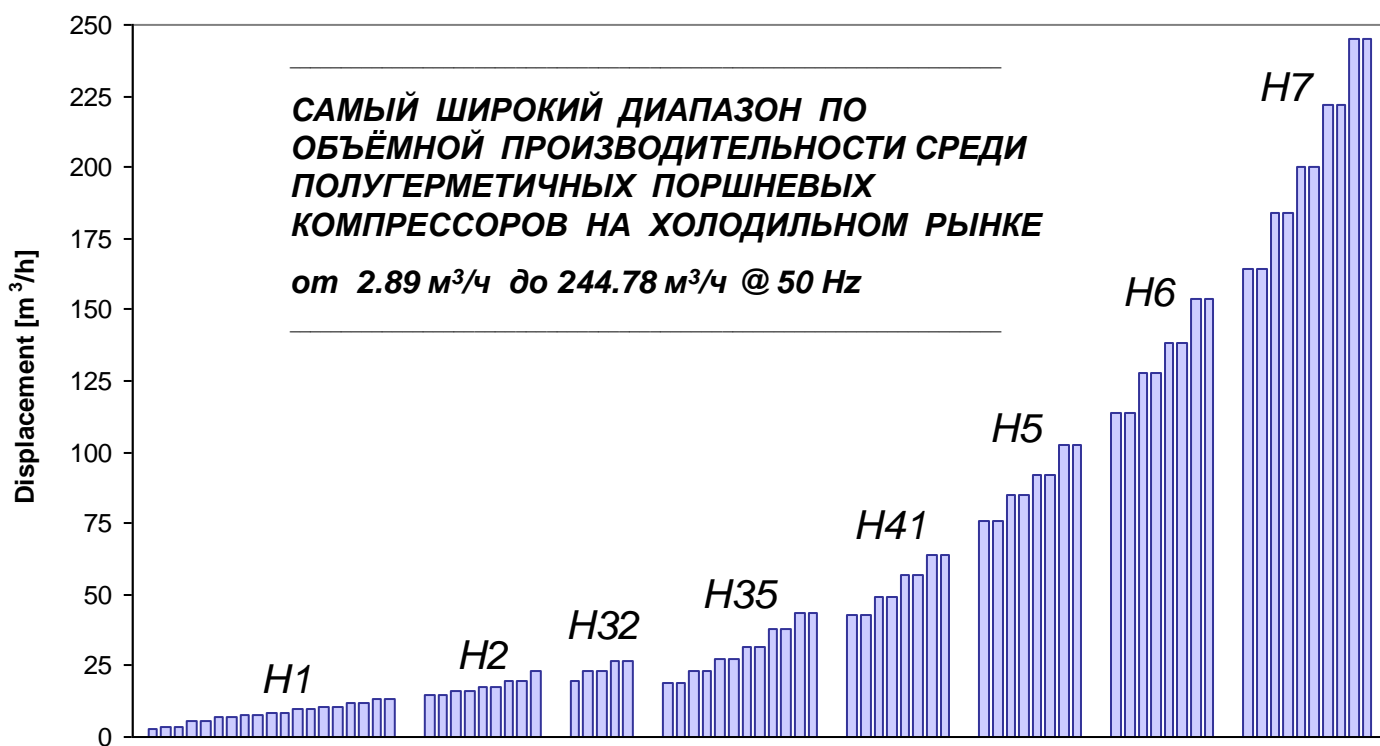
**SEMI-HERMETIC MOTOR -COMPRESSORS**

**ПОЛУГЕРМЕТИЧНЫЕ ПОРШНЕВЫЕ КОМПРЕССОРЫ**

**HALBHERMETISCHE VERDICHTER**

■	Introduzione / Introduction / Введение / Einführung	3
■	Gamma completa / Complete range / Модельный ряд / Produktpalette	4
■	Pesi e rubinetti / Weight and valves / Вес и соединения / Gewichte und Ventile	5
■	Caratteristiche tecniche / Technical data / Технические данные / Technische Merkmale	6
	Max corrente di funzionamento / Max operating current / Макс. рабочий ток / Max Betriebsstrom	6
	Corrente a rotore bloccato / Locked rotor current / Пусковой ток (с заблок. ротором) / Anlaufstrom	8
■	Accessori / Accessories / Дополнительное оборудование / Zubehör	10
■	Pressione sonora / Sound pressure / Уровень звукового давления / Schalldruckpegel	12
■	Limiti d'applicazione / Application limits / Область применения / Einsatzgrenzen	13
■	Prestazioni / Performances Data / Данные по производительности / Leistungswerte	14
	R134a	14
	R404A / R507	19
	R407C	24
■	Ingombri / Overall dimensions / Габаритные размеры / Abmessungen	27

### H RANGE



member of:



[www.asercom.org](http://www.asercom.org)

I compressori semiermetici Dorin nascono per essere la miglior risposta alle caratteristiche dei nuovi refrigeranti ed alle esigenze di mercato, ponendo in primo piano gli aspetti legati ad efficienza energetica, affidabilità e silenziosità.

La gamma copre volumi spostati da 2,89 a 244,78 m<sup>3</sup>/h, con potenze elettriche nominali da 0,5 a 90 hp.

Le principali caratteristiche della gamma presentata sono:

- elevati valori di C.O.P., ottenuti grazie all'ottimizzazione fluidodinamica dei passaggi interni, all'adozione di motori ad alta efficienza ed all'introduzione di componentistica di ultima generazione
- possibilità di funzionamento con tutti i refrigeranti più diffusi sul mercato: R404A, R134a, R407C, R507
- livelli di rumorosità estremamente contenuti
- fenomeni vibratorii limitati, tramite accurato bilanciamento delle masse
- riduzione delle pulsazioni di pressione del gas
- possibilità di azionamento a frequenza variabile
- scatola attacchi elettrici IP 65 di serie sulla totalità della gamma

La qualità dell'intera produzione Dorin è garantita dalla conformità alle norme EN ISO9001. A richiesta sono disponibili modelli certificati UL.

(Underwriters Laboratories Inc.: file n° SA11929).

Dorin semihermetic compressors are created to be even more compatible with the characteristics of new refrigerants and the demands of the market related to efficiency, reliability and low noise level.

The range covers displacements from 2,89 to 244,78 m<sup>3</sup>/h and nominal capacities from 0,5 to 90 hp.

The main characteristics of our compressors are:

- high C.O.P. values, thanks to fluidodynamic optimisation of the internal flow paths, high efficiency motors and high tech components
- suitable for all the main refrigerants available, e.g. R404A, R134a, R407C, R507
- very low noise level
- low vibrations, thanks to an optimised mass balance
- low gas pulsation
- available on request for frequency variations
- standard electrical box IP65

Dorin's manufacturing quality is granted by the certification provided in accordance with Directive EN ISO9001. On request, we are able to supply compressors complying with UL requirements.

(Underwriters Laboratories Inc.: file n° SA11929).

Полугерметичные компрессоры Dorin созданы, чтобы быть еще более адаптированы к новым хладагентам и требованиям рынка, основой которого является эффективность, надежность и низкий уровень шума.

Диапазон по объемной производительности охватывает от 2,89 до 244,78 м<sup>3</sup>/ч и номинальных мощностей эл. двигателя от 0,5 до 90 л.с.

Основные характеристики компрессоров Dorin:

- высокий холодильный коэф-т C.O.P. – обеспечивается благодаря гидродинамической оптимизации внутренней конструкции компрессора, наличию высокоэффективных эл. двигателей и высокотехнических компонентов
- адаптирован ко всем известным хладагентам, например: R404A, R134a, R407C, R507
- очень низкий уровень шума
- низкая вибрация, благодаря оптимизированной балансировке движущихся частей компрессора
- низкая газовая пульсация
- возможность поставки (по запросу) эл. двигателя с др. частотой эл. сети
- стандартная клеммная коробка IP 65

Производственная база Dorin сертифицирована согласно Европейской Директиве EN ISO9001. По запросу, мы способны снабдить компрессоры Сертификатами UL.

(Underwriters Laboratories Inc.: file n° SA11929).

Die halbhermetischen Verdichter von Dorin wurden entwickelt um den Anforderungen der neuen Kältemittel und den Markterfordernissen Rechnung zu tragen, wobei die Aspekte Energieeffizienz, Zuverlässigkeit und minimale Geräuschentwicklung im Vordergrund standen.

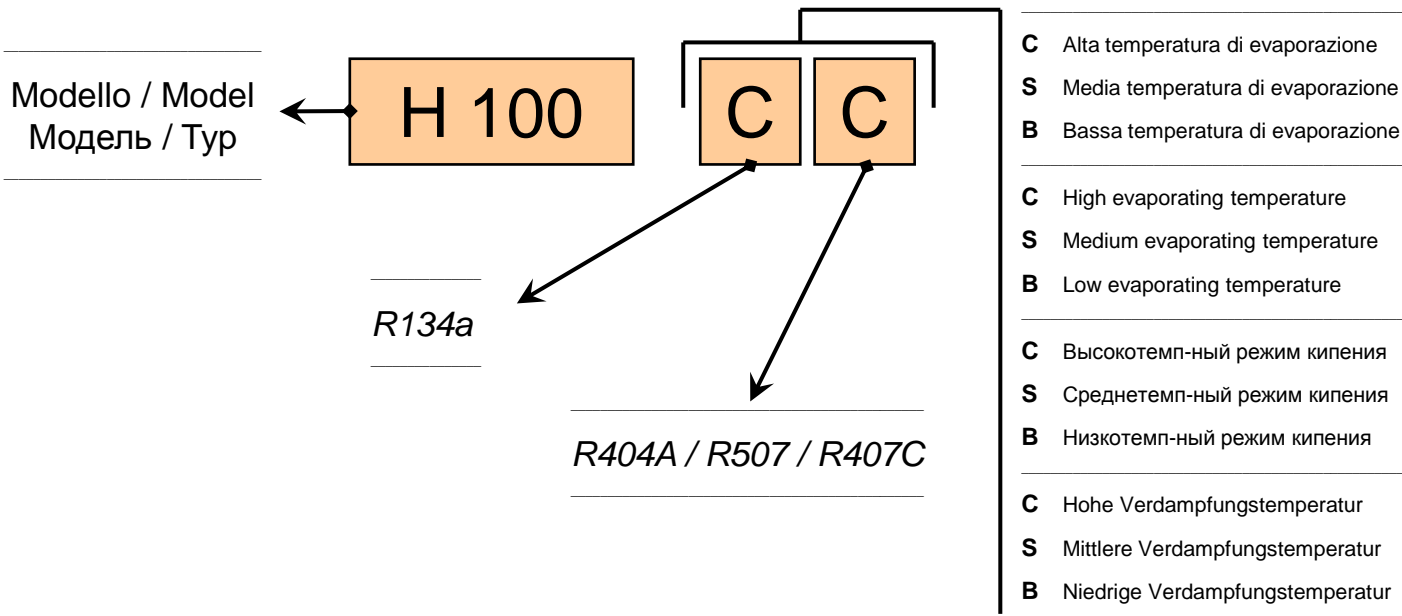
Die Baureihe deckt Fördermengen von 2,89 bis 244,78 m<sup>3</sup>/h ab bei Nennleistungen zwischen 0,5 PS und 90 PS.

Wichtigste Merkmale der vorgestellten Baureihe:

- hohe Leistungszahl (COP) dank der Optimierung der Strömungsdynamik der internen Medienleitungen, der Verwendung von Hochleistungsmotoren und der Einführung von Komponenten der neuesten Generation
- Betrieb mit allen marktgängigen Kältemitteln möglich: R404A, R134a, R407C, R507
- Extrem geringe Geräuschentwicklung
- Verringerung von Schwingungen durch optimalen Massenausgleich
- Verringerung von Gasdruckschwankungen
- Ansteuerung mit unterschiedlichen Frequenzen möglich
- Schutzart IP 65 bei fast allen Modellen der Baureihe serienmäßig

Die Qualität aller Dorin-Produkte ist gewährleistet durch ein zertifiziertes Qualitätsmanagementsystem nach EN ISO 9001. Modelle mit UL-Zulassung sind auf Anfrage lieferbar.

(Underwriters Laboratories Inc.: file n° SA11929).



Serie Range Серия Serie	Modello Model Модель Typ	Vol. Spost. Displacement Об. произв-ть Fördervolumen [m <sup>3</sup> /h]	Cilindri Cylinders Кол-во цил. Zylinder	Campo d'applicazione Application range Область применения Einsatzbereich	
				R404A / R507 R407C *	R134a
H1	H40CC	2,89	2	H	H
	H50CS	3,86	2	M	H
	H75CC	3,86	2	H	H
	H75CS	5,30	2	M	H
	H100CC	5,30	2	H	H
	H100CS	6,75	2	M	H
	H150CC	6,75	2	H	H
	H150CS	7,71	2	M	H
	H180CC	7,71	2	H	H
	H180CS	8,47	2	M	H
	H200CC	8,47	2	H	H
	H200CS	9,88	2	M	H
	H220CC	9,88	2	H	H
	H220CS	10,85	2	M	H
	H250CC	10,85	2	H	H
	H250CS	12,17	2	M	H
H280CC	12,17	2	H	H	
H280SB	13,23	2	M	H	
H280CS	13,23	2	M	H	
H2	H290CS	14,74	2	M	H
	H300CC	14,74	2	H	H
	H300CS	15,94	2	M	H
	H350CC	15,94	2	H	H
	H350SB	17,53	2	L	H
	H380CC	17,53	2	H	H
	H380SB	19,53	2	L	H
	H390CS	19,53	2	M	H
	H392CS	23,31	2	L	H
H32	H403CC	19,98	2	H	H
	H403CS	22,83	2	M	H
	H503CC	22,83	2	H	H
	H503CS	26,44	2	M	H
	H743CC	26,44	2	H	H
H35	H401CS	19,29	4	M	H
	H451CC	19,29	4	H	H
	H451CS	23,13	4	M	H
	H551CC	23,13	4	H	H
	H551CS	27,33	4	M	H
	H701CC	27,33	4	H	H
	H701CS	31,88	4	M	H
	H751CC	31,88	4	H	H
	H751CS	38,06	4	M	H
	H1002CC	38,06	4	H	H
	H801CS	43,73	4	M	H
H1003CC	43,73	4	H	H	
H41	H851CS	42,81	4	M	H
	H1201CC	42,81	4	H	H
	H1001CS	48,82	4	M	H
	H1501CC	48,82	4	H	H
	H1501CS	56,87	4	M	H
	H2001CC	56,87	4	H	H
	H1601CS	63,76	4	M	H
H2201CC	63,76	4	H	H	

Serie Range Серия Serie	Modello Model Модель Typ	Vol. Spost. Displacement Об. произв-ть Fördervolumen [m <sup>3</sup> /h]	Cilindri Cylinders Кол-во цил. Zylinder	Campo d'applicazione Application range Область применения Einsatzbereich	
				R404A / R507 R407C *	R134a
H5	H2000CS	75,83	4	M	H
	H2500CC	75,83	4	H	H
	H2500CS	85,01	4	M	H
	H3000CC	85,01	4	H	H
	H2700CS	92,25	4	M	H
	H3200CC	92,25	4	H	H
	H2900CS	102,35	4	M	H
	H3400CC	102,35	4	H	H
H6	H3000CS	113,74	6	M	H
	H3500CC	113,74	6	H	H
	H3500CS	127,52	6	M	H
	H4000CC	127,52	6	H	H
	H4000CS	138,37	6	M	H
	H4500CC	138,37	6	H	H
	H4500CS	153,52	6	M	H
	H5000CC	153,52	6	H	H
H7	H5000CS	164,30	8	M	H
	H5500CC	164,30	8	H	H
	H5500CS	184,19	8	M	H
	H6000CC	184,19	8	H	H
	H6000CS	199,86	8	M	H
	H7500CC	199,86	8	H	H
	H7501CS	221,75	8	M	H
	H8001CC	221,75	8	H	H
	H8000CS	244,78	8	M	H
H9000CC	244,78	8	H	H	

- H** Alta temperatura di evaporazione fino a +5 °C/+10 °C  
 High evaporating temperature up to +5 °C/+10 °C
- M** Media temperatura di evaporazione fino a -5 °C  
 Medium evaporating temperature up to -5 °C
- L** Bassa temperatura di evaporazione fino a -20 °C  
 Low evaporating temperature up to -20 °C
- 
- H** Высокотемп-ный режим кипения +5 °C/+10 °C
- M** Среднетемп-ный режим кипения -5 °C
- L** Низкотемп-ный режим кипения -20 °C
- 
- H** Hohe Verdampfungstemperatur bis zu +5 °C/+10 °C
- M** Mittlere Verdampfungstemperatur bis -5 °C
- L** Niedrige Verdampfungstemperatur bis -20 °C

\* Solo per modelli "CC" / "CC" models only / Только модели "CC" / Nur "CC" Modelle

Serie Range Серия Serie	Modello Model Модель Typ	Carica olio Oil charge Запр.маслом Öifüllung	Aspirazione Suction Всасывание Saugventil	Scarico Discharge Нагнетание Druckventil	Peso netto Net weight Вес нетто Nettogewicht
		[kg]	SL [mm]	DL [mm]	[kg]
H1	H40CC	1,0	12s	12s	35
	H50CS	1,0	12s	12s	35
	H75CC	1,0	12s	12s	36
	H75CS	1,0	16s	12s	36
	H100CC	1,0	16s	12s	37
	H100CS	1,0	16s	12s	37
	H150CC	1,0	16s	12s	38
	H150CS	1,0	16s	12s	38
	H180CC	1,0	16s	12s	39
	H180CS	1,0	16s	12s	39
	H200CC	1,0	16s	12s	40
	H200CS	1,0	18s	16s	40
	H220CC	1,0	18s	16s	41
	H220CS	1,0	18s	16s	41
	H250CC	1,0	18s	16s	41
	H250CS	1,0	18s	16s	41
	H280CC	1,0	18s	16s	43
	H280SB	1,0	18s	16s	44
H280CS	1,0	18s	16s	44	
H2	H290CS	1,4	22s	16s	54
	H300CC	1,4	22s	16s	54
	H300CS	1,4	28s	16s	54
	H350CC	1,4	28s	16s	54
	H350SB	1,4	28s	16s	54
	H380CC	1,4	28s	16s	56
	H380SB	1,4	28s	16s	56
	H390CS	1,4	28s	16s	56
	H392CS	1,4	28s	16s	56
H32	H403CC	2,0	28s	16s	75
	H403CS	2,0	28s	16s	76
	H503CC	2,0	28s	16s	79
	H503CS	2,0	35s	16s	80
	H743CC	2,0	35s	16s	81
H35	H401CS	2,0	22s	18s	89
	H451CC	2,0	22s	18s	91
	H451CS	2,0	28s	18s	89
	H551CC	2,0	28s	18s	91
	H551CS	2,0	28s	22s	91
	H701CC	2,0	28s	22s	91
	H701CS	2,0	28s	22s	91
	H751CC	2,0	28s	22s	91
	H751CS	2,0	35s	22s	91
	H1002CC	2,0	35s	22s	101
	H801CS	2,0	35s	22s	91
H1003CC	2,0	35s	22s	101	
H41	H851CS	2,5	35s	28s	125
	H1201CC	2,5	35s	28s	130
	H1001CS	2,5	35s	28s	127
	H1501CC	2,5	42s	28s	131
	H1501CS	2,5	35s	28s	127
	H2001CC	2,5	42s	28s	131
	H1601CS	2,5	42s	28s	134
H2201CC	2,5	42s	28s	136	

Serie Range Серия Serie	Modello Model Модель Typ	Carica olio Oil charge Запр.маслом Öifüllung	Aspirazione Suction Всасывание Saugventil	Scarico Discharge Нагнетание Druckventil	Peso netto Net weight Вес нетто Nettogewicht
		[kg]	SL [mm]	DL [mm]	[kg]
H5	H2000CS	3,5	42s	28s	190
	H2500CC	3,5	54s	28s	185
	H2500CS	3,5	54s	28s	185
	H3000CC	3,5	54s	28s	199
	H2700CS	3,5	54s	35s	200
	H3200CC	3,5	54s	35s	205
	H2900CS	3,5	54s	35s	205
	H3400CC	3,5	54s	35s	205
	H6	H3000CS	3,5	54s	35s
H3500CC		3,5	54s	35s	246
H3500CS		3,5	54s	35s	233
H4000CC		3,5	54s	35s	249
H4000CS		3,5	54s	42s	244
H4500CC		3,5	54s	42s	252
H4500CS		3,5	54s	42s	253
H5000CC		3,5	54s	42s	253
H7	H5000CS	8,5	66s	42s	350
	H5500CC	8,5	66s	42s	355
	H5500CS	8,5	80s	42s	350
	H6000CC	8,5	80s	42s	355
	H6000CS	8,5	80s	42s	355
	H7500CC	8,5	80s	42s	357
	H7501CS	8,5	80s	54s	355
	H8001CC	8,5	80s	54s	357
	H8000CS	8,5	80s	54s	360
H9000CC	8,5	80s	54s	366	

Serie Range Серия Serie	Modello Model Модель Typ	Vol. Spost. Displacement Об. произв-ть Fördervolumen		Max corrente di funzionamento / Max operating current Макс. рабочий ток / Max Betriebsstrom V / ph / Hz - В / ф / Гц [A]																																																																																																																																																																																																																																																																																																																																																																																																																																																																																																																																																																																																																																																																																																																																																																
		50 Hz [m <sup>3</sup> /h]	60 Hz [m <sup>3</sup> /h]	220-240 / 1 / 50	208-230 / 1 / 60	115 / 1 / 60	220-240 / 3 / 50 265-290 / 3 / 60 Δ	380-420 / 3 / 50 440-480 / 3 / 60 Y	208-230 / 3 / 60 Δ	360-400 / 3 / 60 Y	200 / 3 / 150-60 Δ	380-420 / 3 / 50 440-480 / 3 / 60 PWS	220-240 / 3 / 50 PWS	208-230 / 3 / 60 PWS	360-400 / 3 / 60 PWS	475-525 / 3 / 50 570-630 / 3 / 60																																																																																																																																																																																																																																																																																																																																																																																																																																																																																																																																																																																																																																																																																																																																																				
		<table border="1"> <tr><td rowspan="16">H1</td><td>H40CC</td><td>2,89</td><td>3,47</td><td>6,0</td><td>7,2</td><td>14,4</td><td>3,1</td><td>1,8</td><td>3,7</td><td>2,2</td><td>4,3</td><td>-</td><td>-</td><td>-</td><td>-</td><td>1,4</td></tr> <tr><td>H50CS</td><td>3,86</td><td>4,63</td><td>6,0</td><td>7,2</td><td>14,4</td><td>3,1</td><td>1,8</td><td>3,7</td><td>2,2</td><td>4,3</td><td>-</td><td>-</td><td>-</td><td>-</td><td>1,4</td></tr> <tr><td>H75CC</td><td>3,86</td><td>4,63</td><td>7,5</td><td>9,0</td><td>21,5</td><td>4,2</td><td>2,4</td><td>5,0</td><td>2,9</td><td>5,7</td><td>-</td><td>-</td><td>-</td><td>-</td><td>1,9</td></tr> <tr><td>H75CS</td><td>5,30</td><td>6,36</td><td>7,5</td><td>9,0</td><td>21,5</td><td>4,2</td><td>2,4</td><td>5,0</td><td>2,9</td><td>5,7</td><td>-</td><td>-</td><td>-</td><td>-</td><td>1,9</td></tr> <tr><td>H100CC</td><td>5,30</td><td>6,36</td><td>9,0</td><td>10,8</td><td>24,0</td><td>5,0</td><td>2,9</td><td>6,0</td><td>3,5</td><td>6,9</td><td>-</td><td>-</td><td>-</td><td>-</td><td>2,3</td></tr> <tr><td>H100CS</td><td>6,75</td><td>8,10</td><td>9,0</td><td>10,8</td><td>24,0</td><td>5,0</td><td>2,9</td><td>6,0</td><td>3,5</td><td>6,9</td><td>-</td><td>-</td><td>-</td><td>-</td><td>2,3</td></tr> <tr><td>H150CC</td><td>6,75</td><td>8,10</td><td>13,5</td><td>16,2</td><td>32,5</td><td>5,9</td><td>3,4</td><td>7,1</td><td>4,1</td><td>8,1</td><td>-</td><td>-</td><td>-</td><td>-</td><td>2,7</td></tr> <tr><td>H150CS</td><td>7,71</td><td>9,25</td><td>13,5</td><td>16,2</td><td>32,5</td><td>5,9</td><td>3,4</td><td>7,1</td><td>4,1</td><td>8,1</td><td>-</td><td>-</td><td>-</td><td>-</td><td>2,7</td></tr> <tr><td>H180CC</td><td>7,71</td><td>9,25</td><td>15,0</td><td>18,0</td><td>-</td><td>7,6</td><td>4,4</td><td>9,1</td><td>5,3</td><td>10,5</td><td>-</td><td>-</td><td>-</td><td>-</td><td>3,5</td></tr> <tr><td>H180CS</td><td>8,47</td><td>10,16</td><td>15,0</td><td>18,0</td><td>-</td><td>7,6</td><td>4,4</td><td>9,1</td><td>5,3</td><td>10,5</td><td>-</td><td>-</td><td>-</td><td>-</td><td>3,5</td></tr> <tr><td>H200CC</td><td>8,47</td><td>10,16</td><td>15,0</td><td>18,0</td><td>-</td><td>10,4</td><td>6,0</td><td>12,5</td><td>7,2</td><td>14,4</td><td>-</td><td>-</td><td>-</td><td>-</td><td>4,8</td></tr> <tr><td>H200CS</td><td>9,88</td><td>11,86</td><td>15,0</td><td>18,0</td><td>-</td><td>7,6</td><td>4,4</td><td>9,1</td><td>5,3</td><td>10,5</td><td>-</td><td>-</td><td>-</td><td>-</td><td>3,5</td></tr> <tr><td>H220CC</td><td>9,88</td><td>11,86</td><td>19,0</td><td>23,0</td><td>-</td><td>10,4</td><td>6,0</td><td>12,5</td><td>7,2</td><td>14,4</td><td>-</td><td>-</td><td>-</td><td>-</td><td>4,8</td></tr> <tr><td>H220CS</td><td>10,85</td><td>13,02</td><td>19,0</td><td>23,0</td><td>-</td><td>10,4</td><td>6,0</td><td>12,5</td><td>7,2</td><td>14,4</td><td>-</td><td>-</td><td>-</td><td>-</td><td>4,8</td></tr> <tr><td>H250CC</td><td>10,85</td><td>13,02</td><td>19,0</td><td>23,0</td><td>-</td><td>12,6</td><td>7,3</td><td>15,1</td><td>8,7</td><td>17,4</td><td>-</td><td>-</td><td>-</td><td>-</td><td>5,8</td></tr> <tr><td>H250CS</td><td>12,17</td><td>14,60</td><td>19,0</td><td>23,0</td><td>-</td><td>10,4</td><td>6,0</td><td>12,5</td><td>7,2</td><td>14,4</td><td>-</td><td>-</td><td>-</td><td>-</td><td>4,8</td></tr> <tr><td>H280CC</td><td>12,17</td><td>14,60</td><td>21,0</td><td>25,0</td><td>-</td><td>12,6</td><td>7,3</td><td>15,1</td><td>8,7</td><td>17,4</td><td>-</td><td>-</td><td>-</td><td>-</td><td>5,8</td></tr> <tr><td>H280SB</td><td>13,23</td><td>15,87</td><td>-</td><td>-</td><td>-</td><td>10,4</td><td>6,0</td><td>12,5</td><td>7,2</td><td>14,4</td><td>-</td><td>-</td><td>-</td><td>-</td><td>4,8</td></tr> <tr><td>H280CS</td><td>13,23</td><td>15,87</td><td>-</td><td>-</td><td>-</td><td>12,6</td><td>7,3</td><td>15,1</td><td>8,7</td><td>17,4</td><td>-</td><td>-</td><td>-</td><td>-</td><td>5,8</td></tr> <tr><td rowspan="8">H2</td><td>H290CS</td><td>14,74</td><td>17,69</td><td>-</td><td>-</td><td>-</td><td>12,9</td><td>7,5</td><td>15,5</td><td>8,9</td><td>17,8</td><td>-</td><td>-</td><td>-</td><td>-</td><td>6,0</td></tr> <tr><td>H300CC</td><td>14,74</td><td>17,69</td><td>-</td><td>-</td><td>-</td><td>16,2</td><td>9,4</td><td>19,4</td><td>11,2</td><td>22,5</td><td>-</td><td>-</td><td>-</td><td>-</td><td>7,5</td></tr> <tr><td>H300CS</td><td>15,94</td><td>19,13</td><td>-</td><td>-</td><td>-</td><td>12,9</td><td>7,5</td><td>15,5</td><td>8,9</td><td>17,8</td><td>-</td><td>-</td><td>-</td><td>-</td><td>6,0</td></tr> <tr><td>H350CC</td><td>15,94</td><td>19,13</td><td>-</td><td>-</td><td>-</td><td>16,2</td><td>9,4</td><td>19,4</td><td>11,2</td><td>22,5</td><td>-</td><td>-</td><td>-</td><td>-</td><td>7,5</td></tr> <tr><td>H350SB</td><td>17,53</td><td>21,04</td><td>-</td><td>-</td><td>-</td><td>12,9</td><td>7,5</td><td>15,5</td><td>8,9</td><td>17,8</td><td>-</td><td>-</td><td>-</td><td>-</td><td>6,0</td></tr> <tr><td>H380CC</td><td>17,53</td><td>21,04</td><td>-</td><td>-</td><td>-</td><td>16,2</td><td>9,4</td><td>19,4</td><td>11,2</td><td>22,5</td><td>-</td><td>-</td><td>-</td><td>-</td><td>7,5</td></tr> <tr><td>H380SB</td><td>19,53</td><td>23,43</td><td>-</td><td>-</td><td>-</td><td>12,9</td><td>7,5</td><td>15,5</td><td>8,9</td><td>17,8</td><td>-</td><td>-</td><td>-</td><td>-</td><td>6,0</td></tr> <tr><td>H390CS</td><td>19,53</td><td>23,43</td><td>-</td><td>-</td><td>-</td><td>16,2</td><td>9,4</td><td>19,4</td><td>11,2</td><td>22,5</td><td>-</td><td>-</td><td>-</td><td>-</td><td>7,5</td></tr> <tr><td>H392CS</td><td>23,31</td><td>27,97</td><td>-</td><td>-</td><td>-</td><td>19,5</td><td>11,3</td><td>23,5</td><td>13,5</td><td>27,0</td><td>-</td><td>-</td><td>-</td><td>-</td><td>9,0</td></tr> <tr><td rowspan="5">H32</td><td>H403CC</td><td>19,98</td><td>23,98</td><td>-</td><td>-</td><td>-</td><td>18,1</td><td>10,5</td><td>21,5</td><td>12,6</td><td>25,0</td><td>10,5</td><td>18,1</td><td>21,5</td><td>12,6</td><td>8,4</td></tr> <tr><td>H403CS</td><td>22,83</td><td>27,40</td><td>-</td><td>-</td><td>-</td><td>18,1</td><td>10,5</td><td>21,5</td><td>12,6</td><td>25,0</td><td>10,5</td><td>18,1</td><td>21,5</td><td>12,6</td><td>8,4</td></tr> <tr><td>H503CC</td><td>22,83</td><td>27,40</td><td>-</td><td>-</td><td>-</td><td>22,5</td><td>12,9</td><td>27,0</td><td>15,5</td><td>31,0</td><td>12,9</td><td>22,5</td><td>27,0</td><td>15,5</td><td>10,3</td></tr> <tr><td>H503CS</td><td>26,44</td><td>31,73</td><td>-</td><td>-</td><td>-</td><td>22,5</td><td>12,9</td><td>27,0</td><td>15,5</td><td>31,0</td><td>12,9</td><td>22,5</td><td>27,0</td><td>15,5</td><td>10,3</td></tr> <tr><td>H743CC</td><td>26,44</td><td>31,73</td><td>-</td><td>-</td><td>-</td><td>29,0</td><td>16,7</td><td>34,5</td><td>20,0</td><td>40,0</td><td>16,7</td><td>29,0</td><td>34,5</td><td>20,0</td><td>13,4</td></tr> <tr><td rowspan="12">H35</td><td>H401CS</td><td>19,29</td><td>23,14</td><td>-</td><td>-</td><td>-</td><td>18,1</td><td>10,5</td><td>21,5</td><td>12,6</td><td>25,0</td><td>10,5</td><td>18,1</td><td>21,5</td><td>12,6</td><td>8,4</td></tr> <tr><td>H451CC</td><td>19,29</td><td>23,14</td><td>-</td><td>-</td><td>-</td><td>25,0</td><td>14,5</td><td>30,0</td><td>17,4</td><td>34,5</td><td>14,5</td><td>25,0</td><td>30,0</td><td>17,4</td><td>11,6</td></tr> <tr><td>H451CS</td><td>23,13</td><td>27,76</td><td>-</td><td>-</td><td>-</td><td>18,1</td><td>10,5</td><td>21,5</td><td>12,6</td><td>25,0</td><td>10,5</td><td>18,1</td><td>21,5</td><td>12,6</td><td>8,4</td></tr> <tr><td>H551CC</td><td>23,13</td><td>27,76</td><td>-</td><td>-</td><td>-</td><td>25,0</td><td>14,5</td><td>30,0</td><td>17,4</td><td>34,5</td><td>14,5</td><td>25,0</td><td>30,0</td><td>17,4</td><td>11,6</td></tr> <tr><td>H551CS</td><td>27,33</td><td>32,80</td><td>-</td><td>-</td><td>-</td><td>25,0</td><td>14,5</td><td>30,0</td><td>17,4</td><td>34,5</td><td>14,5</td><td>25,0</td><td>30,0</td><td>17,4</td><td>11,6</td></tr> <tr><td>H701CC</td><td>27,33</td><td>32,80</td><td>-</td><td>-</td><td>-</td><td>34,0</td><td>19,5</td><td>41,0</td><td>23,5</td><td>47,0</td><td>19,5</td><td>34,0</td><td>41,0</td><td>23,5</td><td>15,6</td></tr> <tr><td>H701CS</td><td>31,88</td><td>38,26</td><td>-</td><td>-</td><td>-</td><td>25,0</td><td>14,5</td><td>30,0</td><td>17,4</td><td>34,5</td><td>14,5</td><td>25,0</td><td>30,0</td><td>17,4</td><td>11,6</td></tr> <tr><td>H751CC</td><td>31,88</td><td>38,26</td><td>-</td><td>-</td><td>-</td><td>34,0</td><td>19,5</td><td>41,0</td><td>23,5</td><td>47,0</td><td>19,5</td><td>34,0</td><td>41,0</td><td>23,5</td><td>15,6</td></tr> <tr><td>H751CS</td><td>38,06</td><td>45,67</td><td>-</td><td>-</td><td>-</td><td>34,0</td><td>19,5</td><td>41,0</td><td>23,5</td><td>47,0</td><td>19,5</td><td>34,0</td><td>41,0</td><td>23,5</td><td>15,6</td></tr> <tr><td>H1002CC</td><td>38,06</td><td>45,67</td><td>-</td><td>-</td><td>-</td><td>40,0</td><td>23,0</td><td>48,0</td><td>27,5</td><td>55</td><td>23,0</td><td>40,0</td><td>48,0</td><td>27,5</td><td>18,4</td></tr> <tr><td>H801CS</td><td>43,73</td><td>52,48</td><td>-</td><td>-</td><td>-</td><td>34,0</td><td>19,5</td><td>41,0</td><td>23,5</td><td>47,0</td><td>19,5</td><td>34,0</td><td>41,0</td><td>23,5</td><td>15,6</td></tr> <tr><td>H1003CC</td><td>43,73</td><td>52,48</td><td>-</td><td>-</td><td>-</td><td>40,0</td><td>23,0</td><td>48,0</td><td>27,5</td><td>55</td><td>23,0</td><td>40,0</td><td>48,0</td><td>27,5</td><td>18,4</td></tr> </table>																	H1	H40CC	2,89	3,47	6,0	7,2	14,4	3,1	1,8	3,7	2,2	4,3	-	-	-	-	1,4	H50CS	3,86	4,63	6,0	7,2	14,4	3,1	1,8	3,7	2,2	4,3	-	-	-	-	1,4	H75CC	3,86	4,63	7,5	9,0	21,5	4,2	2,4	5,0	2,9	5,7	-	-	-	-	1,9	H75CS	5,30	6,36	7,5	9,0	21,5	4,2	2,4	5,0	2,9	5,7	-	-	-	-	1,9	H100CC	5,30	6,36	9,0	10,8	24,0	5,0	2,9	6,0	3,5	6,9	-	-	-	-	2,3	H100CS	6,75	8,10	9,0	10,8	24,0	5,0	2,9	6,0	3,5	6,9	-	-	-	-	2,3	H150CC	6,75	8,10	13,5	16,2	32,5	5,9	3,4	7,1	4,1	8,1	-	-	-	-	2,7	H150CS	7,71	9,25	13,5	16,2	32,5	5,9	3,4	7,1	4,1	8,1	-	-	-	-	2,7	H180CC	7,71	9,25	15,0	18,0	-	7,6	4,4	9,1	5,3	10,5	-	-	-	-	3,5	H180CS	8,47	10,16	15,0	18,0	-	7,6	4,4	9,1	5,3	10,5	-	-	-	-	3,5	H200CC	8,47	10,16	15,0	18,0	-	10,4	6,0	12,5	7,2	14,4	-	-	-	-	4,8	H200CS	9,88	11,86	15,0	18,0	-	7,6	4,4	9,1	5,3	10,5	-	-	-	-	3,5	H220CC	9,88	11,86	19,0	23,0	-	10,4	6,0	12,5	7,2	14,4	-	-	-	-	4,8	H220CS	10,85	13,02	19,0	23,0	-	10,4	6,0	12,5	7,2	14,4	-	-	-	-	4,8	H250CC	10,85	13,02	19,0	23,0	-	12,6	7,3	15,1	8,7	17,4	-	-	-	-	5,8	H250CS	12,17	14,60	19,0	23,0	-	10,4	6,0	12,5	7,2	14,4	-	-	-	-	4,8	H280CC	12,17	14,60	21,0	25,0	-	12,6	7,3	15,1	8,7	17,4	-	-	-	-	5,8	H280SB	13,23	15,87	-	-	-	10,4	6,0	12,5	7,2	14,4	-	-	-	-	4,8	H280CS	13,23	15,87	-	-	-	12,6	7,3	15,1	8,7	17,4	-	-	-	-	5,8	H2	H290CS	14,74	17,69	-	-	-	12,9	7,5	15,5	8,9	17,8	-	-	-	-	6,0	H300CC	14,74	17,69	-	-	-	16,2	9,4	19,4	11,2	22,5	-	-	-	-	7,5	H300CS	15,94	19,13	-	-	-	12,9	7,5	15,5	8,9	17,8	-	-	-	-	6,0	H350CC	15,94	19,13	-	-	-	16,2	9,4	19,4	11,2	22,5	-	-	-	-	7,5	H350SB	17,53	21,04	-	-	-	12,9	7,5	15,5	8,9	17,8	-	-	-	-	6,0	H380CC	17,53	21,04	-	-	-	16,2	9,4	19,4	11,2	22,5	-	-	-	-	7,5	H380SB	19,53	23,43	-	-	-	12,9	7,5	15,5	8,9	17,8	-	-	-	-	6,0	H390CS	19,53	23,43	-	-	-	16,2	9,4	19,4	11,2	22,5	-	-	-	-	7,5	H392CS	23,31	27,97	-	-	-	19,5	11,3	23,5	13,5	27,0	-	-	-	-	9,0	H32	H403CC	19,98	23,98	-	-	-	18,1	10,5	21,5	12,6	25,0	10,5	18,1	21,5	12,6	8,4	H403CS	22,83	27,40	-	-	-	18,1	10,5	21,5	12,6	25,0	10,5	18,1	21,5	12,6	8,4	H503CC	22,83	27,40	-	-	-	22,5	12,9	27,0	15,5	31,0	12,9	22,5	27,0	15,5	10,3	H503CS	26,44	31,73	-	-	-	22,5	12,9	27,0	15,5	31,0	12,9	22,5	27,0	15,5	10,3	H743CC	26,44	31,73	-	-	-	29,0	16,7	34,5	20,0	40,0	16,7	29,0	34,5	20,0	13,4	H35	H401CS	19,29	23,14	-	-	-	18,1	10,5	21,5	12,6	25,0	10,5	18,1	21,5	12,6	8,4	H451CC	19,29	23,14	-	-	-	25,0	14,5	30,0	17,4	34,5	14,5	25,0	30,0	17,4	11,6	H451CS	23,13	27,76	-	-	-	18,1	10,5	21,5	12,6	25,0	10,5	18,1	21,5	12,6	8,4	H551CC	23,13	27,76	-	-	-	25,0	14,5	30,0	17,4	34,5	14,5	25,0	30,0	17,4	11,6	H551CS	27,33	32,80	-	-	-	25,0	14,5	30,0	17,4	34,5	14,5	25,0	30,0	17,4	11,6	H701CC	27,33	32,80	-	-	-	34,0	19,5	41,0	23,5	47,0	19,5	34,0	41,0	23,5	15,6	H701CS	31,88	38,26	-	-	-	25,0	14,5	30,0	17,4	34,5	14,5	25,0	30,0	17,4	11,6	H751CC	31,88	38,26	-	-	-	34,0	19,5	41,0	23,5	47,0	19,5	34,0	41,0	23,5	15,6	H751CS	38,06	45,67	-	-	-	34,0	19,5	41,0	23,5	47,0	19,5	34,0	41,0	23,5	15,6	H1002CC	38,06	45,67	-	-	-	40,0	23,0	48,0	27,5	55	23,0	40,0	48,0	27,5	18,4	H801CS	43,73	52,48	-	-	-	34,0	19,5	41,0	23,5	47,0	19,5	34,0	41,0	23,5	15,6	H1003CC	43,73	52,48	-	-	-	40,0	23,0	48,0	27,5	55	23,0	40,0	48,0
H1	H40CC	2,89	3,47	6,0	7,2	14,4	3,1	1,8	3,7	2,2	4,3	-	-	-	-	1,4																																																																																																																																																																																																																																																																																																																																																																																																																																																																																																																																																																																																																																																																																																																																																				
	H50CS	3,86	4,63	6,0	7,2	14,4	3,1	1,8	3,7	2,2	4,3	-	-	-	-	1,4																																																																																																																																																																																																																																																																																																																																																																																																																																																																																																																																																																																																																																																																																																																																																				
	H75CC	3,86	4,63	7,5	9,0	21,5	4,2	2,4	5,0	2,9	5,7	-	-	-	-	1,9																																																																																																																																																																																																																																																																																																																																																																																																																																																																																																																																																																																																																																																																																																																																																				
	H75CS	5,30	6,36	7,5	9,0	21,5	4,2	2,4	5,0	2,9	5,7	-	-	-	-	1,9																																																																																																																																																																																																																																																																																																																																																																																																																																																																																																																																																																																																																																																																																																																																																				
	H100CC	5,30	6,36	9,0	10,8	24,0	5,0	2,9	6,0	3,5	6,9	-	-	-	-	2,3																																																																																																																																																																																																																																																																																																																																																																																																																																																																																																																																																																																																																																																																																																																																																				
	H100CS	6,75	8,10	9,0	10,8	24,0	5,0	2,9	6,0	3,5	6,9	-	-	-	-	2,3																																																																																																																																																																																																																																																																																																																																																																																																																																																																																																																																																																																																																																																																																																																																																				
	H150CC	6,75	8,10	13,5	16,2	32,5	5,9	3,4	7,1	4,1	8,1	-	-	-	-	2,7																																																																																																																																																																																																																																																																																																																																																																																																																																																																																																																																																																																																																																																																																																																																																				
	H150CS	7,71	9,25	13,5	16,2	32,5	5,9	3,4	7,1	4,1	8,1	-	-	-	-	2,7																																																																																																																																																																																																																																																																																																																																																																																																																																																																																																																																																																																																																																																																																																																																																				
	H180CC	7,71	9,25	15,0	18,0	-	7,6	4,4	9,1	5,3	10,5	-	-	-	-	3,5																																																																																																																																																																																																																																																																																																																																																																																																																																																																																																																																																																																																																																																																																																																																																				
	H180CS	8,47	10,16	15,0	18,0	-	7,6	4,4	9,1	5,3	10,5	-	-	-	-	3,5																																																																																																																																																																																																																																																																																																																																																																																																																																																																																																																																																																																																																																																																																																																																																				
	H200CC	8,47	10,16	15,0	18,0	-	10,4	6,0	12,5	7,2	14,4	-	-	-	-	4,8																																																																																																																																																																																																																																																																																																																																																																																																																																																																																																																																																																																																																																																																																																																																																				
	H200CS	9,88	11,86	15,0	18,0	-	7,6	4,4	9,1	5,3	10,5	-	-	-	-	3,5																																																																																																																																																																																																																																																																																																																																																																																																																																																																																																																																																																																																																																																																																																																																																				
	H220CC	9,88	11,86	19,0	23,0	-	10,4	6,0	12,5	7,2	14,4	-	-	-	-	4,8																																																																																																																																																																																																																																																																																																																																																																																																																																																																																																																																																																																																																																																																																																																																																				
	H220CS	10,85	13,02	19,0	23,0	-	10,4	6,0	12,5	7,2	14,4	-	-	-	-	4,8																																																																																																																																																																																																																																																																																																																																																																																																																																																																																																																																																																																																																																																																																																																																																				
	H250CC	10,85	13,02	19,0	23,0	-	12,6	7,3	15,1	8,7	17,4	-	-	-	-	5,8																																																																																																																																																																																																																																																																																																																																																																																																																																																																																																																																																																																																																																																																																																																																																				
	H250CS	12,17	14,60	19,0	23,0	-	10,4	6,0	12,5	7,2	14,4	-	-	-	-	4,8																																																																																																																																																																																																																																																																																																																																																																																																																																																																																																																																																																																																																																																																																																																																																				
H280CC	12,17	14,60	21,0	25,0	-	12,6	7,3	15,1	8,7	17,4	-	-	-	-	5,8																																																																																																																																																																																																																																																																																																																																																																																																																																																																																																																																																																																																																																																																																																																																																					
H280SB	13,23	15,87	-	-	-	10,4	6,0	12,5	7,2	14,4	-	-	-	-	4,8																																																																																																																																																																																																																																																																																																																																																																																																																																																																																																																																																																																																																																																																																																																																																					
H280CS	13,23	15,87	-	-	-	12,6	7,3	15,1	8,7	17,4	-	-	-	-	5,8																																																																																																																																																																																																																																																																																																																																																																																																																																																																																																																																																																																																																																																																																																																																																					
H2	H290CS	14,74	17,69	-	-	-	12,9	7,5	15,5	8,9	17,8	-	-	-	-	6,0																																																																																																																																																																																																																																																																																																																																																																																																																																																																																																																																																																																																																																																																																																																																																				
	H300CC	14,74	17,69	-	-	-	16,2	9,4	19,4	11,2	22,5	-	-	-	-	7,5																																																																																																																																																																																																																																																																																																																																																																																																																																																																																																																																																																																																																																																																																																																																																				
	H300CS	15,94	19,13	-	-	-	12,9	7,5	15,5	8,9	17,8	-	-	-	-	6,0																																																																																																																																																																																																																																																																																																																																																																																																																																																																																																																																																																																																																																																																																																																																																				
	H350CC	15,94	19,13	-	-	-	16,2	9,4	19,4	11,2	22,5	-	-	-	-	7,5																																																																																																																																																																																																																																																																																																																																																																																																																																																																																																																																																																																																																																																																																																																																																				
	H350SB	17,53	21,04	-	-	-	12,9	7,5	15,5	8,9	17,8	-	-	-	-	6,0																																																																																																																																																																																																																																																																																																																																																																																																																																																																																																																																																																																																																																																																																																																																																				
	H380CC	17,53	21,04	-	-	-	16,2	9,4	19,4	11,2	22,5	-	-	-	-	7,5																																																																																																																																																																																																																																																																																																																																																																																																																																																																																																																																																																																																																																																																																																																																																				
	H380SB	19,53	23,43	-	-	-	12,9	7,5	15,5	8,9	17,8	-	-	-	-	6,0																																																																																																																																																																																																																																																																																																																																																																																																																																																																																																																																																																																																																																																																																																																																																				
	H390CS	19,53	23,43	-	-	-	16,2	9,4	19,4	11,2	22,5	-	-	-	-	7,5																																																																																																																																																																																																																																																																																																																																																																																																																																																																																																																																																																																																																																																																																																																																																				
H392CS	23,31	27,97	-	-	-	19,5	11,3	23,5	13,5	27,0	-	-	-	-	9,0																																																																																																																																																																																																																																																																																																																																																																																																																																																																																																																																																																																																																																																																																																																																																					
H32	H403CC	19,98	23,98	-	-	-	18,1	10,5	21,5	12,6	25,0	10,5	18,1	21,5	12,6	8,4																																																																																																																																																																																																																																																																																																																																																																																																																																																																																																																																																																																																																																																																																																																																																				
	H403CS	22,83	27,40	-	-	-	18,1	10,5	21,5	12,6	25,0	10,5	18,1	21,5	12,6	8,4																																																																																																																																																																																																																																																																																																																																																																																																																																																																																																																																																																																																																																																																																																																																																				
	H503CC	22,83	27,40	-	-	-	22,5	12,9	27,0	15,5	31,0	12,9	22,5	27,0	15,5	10,3																																																																																																																																																																																																																																																																																																																																																																																																																																																																																																																																																																																																																																																																																																																																																				
	H503CS	26,44	31,73	-	-	-	22,5	12,9	27,0	15,5	31,0	12,9	22,5	27,0	15,5	10,3																																																																																																																																																																																																																																																																																																																																																																																																																																																																																																																																																																																																																																																																																																																																																				
	H743CC	26,44	31,73	-	-	-	29,0	16,7	34,5	20,0	40,0	16,7	29,0	34,5	20,0	13,4																																																																																																																																																																																																																																																																																																																																																																																																																																																																																																																																																																																																																																																																																																																																																				
H35	H401CS	19,29	23,14	-	-	-	18,1	10,5	21,5	12,6	25,0	10,5	18,1	21,5	12,6	8,4																																																																																																																																																																																																																																																																																																																																																																																																																																																																																																																																																																																																																																																																																																																																																				
	H451CC	19,29	23,14	-	-	-	25,0	14,5	30,0	17,4	34,5	14,5	25,0	30,0	17,4	11,6																																																																																																																																																																																																																																																																																																																																																																																																																																																																																																																																																																																																																																																																																																																																																				
	H451CS	23,13	27,76	-	-	-	18,1	10,5	21,5	12,6	25,0	10,5	18,1	21,5	12,6	8,4																																																																																																																																																																																																																																																																																																																																																																																																																																																																																																																																																																																																																																																																																																																																																				
	H551CC	23,13	27,76	-	-	-	25,0	14,5	30,0	17,4	34,5	14,5	25,0	30,0	17,4	11,6																																																																																																																																																																																																																																																																																																																																																																																																																																																																																																																																																																																																																																																																																																																																																				
	H551CS	27,33	32,80	-	-	-	25,0	14,5	30,0	17,4	34,5	14,5	25,0	30,0	17,4	11,6																																																																																																																																																																																																																																																																																																																																																																																																																																																																																																																																																																																																																																																																																																																																																				
	H701CC	27,33	32,80	-	-	-	34,0	19,5	41,0	23,5	47,0	19,5	34,0	41,0	23,5	15,6																																																																																																																																																																																																																																																																																																																																																																																																																																																																																																																																																																																																																																																																																																																																																				
	H701CS	31,88	38,26	-	-	-	25,0	14,5	30,0	17,4	34,5	14,5	25,0	30,0	17,4	11,6																																																																																																																																																																																																																																																																																																																																																																																																																																																																																																																																																																																																																																																																																																																																																				
	H751CC	31,88	38,26	-	-	-	34,0	19,5	41,0	23,5	47,0	19,5	34,0	41,0	23,5	15,6																																																																																																																																																																																																																																																																																																																																																																																																																																																																																																																																																																																																																																																																																																																																																				
	H751CS	38,06	45,67	-	-	-	34,0	19,5	41,0	23,5	47,0	19,5	34,0	41,0	23,5	15,6																																																																																																																																																																																																																																																																																																																																																																																																																																																																																																																																																																																																																																																																																																																																																				
	H1002CC	38,06	45,67	-	-	-	40,0	23,0	48,0	27,5	55	23,0	40,0	48,0	27,5	18,4																																																																																																																																																																																																																																																																																																																																																																																																																																																																																																																																																																																																																																																																																																																																																				
	H801CS	43,73	52,48	-	-	-	34,0	19,5	41,0	23,5	47,0	19,5	34,0	41,0	23,5	15,6																																																																																																																																																																																																																																																																																																																																																																																																																																																																																																																																																																																																																																																																																																																																																				
	H1003CC	43,73	52,48	-	-	-	40,0	23,0	48,0	27,5	55	23,0	40,0	48,0	27,5	18,4																																																																																																																																																																																																																																																																																																																																																																																																																																																																																																																																																																																																																																																																																																																																																				

- Versione del motore standard. Per condizioni di funzionamento non indicate contattare il nostro servizio tecnico.
- Standard motor version. For operating conditions not indicated please contact our technical service.
- Стандартная версия эл. двигателя. Для режимов, не входящих в область применения, обращайтесь в технический отдел Dorin
- Standard Motor Version. Für Betriebsbedingungen, die hier nicht aufgeführt sind wenden Sie sich bitte an unseren Technischen Dienst.



Serie Range Серия Serie	Modello Model Модель Typ	Vol. Spost. Displacement Об. произв-ть Fördervolumen		Max corrente di funzionamento / Max operating current Макс. рабочий ток / Max Betriebsstrom V / ph / Hz – В / ф / Гц [A]												
		50 Hz [m <sup>3</sup> /h]	60 Hz [m <sup>3</sup> /h]	220-240 / 1 / 50	208-230 / 1 / 60	115 / 1 / 60	220-240 / 3 / 50 265-290 / 3 / 60 Δ	380-420 / 3 / 50 440-480 / 3 / 60 Y	208-230 / 3 / 60 Δ	360-400 / 3 / 60 Y	200 / 3 / 50-60 Δ	380-420 / 3 / 50 440-480 / 3 / 60 PWS	220-240 / 3 / 50 PWS	208-230 / 3 / 60 PWS	360-400 / 3 / 60 PWS	475-525 / 3 / 50 570-630 / 3 / 60
		H41	H851CS	42,81	51,38	-	-	-	34,5	20,0	41,5	24,0	-	20,0	34,5	41,5
H1201CC	42,81		51,38	-	-	-	48,5	28,0	58	33,5	-	28,0	48,5	58	33,5	22,5
H1001CS	48,82		58,58	-	-	-	41,5	24,0	50	29,0	-	24,0	41,5	50	29,0	19,2
H1501CC	48,82		58,58	-	-	-	59	34,0	71	41,0	-	34,0	59	71	41,0	27,0
H1501CS	56,87		68,25	-	-	-	48,5	28,0	58	33,5	-	28,0	48,5	58	33,5	22,5
H2001CC	56,87		68,25	-	-	-	66	38,0	79	45,5	-	38,0	66	79	45,5	30,5
H1601CS	63,76		76,51	-	-	-	59	34,0	71	41,0	-	34,0	59	71	41,0	27,0
H2201CC	63,76		76,51	-	-	-	78	45,0	93	54	-	45,0	78	93	54	36,0
H5	H2000CS	75,83	91,00	-	-	-	66	38,0	79	45,5	-	38,0	66	79	45,5	30,5
	H2500CC	75,83	91,00	-	-	-	83	48,0	100	58	-	48,0	83	100	58	38,5
	H2500CS	85,01	102,02	-	-	-	78	45,0	93	54	-	45,0	78	93	54	36,0
	H3000CC	85,01	102,02	-	-	-	97	56	116	67	-	56	97	116	67	45,0
	H2700CS	92,25	110,69	-	-	-	83	48,0	100	58	-	48,0	83	100	58	38,5
	H3200CC	92,25	110,69	-	-	-	104	60	125	72	-	60	104	125	72	48,0
	H2900CS	102,35	122,82	-	-	-	97	56	116	67	-	56	97	116	67	45,0
	H3400CC	102,35	122,82	-	-	-	104	60	125	72	-	60	104	125	72	48,0
H6	H3000CS	113,74	136,49	-	-	-	104	60	125	72	-	60	104	125	72	48,0
	H3500CC	113,74	136,49	-	-	-	114	66	137	79	-	66	114	137	79	53
	H3500CS	127,52	153,02	-	-	-	104	60	125	72	-	60	104	125	72	48,0
	H4000CC	127,52	153,02	-	-	-	130	75	156	90	-	75	130	156	90	60
	H4000CS	138,37	166,04	-	-	-	114	66	137	79	-	66	114	137	79	53
	H4500CC	138,37	166,04	-	-	-	145	84	175	101	-	84	145	175	101	67
	H4500CS	153,52	184,22	-	-	-	130	75	156	90	-	75	130	156	90	60
	H5000CC	153,52	184,22	-	-	-	161	93	193	112	-	93	161	193	112	74
H7	H5000CS	164,30	197,16	-	-	-	156	90	187	108	-	90	156	187	108	72
	H5500CC	164,30	197,16	-	-	-	182	105	218	126	-	105	182	218	126	84
	H5500CS	184,19	221,03	-	-	-	182	105	218	126	-	105	182	218	126	84
	H6000CC	184,19	221,03	-	-	-	208	120	249	144	-	120	208	249	144	96
	H6000CS	199,86	239,83	-	-	-	182	105	218	126	-	105	182	218	126	84
	H7500CC	199,86	239,83	-	-	-	256	148	308	178	-	148	256	308	178	118
	H7501CS	221,75	266,10	-	-	-	208	120	249	144	-	120	208	249	144	96
	H8001CC	221,75	266,10	-	-	-	256	148	308	178	-	148	256	308	178	118
	H8000CS	244,78	293,74	-	-	-	208	120	249	144	-	120	208	249	144	96
	H9000CC	244,78	293,74	-	-	-	256	148	308	178	-	148	256	308	178	118

- Versione del motore standard. Per condizioni di funzionamento non indicate contattare il nostro servizio tecnico.
- Standard motor version. For operating conditions not indicated please contact our technical service.
- Стандартная версия эл. двигателя. Для режимов, не входящих в область применения, обращайтесь в технический отдел Dorin
- Standard Motor Version. Für Betriebsbedingungen, die hier nicht aufgeführt sind wenden Sie sich bitte an unseren Technischen Dienst.

Serie Range Серия Serie	Modello Model Модель Typ	Vol. Spost. Displacement Об. произв-ть Fördervolumen		Corrente a rotore bloccato / Locked rotor current / Пусковой ток (с заблок.ротором) / Anlaufstrom V / ph / Hz - В / ф / Гц [A]												
		50 Hz [m <sup>3</sup> /h]	60 Hz [m <sup>3</sup> /h]	220-240 / 1 / 50	208-230 / 1 / 60	115 / 1 / 60	220-240 / 3 / 50 265-290 / 3 / 60 Δ	380-420 / 3 / 50 440-480 / 3 / 60 Y	208-230 / 3 / 60 Δ	360-400 / 3 / 60 Y	200 / 3 / 50-60 Δ	380-420 / 3 / 50 440-480 / 3 / 60 PWS *	220-240 / 3 / 50 PWS *	208-230 / 3 / 60 PWS *	360-400 / 3 / 60 PWS *	475-525 / 3 / 50 570-630 / 3 / 60
H1	H40CC	2,89	3,47	30,0	36,0	72	15,6	9,0	18,7	10,8	18,7	-	-	-	-	7,2
	H50CS	3,86	4,63	30,0	36,0	72	15,6	9,0	18,7	10,8	18,7	-	-	-	-	7,2
	H75CC	3,86	4,63	31,0	37,0	106	19,2	11,1	23,0	13,3	23,0	-	-	-	-	8,9
	H75CS	5,30	6,36	31,0	37,0	106	19,2	11,1	23,0	13,3	23,0	-	-	-	-	8,9
	H100CC	5,30	6,36	47,0	56	149	24,0	13,8	29,0	16,5	29,0	-	-	-	-	11,0
	H100CS	6,75	8,10	47,0	56	149	24,0	13,8	29,0	16,5	29,0	-	-	-	-	11,0
	H150CC	6,75	8,10	73	88	168	27,0	15,5	32,5	18,7	32,5	-	-	-	-	12,4
	H150CS	7,71	9,25	73	88	168	27,0	15,5	32,5	18,7	32,5	-	-	-	-	12,4
	H180CC	7,71	9,25	81	97	-	35,0	20,0	41,5	24,0	41,5	-	-	-	-	16,0
	H180CS	8,47	10,16	81	97	-	35,0	20,0	41,5	24,0	41,5	-	-	-	-	16,0
	H200CC	8,47	10,16	81	97	-	42,0	24,5	51	29,5	51	-	-	-	-	19,6
	H200CS	9,88	11,86	81	97	-	35,0	20,0	41,5	24,0	41,5	-	-	-	-	16,0
	H220CC	9,88	11,86	91	109	-	42,0	24,5	51	29,5	51	-	-	-	-	19,6
	H220CS	10,85	13,02	91	109	-	42,0	24,5	51	29,5	51	-	-	-	-	19,6
	H250CC	10,85	13,02	91	109	-	55	32,0	66	38,5	66	-	-	-	-	25,5
	H250CS	12,17	14,60	91	109	-	42,0	24,5	51	29,5	51	-	-	-	-	19,6
H280CC	12,17	14,60	91	109	-	55	32,0	66	38,5	66	-	-	-	-	25,5	
H280SB	13,23	15,87	-	-	-	42,0	24,5	51	29,5	51	-	-	-	-	19,6	
H280CS	13,23	15,87	-	-	-	55	32,0	66	38,5	66	-	-	-	-	25,5	
H2	H290CS	14,74	17,69	-	-	-	59	34,0	71	41,0	71	-	-	-	-	27,0
	H300CC	14,74	17,69	-	-	-	76	43,5	91	52	91	-	-	-	-	35,0
	H300CS	15,94	19,13	-	-	-	59	34,0	71	41,0	71	-	-	-	-	27,0
	H350CC	15,94	19,13	-	-	-	76	43,5	91	52	91	-	-	-	-	35,0
	H350SB	17,53	21,04	-	-	-	59	34,0	71	41,0	71	-	-	-	-	27,0
	H380CC	17,53	21,04	-	-	-	76	43,5	91	52	91	-	-	-	-	35,0
	H380SB	19,53	23,43	-	-	-	59	34,0	71	41,0	71	-	-	-	-	27,0
	H390CS	19,53	23,43	-	-	-	76	43,5	91	52	91	-	-	-	-	35,0
H392CS	23,31	27,97	-	-	-	93	54	112	65	112	-	-	-	-	43,0	
H32	H403CC	19,98	23,98	-	-	-	92	53	110	64	110	53	92	110	64	42,5
	H403CS	22,83	27,40	-	-	-	92	53	110	64	110	53	92	110	64	42,5
	H503CC	22,83	27,40	-	-	-	109	63	131	76	131	63	109	131	76	50
	H503CS	26,44	31,73	-	-	-	109	63	131	76	131	63	109	131	76	50
	H743CC	26,44	31,73	-	-	-	149	86	179	103	179	86	149	179	103	69
H35	H401CS	19,29	23,14	-	-	-	92	53	110	64	110	53	92	110	64	42,5
	H451CC	19,29	23,14	-	-	-	109	63	131	76	131	63	109	131	76	50
	H451CS	23,13	27,76	-	-	-	92	53	110	64	110	53	92	110	64	42,5
	H551CC	23,13	27,76	-	-	-	109	63	131	76	131	63	109	131	76	50
	H551CS	27,33	32,80	-	-	-	109	63	131	76	131	63	109	131	76	50
	H701CC	27,33	32,80	-	-	-	149	86	179	103	179	86	149	179	103	69
	H701CS	31,88	38,26	-	-	-	109	63	131	76	131	63	109	131	76	50
	H751CC	31,88	38,26	-	-	-	149	86	179	103	179	86	149	179	103	69
	H751CS	38,06	45,67	-	-	-	149	86	179	103	179	86	149	179	103	69
	H1002CC	38,06	45,67	-	-	-	159	92	191	110	191	92	159	191	110	74
	H801CS	43,73	52,48	-	-	-	149	86	179	103	179	86	149	179	103	69
H1003CC	43,73	52,48	-	-	-	159	92	191	110	191	92	159	191	110	74	

Versione del motore standard. Per condizioni di funzionamento non indicate contattare il nostro servizio tecnico.

\* Il valore di corrente indicato si riferisce al collegamento diretto. Per ottenere il valore con collegamento PWS consultare il bollettino tecnico.

Standard motor version. For operating conditions not indicated please contact our technical service.

\* The current value indicated refers to the direct connection. For the value with PWS connecting see technical bulletin.

Стандартная версия эл. двигателя. Для режимов, не входящих в область применения, обращайтесь в технический отдел Dorin.

\* Значение эл. тока относится к прямому пуску (DOL). Чтобы получить значение эл. тока для подключения PWS см. Технический Бюллетень.

Standard Motor Version. Für Betriebsbedingungen, die hier nicht aufgeführt sind wenden Sie sich bitte an unseren Technischen Dienst.

\* Der angegebene Wert bezieht sich auf direkten Anschluss. Um den Wert der PWS-Verbindung siehe Technical Bulletin.



Serie Range Серия Serie	Modello Model Модель Typ	Vol. Spost. Displacement Об. произв-ть Fördervolumen		Corrente a rotore bloccato / Locked rotor current / Пусковой ток (с заблок. ротором) / Anlaufstrom V / ph / Hz - В / ф / Гц [A]												
		50 Hz [m <sup>3</sup> /h]	60 Hz [m <sup>3</sup> /h]	220-240 / 1 / 50	208-230 / 1 / 60	115 / 1 / 60	220-240 / 3 / 50 265-290 / 3 / 60 Δ	380-420 / 3 / 50 440-480 / 3 / 60 Y	208-230 / 3 / 60 Δ	360-400 / 3 / 60 Y	200 / 3 / 50-60 Δ	380-420 / 3 / 50 440-480 / 3 / 60 PWS *	220-240 / 3 / 50 PWS *	208-230 / 3 / 60 PWS *	360-400 / 3 / 60 PWS *	475-525 / 3 / 50 570-630 / 3 / 60
H41	H851CS	42,81	51,38	-	-	-	181	105	217	126	-	105	181	217	126	84
	H1201CC	42,81	51,38	-	-	-	233	135	280	162	-	135	233	280	162	108
	H1001CS	48,82	58,58	-	-	-	188	109	226	130	-	109	188	226	130	87
	H1501CC	48,82	58,58	-	-	-	295	171	354	205	-	171	295	354	205	136
	H1501CS	56,87	68,25	-	-	-	233	135	280	162	-	135	233	280	162	108
	H2001CC	56,87	68,25	-	-	-	306	177	367	212	-	177	306	367	212	142
	H1601CS	63,76	76,51	-	-	-	295	171	354	205	-	171	295	354	205	136
	H2201CC	63,76	76,51	-	-	-	351	203	421	244	-	203	351	421	244	162
H5	H2000CS	75,83	91,00	-	-	-	306	177	367	212	-	177	306	367	212	142
	H2500CC	75,83	91,00	-	-	-	351	203	421	244	-	203	351	421	244	162
	H2500CS	85,01	102,02	-	-	-	351	203	421	244	-	203	351	421	244	162
	H3000CC	85,01	102,02	-	-	-	424	245	509	294	-	245	424	509	294	196
	H2700CS	92,25	110,69	-	-	-	351	203	421	244	-	203	351	421	244	162
	H3200CC	92,25	110,69	-	-	-	450	260	540	312	-	260	450	540	312	208
	H2900CS	102,35	122,82	-	-	-	424	245	509	294	-	245	424	509	294	196
	H3400CC	102,35	122,82	-	-	-	450	260	540	312	-	260	450	540	312	208
H6	H3000CS	113,74	136,49	-	-	-	424	245	509	294	-	245	424	509	294	196
	H3500CC	113,74	136,49	-	-	-	450	260	540	312	-	260	450	540	312	208
	H3500CS	127,52	153,02	-	-	-	424	245	509	294	-	245	424	509	294	196
	H4000CC	127,52	153,02	-	-	-	502	290	602	348	-	290	502	602	348	232
	H4000CS	138,37	166,04	-	-	-	450	260	540	312	-	260	450	540	312	208
	H4500CC	138,37	166,04	-	-	-	559	323	671	388	-	323	559	671	388	258
	H4500CS	153,52	184,22	-	-	-	502	290	602	348	-	290	502	602	348	232
	H5000CC	153,52	184,22	-	-	-	619	358	743	430	-	358	619	743	430	286
H7	H5000CS	164,30	197,16	-	-	-	636	367	763	440	-	367	636	763	440	294
	H5500CC	164,30	197,16	-	-	-	788	455	946	546	-	455	788	946	546	364
	H5500CS	184,19	221,03	-	-	-	788	455	946	546	-	455	788	946	546	364
	H6000CC	184,19	221,03	-	-	-	942	544	1131	653	-	544	942	1131	653	435
	H6000CS	199,86	239,83	-	-	-	788	455	946	546	-	455	788	946	546	364
	H7500CC	199,86	239,83	-	-	-	1012	584	1214	701	-	584	1012	1214	701	467
	H7501CS	221,75	266,10	-	-	-	942	544	1131	653	-	544	942	1131	653	435
	H8001CC	221,75	266,10	-	-	-	1012	584	1214	701	-	584	1012	1214	701	467
	H8000CS	244,78	293,74	-	-	-	942	544	1131	653	-	544	942	1131	653	435
	H9000CC	244,78	293,74	-	-	-	1012	584	1214	701	-	584	1012	1214	701	467

Versione del motore standard. Per condizioni di funzionamento non indicate contattare il nostro servizio tecnico.

\* Il valore di corrente indicato si riferisce al collegamento diretto. Per ottenere il valore con collegamento PWS consultare il bollettino tecnico.

Standard motor version. For operating conditions not indicated please contact our technical service.

\* The current value indicated refers to the direct connection. For the value with PWS connecting see technical bulletin.

Стандартная версия эл. двигателя. Для режимов, не входящих в область применения, обращайтесь в технический отдел Dorin.

\* Значение эл. тока относится к прямому пуску (DOL). Чтобы получить значение эл. тока для подключения PWS см. Технический Бюллетень.

Standard Motor Version. Für Betriebsbedingungen, die hier nicht aufgeführt sind wenden Sie sich bitte an unseren Technischen Dienst.

\* Der angegebene Wert bezieht sich auf direkten Anschluss. Um den Wert der PWS-Verbindung siehe Technical Bulletin.

MT	Protezione motore Motor protection Защита эл. двигателя Motorschutz	REL	Modulo elettronico protezione motore Motor protection electronic module Электрон. модуль защиты эл. двигателя Motorschutzmodul	ODPS	Pressostato differenziale olio elettronico Oil differential pressure switch Электрон. реле контроля смазки Öldifferenzdruckschalter elektronisch
TMAX	Sensore massima temperatura mandata Max discharge temperature sensor Датчик темп-ры нагнетаемого газа Druckgasfühler	CH	Resistenza carter Crankcase heater ТЭН подогрева картера Olsumpheizung	BF	Ventilatore su testa Head fan Вент-р для охл-ия головки блока цилиндров Zylinderkopfkühlung
ALL	Sensore ottico livello olio Optical oil level sensor Оптич. датчик уровня масла Optischer Ölstandssensor	WH	Teste raffreddate ad acqua Water cooled head Водяное охл-ие головки блока цилиндров Wasserkühlung des Zylinderkopfes	CR	Regolazione di potenza Capacity control Регулятор производительности Leistungsregler
US	Partenza a vuoto Unloaded start Разгрузка при пуске компрессора Anlaufentlastung				

SERIE - RANGE СЕРИЯ - СЕРИЕ	Modello - Model Модель - Тип	MT	REL	ODPS	TMAX	CH	BF	ALL	WH	CR	US
H1	H40CC	TK	B			B					
	H50CS	TK	B			B	B		B		
	H75CC	TK	B			B					
	H75CS	TK	B			B	B		B		
	H100CC	TK	B			B					
	H100CS	TK	B			B	B		B		
	H150CC	TK	B			B					
	H150CS	TK	B			B	B		B		
	H180CC	TK	B			B					
	H180CS	TK	B			B	B		B		
	H200CC	TK	B			B					
	H200CS	TK	B			B	B		B		
	H220CC	TK	B			B					
	H220CS	TK	B			B	B		B		
	H250CC	TK	B			B					
	H250CS	TK	B			B	B		B		
H280CC	TK	B			B						
H280SB	TK	B			B	B		B			
H280CS	TK	B			B	B		B			
H2	H290CS	TK	B			B	B		B		
	H300CC	TK	B			B					
	H300CS	TK	B			B	B		B		
	H350CC	TK	B			B					
	H350SB	TK	B			B	B		B		
	H380CC	TK	B			B					
	H380SB	TK	B			B	B		B		
	H390CS	TK	B			B	B		B		
H392CS	TK	B			B	B		B			
H32	H403CC	TE	A			B		B			
	H403CS	TE	A			B	B	B	B		
	H503CC	TE	A			B		B			
	H503CS	TE	A			B	B	B	B		
	H743CC	TE	A			B		B			

**A** Accessori di normale fornitura / Standard supply / Стандартная поставка / Zubehörteile für Standardauslieferung

**B** Accessori su richiesta / Optional accessories / Дополнительное оборудование / Zubehörteile auf Wunsch

**TK** Termik

**TE** PTC

SERIE - RANGE СЕРИЯ - СЕРИЕ	Modello - Model Модель - Тип	MT	REL	ODPS	TMAX	CH	BF	ALL	WH	CR	US
H35	H401CS	TE	A			B	B	B	B	B	B
	H451CC	TE	A			B		B		B	B
	H451CS	TE	A			B	B	B	B	B	B
	H551CC	TE	A			B		B		B	B
	H551CS	TE	A			B	B	B	B	B	B
	H701CC	TE	A			B		B		B	B
	H701CS	TE	A			B	B	B	B	B	B
	H751CC	TE	A			B		B		B	B
	H751CS	TE	A			B	B	B	B	B	B
	H1002CC	TE	A			B		B		B	B
H801CS	TE	A			B	B	B	B	B	B	
H1003CC	TE	A			B		B		B	B	
H41	H851CS	TE	A			B	B	B	B	B	B
	H1201CC	TE	A			B		B		B	B
	H1001CS	TE	A			B	B	B	B	B	B
	H1501CC	TE	A			B		B		B	B
	H1501CS	TE	A			B	B	B	B	B	B
	H2001CC	TE	A			B		B		B	B
	H1601CS	TE	A			B	B	B	B	B	B
H2201CC	TE	A			B		B		B	B	
H5	H2000CS	TE	A	A	A	B	B		B	B	B
	H2500CC	TE	A	A	A	B				B	B
	H2500CS	TE	A	A	A	B	B		B	B	B
	H3000CC	TE	A	A	A	B				B	B
	H2700CS	TE	A	A	A	B	B		B	B	B
	H3200CC	TE	A	A	A	B				B	B
	H2900CS	TE	A	A	A	B	B		B	B	B
H3400CC	TE	A	A	A	B				B	B	
H6	H3000CS	TE	A	A	A	B	B		B	B	B
	H3500CC	TE	A	A	A	B				B	B
	H3500CS	TE	A	A	A	B	B		B	B	B
	H4000CC	TE	A	A	A	B				B	B
	H4000CS	TE	A	A	A	B	B		B	B	B
	H4500CC	TE	A	A	A	B				B	B
	H4500CS	TE	A	A	A	B	B		B	B	B
H5000CC	TE	A	A	A	B				B	B	
H7	H5000CS	TE	A	A	A	B	B		B	B	B
	H5500CC	TE	A	A	A	B				B	B
	H5500CS	TE	A	A	A	B	B		B	B	B
	H6000CC	TE	A	A	A	B				B	B
	H6000CS	TE	A	A	A	B	B		B	B	B
	H7500CC	TE	A	A	A	B				B	B
	H7501CS	TE	A	A	A	B	B		B	B	B
	H8001CC	TE	A	A	A	B				B	B
	H8000CS	TE	A	A	A	B	B		B	B	B
H9000CC	TE	A	A	A	B				B	B	

**A** Accessori di normale fornitura / Standard supply / Стандартная поставка / Zubehörteile für Standardauslieferung

**B** Accessori su richiesta / Optional accessories / Дополнительное оборудование / Zubehörteile auf Wunsch

**TK** Termik

**TE** PTC

Serie Range Серия Serie	Modello Model Модель Typ	Vol. Spost. Displacement Об.произв-ть Fördervolumen		Pressione sonora / Sound pressure (free field) Звуковое давление Lp / Schalldruckpegel						Potenza sonora / Sound power Мощность звука Lw / Schallleistung			
		50 Hz	60 Hz	1,8 m			5 m			ISO9614-1 grade 2			
				Te / Tc [°C]	Te / Tc [°C]	Te / Tc [°C]	Te / Tc [°C]	Te / Tc [°C]	Te / Tc [°C]	Te / Tc [°C]	Te / Tc [°C]	Te / Tc [°C]	
		[m³/h]		+7 / +50	-10 / +45	-30 / +40	+7 / +50	-10 / +45	-30 / +40	+7 / +50	-10 / +45	-30 / +40	[dB(A)]
H1	H40CC	2.89	3.47	46.0				37.1			62.1		
	H50CS	3.86	4.63				47.8			38.9			63.9
	H75CC	3.86	4.63	46.5				37.6			62.6		
	H75CS	5.30	6.36				48.6			39.7			64.7
	H100CC	5.30	6.36	48.3				39.4			64.4		
	H100CS	6.75	8.10				49.8			40.9			65.9
	H150CC	6.75	8.10	49.2				40.3			65.3		
	H150CS	7.71	9.26				50.1			41.2			66.2
	H180CC	7.71	9.26	49.6				40.7			65.7		
	H180CS	8.47	10.16				50.7			41.8			66.8
	H200CC	8.47	10.16	49.8				40.9			65.9		
	H200CS	9.88	11.86				51.2			42.3			67.3
	H220CC	9.88	11.86	50.0				41.1			66.1		
	H220CS	10.85	13.02				51.8			42.9			67.9
	H250CC	10.85	13.02	51.9				43.0			68.0		
	H250CS	12.17	14.60		49.8	51.8		40.9	42.9		65.9		67.9
H280CC	12.17	14.60	54.8	53.4	51.8	45.9	44.5	42.9	70.9	69.5		67.9	
H280SB	13.23	15.87		53.4	51.8		44.5	42.9		69.5		67.9	
H280CS	13.23	15.87		53.4	51.8		44.5	42.9		69.5		67.9	
H2	H290CS	14.74	17.69		51.4	51.9		42.5	43.0		67.5		68.0
	H300CC	14.74	17.69	50.9	51.4		42.0	42.5		67.0		67.5	
	H300CS	15.94	19.13		51.4	51.9		42.5	43.0		67.5		68.0
	H350CC	15.94	19.13	51.4	51.9		42.5	43.0		67.5		68.0	
	H350SB	17.53	21.04				52.4			43.5			68.5
	H380CC	17.53	21.04	52.9	52.4		44.0	43.5		69.0	68.5		
	H380SB	19.53	23.43				53.4			44.5			69.5
	H390CS	19.53	23.43		53.9	54.4		45.0	45.5		70.0		70.5
	H392CS	23.31	27.97				55.9			47.0			72.0
H32	H403CC	19.98	23.98	54.4	55.4		45.5	46.5		70.5	71.5		
	H403CS	22.83	27.40		54.9	55.9		46.0	47.0		71.0		72.0
	H503CC	22.83	27.40	55.9	57.4		47.0	48.5		72.0	73.5		
	H503CS	26.44	31.73		55.9	57.4		47.0	48.5		72.0		73.5
	H743CC	26.44	31.73	55.9	57.4		47.0	48.5		72.0	73.5		
H35	H401CS	19.29	23.14		54.4	55.4		45.5	46.5		70.5		71.5
	H451CC	19.29	23.14	55.4	56.4		46.5	47.5		71.5		72.5	
	H451CS	23.13	27.76		55.4	56.9		46.5	48.0		71.5		73.0
	H551CC	23.13	27.76	55.9	56.9		47.0	48.0		72.0		73.0	
	H551CS	27.33	32.80		57.9	58.4		49.0	49.5		74.0		74.5
	H701CC	27.33	32.80	57.9	58.4	58.9	49.0	49.5	50.0	74.0	74.5		75.0
	H701CS	31.88	38.26		58.9	59.4		50.0	50.5		75.0		75.5
	H751CC	31.88	38.26	58.4	58.9	59.4	49.5	50.0	50.5	74.5	75.0		75.5
	H751CS	38.06	45.67		59.9	59.9		51.0	51.0		76.0		76.0
	H1002CC	38.06	45.67	58.4	58.9	59.4	49.5	50.0	50.5	74.5	75.0		75.5
	H801CS	43.73	52.48		59.9	59.9		51.0	51.0		76.0		76.0
H1003CC	43.73	52.48	58.9	59.4	59.9	50.0	50.5	51.0	75.0	75.5		76.0	
H41	H851CS	42.81	51.38		58.9	60.4		50.0	51.5		75.0		76.5
	H1201CC	42.81	51.38	58.9	58.9	60.4	50.0	50.0	51.5	75.0	75.0		76.5
	H1001CS	48.82	58.58		60.9	61.4		52.0	52.5		77.0		77.5
	H1501CC	48.82	58.58	60.4	60.9	61.4	51.5	52.0	52.5	76.5	77.0		77.5
	H1501CS	56.87	68.25		61.9	62.6		53.0	53.7		78.0		78.7
	H2001CC	56.87	68.25	61.4	61.9	62.6	52.5	53.0	53.7	77.5	78.0		78.7
	H1601CS	63.76	76.51		62.9	63.4		54.0	54.5		79.0		79.5
	H2201CC	63.76	76.51	62.4	62.9	63.4	53.5	54.0	54.5	78.5	79.0		79.5
H5	H2000CS	75.83	91.00		61.4	61.9		52.5	53.0		77.5		78.0
	H2500CC	75.83	91.00	60.9	61.4	61.9	52.0	52.5	53.0	77.0	77.5		78.0
	H2500CS	85.01	102.02		62.4	62.9		53.5	54.0		78.5		79.0
	H3000CC	85.01	102.02	61.9	62.4	62.9	53.0	53.5	54.0	78.0	78.5		79.0
	H2700CS	92.25	110.69		63.4	63.9		54.5	55.0		79.5		80.0
	H3200CC	92.25	110.69	62.9	63.4	63.9	54.0	54.5	55.0	79.0	79.5		80.0
	H2900CS	102.35	122.82		64.4	64.9		55.5	56.0		80.5		81.0
	H3400CC	102.35	122.82	63.9	64.4	64.9	55.0	55.5	56.0	80.0	80.5		81.0
H6	H3000CS	113.74	136.49		65.4	65.9		56.5	57.0		81.5		82.0
	H3500CC	113.74	136.49	64.9	65.4	65.9	56.0	56.5	57.0	81.0	81.5		82.0
	H3500CS	127.52	153.02		65.9	66.4		57.0	57.5		82.0		82.5
	H4000CC	127.52	153.02	65.4	65.9	66.4	56.5	57.0	57.5	81.5	82.0		82.5
	H4000CS	138.37	166.04		66.4	66.9		57.5	58.0		82.5		83.0
	H4500CC	138.37	166.04	65.9	66.4	66.9	57.0	57.5	58.0	82.0	82.5		83.0
	H4500CS	153.52	184.22		66.5	67.0		57.6	58.1		82.6		83.1
H5000CC	153.52	184.22	66.0	66.5	67.0	57.1	57.6	58.1	82.1	82.6		83.1	
H7	H5000CS	164.30	197.16		66.9	67.4		58.0	58.5		83.0		83.5
	H5500CC	164.30	197.16	66.4	66.9	67.4	57.5	58.0	58.5	82.5	83.0		83.5
	H5500CS	184.19	221.03		67.1	67.6		58.2	58.7		83.2		83.7
	H6000CC	184.19	221.03	66.6	67.1	67.6	57.7	58.2	58.7	82.7	83.2		83.7
	H6000CS	199.86	239.83		67.3	67.8		58.4	58.9		83.4		83.9
	H7500CC	199.86	239.83	66.8	67.3	67.8	57.9	58.4	58.9	82.9	83.4		83.9
	H7501CS	221.75	266.10		67.4	67.9		58.5	59.0		83.5		84.0
	H8001CC	221.75	266.10	66.9	67.4	67.9	58.0	58.5	59.0	83.0	83.5		84.0
	H8000CS	244.78	293.74		67.5	68.0		58.6	59.1		83.6		84.1
	H9000CC	244.78	293.74	67.0	67.5	68.0	58.1	58.6	59.1	83.1	83.6		84.1

Gli eccellenti risultati ottenuti dalla Dorin sono stati anche "certificati" da strette misurazioni intensimetriche fatte dall'Università di Firenze secondo le norme ISO 9614-1 grado 2. La formula per ottenere la pressione sonora (Lp) ad una certa distanza (d), conoscendo la potenza sonora (Lw) è:  $Lp = Lw + 10 \log [K / (4\pi \times 1.42 \times d \times d)]$  dove K = Direttività = 1 per campo libero; d = Distanza in metri.

Strict intensimetric measurements made by the Florence University according to the rules ISO 9614-1 grade 2, "certified" the excellent results obtained by Dorin. The relation to obtain the sound pressure (Lp) at a certain distance (d), knowing the sound power (Lw), is:  $Lp = Lw + 10 \log [K / (4\pi \times 1.42 \times d \times d)]$  where K = Directivity = 1 for free field; d = Distance in meter.

Флорентийским Университетом (Италия) были проведены точные измерения уровня шума по правилам ISO 9614-1, п.п. 2, сертифицированы превосходные результаты компрессоров Dorin. Зная мощность звука (Lw), по приведенному ниже уравнению, можно определить уровень давления звука (Lp) на расстоянии (d) от источника:  $Lp = Lw + 10 \log [K / (4\pi \times 1.42 \times d \times d)]$ , где K = 1 показатель направленности для открытого пространства; d = расстояние в метрах.

Die ausgezeichneten Ergebnisse bei Dorin wurden durch genaue Messungen der Leistungsdaten an der Universität Firenze gemäß ISO 9614-1, Stufe 2, „zertifiziert“. Die Formel zur Berechnung des Schalldrucks (Lp) bei einer gegebenen Entfernung (d) und bekannter Schallleistung (Lw) lautet:  $Lp = Lw + 10 \log [K / (4\pi \times 1.42 \times d \times d)]$ , wobei K = Richtwirkung = 1 für freies Feld; d = Entfernung in Metern.

- A Solo per modelli "CC"
- B Applicazione standard
- C Ventilatore su testa

- A "CC" models only
- B Normal operation
- C Head fan

- A Только модели "CC"
- B Стандартная область применения
- C Вентилятор для охл-ия головки блока цилиндров

- A Nur "CC" Modelle
- B Standard Einsatz
- C Zylinderkopfbelüftung

- A Solo per modelli "CC"
- B Applicazione standard
- C Ventilatore su testa

- A "CC" models only
- B Normal operation
- C Head fan

- A Только модели "CC"
- B Стандартная область применения
- C Вентилятор для охл-ия головки блока цилиндров

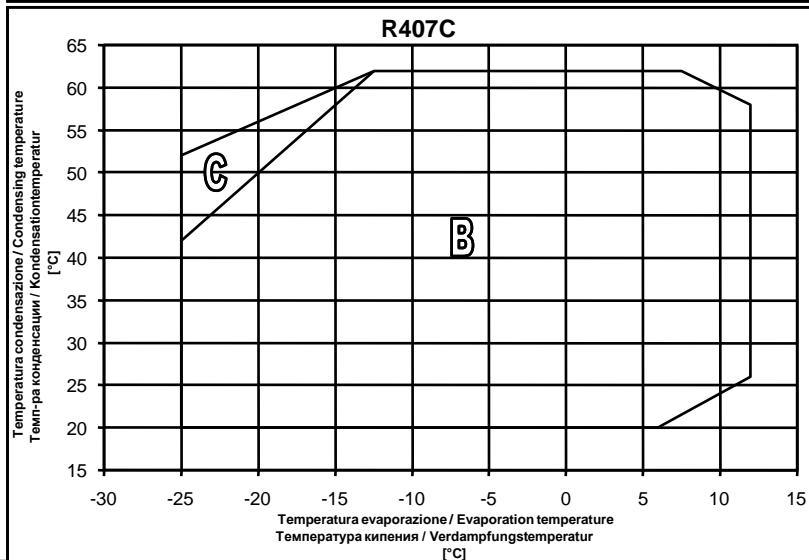
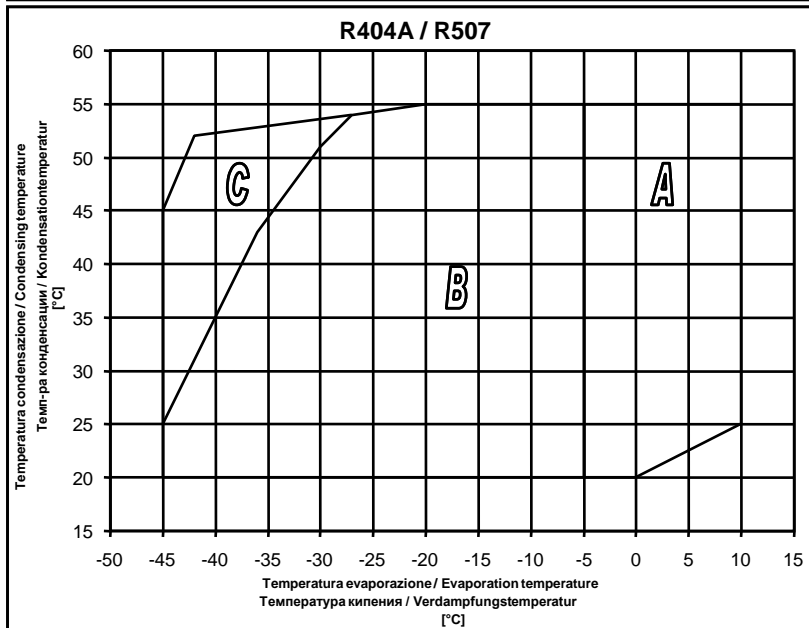
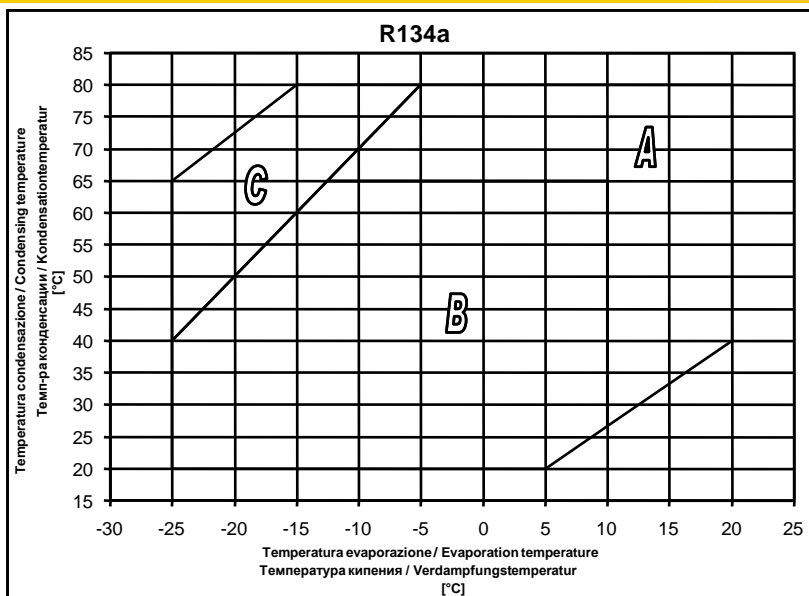
- A Nur "CC" Modelle
- B Standard Einsatz
- C Zylinderkopfbelüftung

- B Applicazione standard
- C Ventilatore su testa

- B Normal operation
- C Head fan

- B Стандартная область применения
- C Вентилятор для охл-ия головки блока цилиндров

- B Standard Einsatz
- C Zylinderkopfbelüftung



Per individuare gli esatti limiti di funzionamento di ogni singolo modello riferirsi al software di selezione Dorin.

In order to define the exact operating limits for each model, refer to Dorin selection software.

Чтобы определить точные пределы эксплуатации для каждой модели компрессора, обратитесь к программе подбора компрессоров Dorin

Die Festlegung der genauen Grenzen des Betriebsbereichs für jedes Modell finden Sie in der Dorin Software-Auswahl.

# R134a

Serie Range Серия Serie	Modello Model Модель Typ	Temp. Cond. Cond. Temp. Темп. Конд. Kond. Temp.	Q [W]	Capacità frigorifera Refrigerating capacity Холодопроизв-ть Kälteleistung				P [kW]	Potenza assorbita Power input Потребляемая мощность Leistungsaufnahme				
				Temperatura evaporazione / Evaporating temperature Температура кипения / Verdampfungstemperatur [°C]									
		[°C]	+20	+15	+10	+5	0	-5	-10	-15	-20		
<b>H1</b>	H40CC	35	Q	2620	2180	1790	1450	1160	910	710	530		
			P	0,55	0,51	0,47	0,43	0,40	0,36	0,33	0,29		
		45	Q	2770	2320	1920	1570	1270	1010	790	600	440	
			P	0,68	0,63	0,58	0,53	0,49	0,44	0,40	0,36	0,32	
	H50CS	35	Q			3120	2550	2070	1650	1290	980	730	
			P			0,63	0,61	0,58	0,55	0,50	0,45	0,40	
		45	Q			2740	2240	1800	1430	1110	830	600	
			P			0,77	0,72	0,67	0,61	0,55	0,49	0,43	
	H75CC	35	Q		3760	3120	2550	2070	1650	1290	980	730	
			P		0,63	0,63	0,61	0,58	0,55	0,50	0,45	0,40	
		45	Q	3990	3320	2740	2240	1800	1430	1110	830	600	
			P	0,82	0,80	0,77	0,72	0,67	0,61	0,55	0,49	0,43	
	H75CS	35	Q			4290	3540	2900	2340	1860	1460	1120	
			P			0,92	0,89	0,84	0,78	0,72	0,65	0,58	
		45	Q			3760	3100	2520	2030	1610	1250	940	
			P			1,11	1,04	0,97	0,89	0,80	0,71	0,63	
	H100CC	35	Q		5150	4290	3540	2900	2340	1860	1460	1120	
			P		0,93	0,92	0,89	0,84	0,78	0,72	0,65	0,58	
		45	Q	5410	4530	3760	3100	2520	2030	1610	1250	940	
			P	1,19	1,16	1,11	1,04	0,97	0,89	0,80	0,71	0,63	
	H100CS	35	Q			4770	3950	3240	2640	2120	1680	1310	
			P			0,95	0,97	0,96	0,93	0,87	0,81	0,74	
		45	Q			4430	3660	2990	2420	1940	1520	1170	
			P			1,18	1,15	1,09	1,02	0,94	0,85	0,76	
	H150CC	35	Q		5710	4770	3950	3240	2640	2120	1680	1310	
			P		0,90	0,95	0,97	0,96	0,93	0,87	0,81	0,74	
		45	Q	6320	5310	4430	3660	2990	2420	1940	1520	1170	
			P	1,15	1,18	1,18	1,15	1,09	1,02	0,94	0,85	0,76	
	H150CS	35	Q			5820	4810	3940	3190	2550	2000	1550	
			P			1,13	1,14	1,12	1,08	1,01	0,93	0,84	
		45	Q			5240	4320	3530	2850	2270	1770	1350	
			P			1,38	1,34	1,27	1,18	1,08	0,98	0,88	
	H180CC	35	Q		6980	5820	4810	3940	3190	2550	2000	1550	
			P		1,07	1,13	1,14	1,12	1,08	1,01	0,93	0,84	
		45	Q	7510	6300	5240	4320	3530	2850	2270	1770	1350	
			P	1,36	1,39	1,38	1,34	1,27	1,18	1,08	0,98	0,88	
	H180CS	35	Q			6410	5300	4330	3500	2790	2190	1690	
			P			1,22	1,21	1,18	1,14	1,08	1,02	0,96	
		45	Q			5810	4790	3900	3140	2490	1930	1470	
			P			1,50	1,43	1,35	1,27	1,17	1,08	0,99	
	H200CC	35	Q		7680	6410	5300	4330	3500	2790	2190	1690	
			P		1,22	1,22	1,21	1,18	1,14	1,08	1,02	0,96	
		45	Q	8300	6970	5810	4790	3900	3140	2490	1930	1470	
			P	1,59	1,56	1,50	1,43	1,35	1,27	1,17	1,08	0,99	
	H200CS	35	Q			7540	6230	5100	4120	3290	2590	1990	
			P			1,50	1,45	1,39	1,32	1,25	1,17	1,09	
		45	Q			6790	5590	4560	3670	2910	2260	1720	
			P			1,81	1,71	1,61	1,50	1,39	1,27	1,15	
H220CC	35	Q		9050	7540	6230	5100	4120	3290	2590	1990		
		P		1,55	1,50	1,45	1,39	1,32	1,25	1,17	1,09		
	45	Q	9750	8170	6790	5590	4560	3670	2910	2260	1720		
		P	1,99	1,90	1,81	1,71	1,61	1,50	1,39	1,27	1,15		
H220CS	35	Q			8600	7110	5820	4710	3760	2960	2290		
		P			1,65	1,60	1,53	1,45	1,36	1,26	1,16		
	45	Q			7610	6270	5110	4120	3270	2560	1950		
		P			2,01	1,90	1,78	1,65	1,52	1,38	1,26		
H250CC	35	Q		10310	8600	7110	5820	4710	3760	2960	2290		
		P		1,68	1,65	1,60	1,53	1,45	1,36	1,26	1,16		
	45	Q	10910	9150	7610	6270	5110	4120	3270	2560	1950		
		P	2,17	2,10	2,01	1,90	1,78	1,65	1,52	1,38	1,26		
H250CS	35	Q			10050	8300	6790	5490	4380	3440	2650		
		P			1,82	1,78	1,72	1,63	1,52	1,40	1,28		
	45	Q			8790	7230	5900	4750	3770	2940	2230		
		P			2,21	2,11	1,98	1,84	1,69	1,53	1,38		

- Funzionamento a 50 Hz
- Per funzionamento a 60 Hz, moltiplicare la resa per 1,18
- Le prestazioni si basano sulla norma europea EN12900
- Non miscelare mai olii estere con olii differenti

- Frequency rate 50 Hz
- For 60 Hz operation, data to be multiplied by 1,18
- Performance data are based on European Standard EN12900

- Never mix ester oils with different oils

- Частота эл. сети 50 Гц
- При частоте эл. сети 60 Гц, данные умножить на 1,18
- Данные по произв-ти получены согласно EN 12900

- Никогда не смешивать полиэфирные масла с др. типами масел

- Frequenz 50 Hz
- Für 60 Hz-Betrieb ist die Leistung mit 1,18 zu multiplizieren

- Leistungswerte basieren auf der europäischen Norm EN 12900

- Niemals Esteröl mit anderen Ölen vermischen



R134a

Serie Range Серия Serie	Modello Model Модель Typ	Temp. Cond. Cond. Temp. Темп. Конд. Kond. Temp. [°C]	Q [W]	Capacità frigorifera Refrigerating capacity Холодопроизв-ть Kälteleistung			P [kW]	Potenza assorbita Power input Потребляемая мощность Leistungsaufnahme							
				Temperatura evaporazione / Evaporating temperature Температура кипения / Verdampfungstemperatur [°C]											
				+20	+15	+10		+5	0	-5	-10	-15	-20		
H1	H280CC	35	Q	12050	10050	8300	6790	5490	4380	3440	2650				
			P	1,81	1,82	1,78	1,72	1,63	1,52	1,40	1,28				
		45	Q	12600	10570	8790	7230	5900	4750	3770	2940	2230			
			P	2,32	2,28	2,21	2,11	1,98	1,84	1,69	1,53	1,38			
	H280SB	35	Q		10390	8580	7000	5630	4460	3470	2640				
			P		1,87	1,89	1,84	1,75	1,62	1,46	1,29				
		45	Q		9020	7420	6030	4830	3800	2930	2200				
			P		2,31	2,23	2,11	1,94	1,76	1,56	1,36				
	H280CS	35	Q		10390	8580	7000	5630	4460	3470	2640				
			P		1,87	1,89	1,84	1,75	1,62	1,46	1,29				
		45	Q		9020	7420	6030	4830	3800	2930	2200				
			P		2,31	2,23	2,11	1,94	1,76	1,56	1,36				
H2	H290CS	35	Q		11110	9140	7430	5950	4690	3620	2720				
			P		2,14	2,09	2,00	1,87	1,72	1,54	1,35				
		45	Q		9590	7860	6360	5060	3960	3020	2240				
			P		2,52	2,41	2,27	2,09	1,89	1,67	1,43				
	H300CC	35	Q		13350	11110	9140	7430	5950	4690	3620	2720			
			P		2,15	2,14	2,09	2,00	1,87	1,72	1,54	1,35			
		45	Q	13820	11570	9590	7860	6360	5060	3960	3020	2240			
			P	2,61	2,59	2,52	2,41	2,27	2,09	1,89	1,67	1,43			
	H300CS	35	Q		12270	10090	8200	6560	5170	3980	2990				
			P		2,37	2,28	2,16	2,00	1,83	1,65	1,46				
		45	Q		10620	8700	7030	5600	4370	3330	2460				
			P		2,78	2,62	2,43	2,21	1,99	1,77	1,55				
	H350CC	35	Q		14750	12270	10090	8200	6560	5170	3980	2990			
			P		2,40	2,37	2,28	2,16	2,00	1,83	1,65	1,46			
		45	Q	15310	12810	10620	8700	7030	5600	4370	3330	2460			
			P	2,98	2,91	2,78	2,62	2,43	2,21	1,99	1,77	1,55			
	H350SB	35	Q		13250	10950	8940	7210	5730	4480	3430				
			P		2,49	2,47	2,37	2,21	2,01	1,79	1,55				
		45	Q		11490	9460	7710	6200	4910	3820	2900				
			P		2,95	2,83	2,64	2,42	2,16	1,89	1,63				
	H380CC	35	Q		15870	13250	10950	8940	7210	5730	4480	3430			
			P		2,43	2,49	2,47	2,37	2,21	2,01	1,79	1,55			
		45	Q	16430	13800	11490	9460	7710	6200	4910	3820	2900			
			P	2,97	3,01	2,95	2,83	2,64	2,42	2,16	1,89	1,63			
H380SB	35	Q		15350	12660	10330	8310	6580	5120	3900					
		P		2,99	2,92	2,77	2,59	2,36	2,12	1,87					
	45	Q		13310	10940	8890	7120	5610	4330	3260					
		P		3,54	3,37	3,15	2,88	2,60	2,31	2,02					
H390CS	35	Q		15350	12660	10330	8310	6580	5120	3900					
		P		2,99	2,92	2,77	2,59	2,36	2,12	1,87					
	45	Q		13310	10940	8890	7120	5610	4330	3260					
		P		3,54	3,37	3,15	2,88	2,60	2,31	2,02					
H392CS	35	Q		16800	13900	11360	9160	7270	5680	4340					
		P		3,77	3,69	3,53	3,33	3,09	2,82	2,54					
	45	Q		14860	12230	9940	7950	6250	4810	3590					
		P		4,60	4,35	4,07	3,74	3,40	3,04	2,68					
H32	H403CC	35	Q		18140	15100	12450	10160	8200	6520	5100	3900			
			P		2,64	2,72	2,70	2,60	2,43	2,21	1,97	1,72			
		45	Q	19520	16340	13550	11130	9040	7250	5720	4420	3320			
			P	3,33	3,37	3,30	3,15	2,94	2,68	2,39	2,10	1,82			
	H403CS	35	Q		17910	14760	12040	9700	7710	6020	4590				
			P		3,38	3,30	3,12	2,88	2,58	2,26	1,94				
		45	Q		15960	13110	10640	8530	6730	5200	3900				
			P		4,00	3,78	3,48	3,14	2,78	2,41	2,07				
	H503CC	35	Q		21520	17910	14760	12040	9700	7710	6020	4590			
			P		3,35	3,38	3,30	3,12	2,88	2,58	2,26	1,94			
		45	Q	23000	19240	15960	13110	10640	8530	6730	5200	3900			
			P	4,15	4,14	4,00	3,78	3,48	3,14	2,78	2,41	2,07			
H503CS	35	Q		21570	17850	14640	11880	9530	7540	5860					
		P		4,08	3,94	3,71	3,44	3,13	2,81	2,50					
	45	Q		19180	15820	12910	10430	8300	6500	4970					
		P		4,82	4,51	4,15	3,76	3,37	2,99	2,65					

- Funzionamento a 50 Hz
- Per funzionamento a 60 Hz, moltiplicare la resa per 1,18
- Le prestazioni si basano sulla norma europea EN12900
- Non miscelare mai olii estere con olii differenti
- Frequency rate 50 Hz
- For 60 Hz operation, data to be multiplied by 1,18
- Performance data are based on European Standard EN12900
- Never mix ester oils with different oils
- Частота эл. сети 50 Гц
- При частоте эл. сети 60 Гц, табличные умножить на 1,18
- Данные по произв-ти получены согласно EN 12900
- Никогда не смешивать полиэфирные масла с др. типами масел
- Frequenz 50 Hz
- Für 60 Hz-Betrieb ist die Leistung mit 1,18 zu multiplizieren
- Leistungswerte basieren auf der europäischen Norm EN 12900
- Niemals Esteröl mit anderen Ölen vermischen

**R134a**

Serie Range Серия Serie	Modello Model Модель Typ	Temp. Cond. Cond. Temp. Темп. конд. Kond. Temp.	Q [W]	Capacità frigorifera Refrigerating capacity Холодопроизв-ть Kälteleistung				P [kW]	Potenza assorbita Power input Потребляемая мощность Leistungsaufnahme			
				Temperatura evaporazione / Evaporating temperature Температура кипения / Verdampfungstemperatur [°C]								
		[°C]	+20	+15	+10	+5	0	-5	-10	-15	-20	
H32	H743CC	35	Q	25830	21570	17850	14640	11880	9530	7540	5860	
			P	4,13	4,08	3,94	3,71	3,44	3,13	2,81	2,50	
		45	Q	27480	23050	19180	15820	12910	10430	8300	6500	4970
			P	5,22	5,07	4,82	4,51	4,15	3,76	3,37	2,99	2,65
	H401CS	35	Q		15380	12700	10370	8360	6640	5200	3990	
			P		2,85	2,77	2,64	2,48	2,29	2,09	1,88	
		45	Q		13740	11290	9170	7340	5790	4470	3370	
			P		3,33	3,14	2,93	2,69	2,44	2,19	1,95	
	H451CC	35	Q	18650	15530	12800	10440	8400	6670	5220	4000	
			P	3,04	2,92	2,78	2,62	2,44	2,25	2,05	1,85	
		45	Q	19950	16710	13870	11400	9250	7410	5840	4510	3380
			P	3,72	3,56	3,37	3,17	2,95	2,72	2,48	2,25	2,01
	H451CS	35	Q		18450	15230	12430	10020	7970	6230	4790	
			P		3,42	3,32	3,17	2,97	2,75	2,50	2,26	
		45	Q		16480	13540	11000	8810	6940	5360	4040	
			P		3,99	3,77	3,51	3,23	2,93	2,63	2,34	
	H551CC	35	Q	22380	18630	15350	12520	10080	8010	6260	4800	
			P	3,65	3,51	3,33	3,14	2,93	2,70	2,46	2,22	
		45	Q	23930	20050	16640	13670	11100	8890	7000	5400	4060
			P	4,46	4,27	4,04	3,80	3,54	3,26	2,98	2,69	2,41
	H551CS	35	Q		21590	17830	14560	11750	9350	7330	5650	
			P		4,05	3,87	3,65	3,40	3,14	2,87	2,61	
		45	Q		19310	15880	12910	10350	8170	6320	4780	
			P		4,78	4,47	4,14	3,80	3,46	3,13	2,80	
	H701CC	35	Q	25690	21430	17690	14460	11670	9300	7310	5640	
			P	4,22	4,05	3,85	3,62	3,37	3,12	2,85	2,59	
		45	Q	27130	22770	18940	15600	12710	10220	8100	6300	4790
			P	5,29	5,03	4,75	4,45	4,14	3,81	3,49	3,16	2,84
	H701CS	35	Q		25050	20700	16920	13660	10880	8530	6570	
			P		4,69	4,56	4,34	4,06	3,72	3,36	2,99	
		45	Q		22360	18400	14970	12010	9480	7350	5560	
			P		5,63	5,31	4,93	4,50	4,05	3,61	3,18	
	H751CC	35	Q	30010	25050	20700	16920	13660	10880	8530	6570	
			P	4,70	4,69	4,56	4,34	4,06	3,72	3,36	2,99	
		45	Q	32030	26890	22360	18400	14970	12010	9480	7350	5560
			P	5,98	5,86	5,63	5,31	4,93	4,50	4,05	3,61	3,18
	H751CS	35	Q		31230	25800	21090	17020	13550	10630	8190	
			P		5,94	5,69	5,37	5,00	4,60	4,19	3,80	
		45	Q		27890	22950	18660	14970	11820	9160	6930	
			P		7,08	6,58	6,04	5,50	4,97	4,47	4,02	
	H1002CC	35	Q	38230	31790	26170	21300	17130	13590	10610	8130	
			P	6,06	6,00	5,81	5,52	5,14	4,70	4,22	3,72	
		45	Q	41100	34390	28510	23380	18960	15160	11930	9200	6910
			P	7,76	7,60	7,31	6,91	6,43	5,89	5,30	4,71	4,11
	H801CS	35	Q		35810	29590	24180	19520	15540	12190	9400	
			P		6,86	6,57	6,20	5,77	5,31	4,84	4,39	
		45	Q		31990	26320	21400	17160	13550	10500	7950	
			P		8,17	7,59	6,98	6,35	5,74	5,16	4,64	
	H1003CC	35	Q	43830	36450	30000	24430	19650	15580	12170	9320	
			P	6,99	6,93	6,71	6,38	5,94	5,43	4,88	4,30	
		45	Q	47120	39430	32690	26810	21740	17380	13680	10550	7930
			P	8,97	8,77	8,44	7,98	7,42	6,80	6,12	5,43	4,75
	H851CS	35	Q		34340	28380	23190	18710	14890	11650	8950	
			P		6,47	6,16	5,81	5,41	4,97	4,49	3,98	
		45	Q		30240	24890	20250	16240	12820	9920	7480	
			P		7,41	6,95	6,45	5,92	5,36	4,77	4,17	
	H1201CC	35	Q	41980	34930	28760	23420	18830	14920	11640	8920	
			P	6,65	6,55	6,31	5,96	5,53	5,04	4,50	3,96	
		45	Q	44540	37300	30940	25390	20590	16470	12960	10000	7520
			P	8,20	7,99	7,64	7,20	6,67	6,08	5,46	4,83	4,22
	H1001CS	35	Q		39740	32890	26940	21800	17410	13700	10600	
			P		7,42	7,33	7,03	6,57	5,99	5,33	4,64	
		45	Q		35140	28980	23620	19010	15060	11720	8910	
			P		8,88	8,47	7,89	7,20	6,43	5,63	4,84	

- Funzionamento a 50 Hz
- Per funzionamento a 60 Hz, moltiplicare la resa per 1,18
- Le prestazioni si basano sulla norma europea EN12900
- Non miscelare mai olii estere con olii differenti
- Frequency rate 50 Hz
- For 60 Hz operation, data to be multiplied by 1,18
- Performance data are based on European Standard EN12900
- Never mix ester oils with different oils
- Частота эл. сети 50 Гц
- При частоте эл. сети 60 Гц, данные умножить на 1,18
- Данные по произв-ти получены согласно EN 12900
- Никогда не смешивать полиэфирные масла с др. типами масел
- Frequenz 50 Hz
- Für 60 Hz-Betrieb ist die Leistung mit 1,18 zu multiplizieren
- Leistungswerte basieren auf der europäischen Norm EN 12900
- Niemals Esteröl mit anderen Ölen vermischen

R134a

Serie Range Серия Serie	Modello Model Модель Typ	Temp. Cond. Cond. Temp. Темп. конд. Kond. Temp. [°C]	Q [W]	Capacità frigorifera Refrigerating capacity Холодопроизв-ть Kälteleistung				P [kW]	Potenza assorbita Power input Потребляемая мощность Leistungsaufnahme						
				Temperatura evaporazione / Evaporating temperature Температура кипения / Verdampfungstemperatur [°C]											
				+20	+15	+10	+5		0	-5	-10	-15	-20		
H41	H1501CC	35	Q	47550	39600	32660	26650	21480	17100	13410	10340				
			P	7,78	7,69	7,43	7,03	6,51	5,92	5,27	4,61				
	45	Q	50700	42500	35290	29010	23580	18920	14950	11600	8790				
		P	9,80	9,59	9,21	8,69	8,06	7,35	6,59	5,81	5,05				
	H1501CS	35	Q		45120	37410	30700	24920	19970	15790	12300				
			P		8,55	8,36	7,96	7,39	6,71	5,98	5,23				
	45	Q		39980	33030	27000	21800	17360	13590	10420					
		P		10,28	9,70	8,96	8,13	7,25	6,36	5,53					
	H2001CC	35	Q	56220	46730	38440	31260	25110	19880	15500	11880				
			P	9,23	9,06	8,71	8,19	7,55	6,81	6,03	5,22				
	45	Q	59620	49880	41320	33870	27430	21910	17230	13290	10020				
		P	11,52	11,23	10,75	10,10	9,33	8,47	7,55	6,62	5,69				
H1601CS	35	Q		51150	42340	34670	28060	22410	17630	13640					
		P		9,72	9,37	8,83	8,15	7,39	6,60	5,83					
45	Q		45290	37350	30450	24500	19420	15110	11490						
	P		11,59	10,84	9,95	8,99	8,01	7,07	6,22						
H2201CC	35	Q	61570	51280	42300	34510	27830	22160	17390	13430					
		P	9,91	9,64	9,21	8,65	8,00	7,28	6,52	5,76					
45	Q	65770	55140	45800	37650	30610	24570	19430	15090	11460					
	P	12,51	12,02	11,38	10,63	9,79	8,90	7,98	7,07	6,19					
H5	H2000CS	35	Q		63080	51750	41930	33510	26320	20250	15130				
			P		10,13	9,90	9,48	8,90	8,17	7,33	6,41				
	45	Q		55490	45260	36450	28910	22510	17100	12560					
		P		12,13	11,57	10,82	9,93	8,93	7,83	6,67					
	H2500CC	35	Q	76060	63130	51840	42060	33670	26530	20530	15530				
			P	10,15	10,18	9,96	9,54	8,94	8,22	7,40	6,52				
	45	Q	80330	67060	55440	45320	36590	29110	22770	17420	12950				
		P	12,97	12,78	12,36	11,72	10,92	9,99	8,96	7,87	6,76				
	H2500CS	35	Q		69800	57720	47250	38230	30510	23930	18350				
			P		11,62	11,34	10,86	10,20	9,39	8,45	7,41				
	45	Q		61470	50700	41390	33380	26510	20650	15640					
		P		13,87	13,25	12,42	11,44	10,32	9,09	7,78					
H3000CC	35	Q	86050	71380	58610	47580	38140	30140	23430	17850					
		P	11,78	11,73	11,43	10,91	10,22	9,39	8,47	7,48					
45	Q	90750	75790	62700	51340	41560	33200	26110	20150	15150					
	P	15,05	14,76	14,23	13,47	12,55	11,49	10,32	9,10	7,86					
H2700CS	35	Q		76520	62770	50880	40680	32000	24660	18490					
		P		11,92	11,73	11,27	10,59	9,72	8,70	7,56					
45	Q		67360	54850	44090	34900	27120	20560	15050						
	P		14,54	13,85	12,94	11,83	10,57	9,17	7,69						
H3200CC	35	Q	91720	75940	62210	50350	40200	31600	24380	18380					
		P	11,93	12,05	11,84	11,37	10,67	9,81	8,82	7,75					
45	Q	97070	80800	66590	54260	43660	34610	26960	20550	15190					
	P	15,23	15,09	14,64	13,91	12,97	11,84	10,60	9,28	7,93					
H2900CS	35	Q		84880	69810	56780	45600	36090	28040	21280					
		P		13,67	13,37	12,80	12,01	11,02	9,89	8,65					
45	Q		74490	60900	49190	39180	30680	23500	17440						
	P		16,38	15,61	14,61	13,41	12,05	10,56	9,00						
H3400CC	35	Q	102660	85210	69960	56760	45440	35810	27710	20960					
		P	13,71	13,74	13,44	12,87	12,07	11,09	9,98	8,80					
45	Q	108420	90520	74820	61170	49380	39290	30730	23510	17480					
	P	17,50	17,25	16,68	15,82	14,74	13,48	12,09	10,62	9,13					
H6	H3000CS	35	Q		94330	77590	63110	50680	40110	31170	23650				
			P		15,19	14,86	14,23	13,34	12,25	10,99	9,61				
	45	Q		82790	67680	54670	43540	34090	26110	19380					
		P		18,20	17,35	16,23	14,90	13,39	11,74	10,00					
	H3500CC	35	Q	114090	94690	77750	63090	50500	39790	30790	23290				
			P	15,23	15,27	14,94	14,30	13,41	12,32	11,09	9,78				
	45	Q	120490	100590	83160	67980	54880	43670	34150	26130	19430				
		P	19,45	19,18	18,54	17,59	16,38	14,98	13,44	11,81	10,14				
	H3500CS	35	Q		105700	87160	71130	57370	45660	35760	27420				
			P		17,92	17,44	16,64	15,57	14,30	12,87	11,34				
	45	Q		93030	76500	62260	50080	39710	30940	23510					
		P		21,46	20,40	19,06	17,50	15,79	13,96	12,10					

- Funzionamento a 50 Hz
- Per funzionamento a 60 Hz, moltiplicare la resa per 1,18
- Le prestazioni si basano sulla norma europea EN12900
- Non miscelare mai olii estere con olii differenti
- Frequency rate 50 Hz
- For 60 Hz operation, data to be multiplied by 1,18
- Performance data are based on European Standard EN12900
- Never mix ester oils with different oils
- Частота эл. сети 50 Гц
- При частоте эл. сети 60 Гц, данные умножить на 1,18
- Данные по произв-ти получены согласно EN 12900
- Никогда не смешивать полиэфирные масла с др. типами масел
- Frequenz 50 Hz
- Für 60 Hz-Betrieb ist die Leistung mit 1,18 zu multiplizieren
- Leistungswerte basieren auf der europäischen Norm EN 12900
- Niemals Esteröl mit anderen Ölen vermischen



Serie Range Серия Serie	Modello Model Модель Typ	Temp. Cond. Cond. Temp. Темп. конд. Kond. Temp. [°C]	Q [W]	Capacità frigorifera Refrigerating capacity Холодопроизв-ть Kälteleistung				P [kW]	Potenza assorbita Power input Потребляемая мощность Leistungsaufnahme			
				Temperatura evaporazione / Evaporating temperature Температура кипения / Verdampfungstemperatur [°C]								
				+20	+15	+10	+5		0	-5	-10	-15
H6	H4000CC	35	Q	127740	105950	86970	70590	56560	44680	34710	26430	
			P	17,67	17,59	17,14	16,37	15,33	14,09	12,70	11,22	
	H4000CS	35	Q	134700	112470	93040	76160	61630	49220	38690	29830	22410
			P	22,58	22,15	21,34	20,21	18,82	17,23	15,49	13,65	11,79
	H4500CC	35	Q		114690	94570	77180	62250	49540	38800	29760	
			P		19,44	18,93	18,06	16,90	15,51	13,96	12,31	
	H4500CS	35	Q		100940	83010	67560	54340	43090	33570	25510	
			P		23,29	22,14	20,68	18,99	17,13	15,15	13,12	
	H4500CC	45	Q	143760	120010	99240	81210	65680	52410	41170	31710	23780
			P	24,50	24,03	23,15	21,93	20,42	18,69	16,80	14,82	12,79
	H4500CS	45	Q		127700	105090	85540	68780	54530	42480	32370	
			P		22,08	21,27	20,11	18,67	17,02	15,22	13,33	
H5000CC	35	Q		151300	125460	102950	83520	66890	52800	40980	31170	
		P		21,27	21,18	20,63	19,70	18,46	16,96	15,29	13,51	
H5000CS	35	Q	159510	133150	110100	90100	72870	58150	45680	35180	26380	
		P	27,18	26,66	25,69	24,33	22,66	20,74	18,64	16,44	14,19	
H5000CC	45	Q		136670	112460	91550	73610	58350	45470	34640		
		P		23,63	22,76	21,52	19,98	18,22	16,29	14,26		
H5500CC	35	Q		161920	134270	110180	89380	71590	56510	43860	33360	
		P		22,76	22,67	22,08	21,09	19,75	18,15	16,36	14,45	
H5500CS	35	Q	170710	142500	117830	96430	77990	62240	48890	37650	28240	
		P	29,09	28,53	27,49	26,04	24,25	22,20	19,95	17,59	15,19	
H5500CC	45	Q		140420	115850	94600	76330	60750	47530	36380		
		P		27,49	26,55	25,08	23,21	21,11	18,91	16,77		
H5500CS	45	Q		123270	101380	82440	66160	52210	40290	30080		
		P		32,15	30,18	27,81	25,18	22,44	19,73	17,21		
H6000CC	35	Q		169050	140800	116170	94850	76540	60910	47660	36480	
		P		27,83	27,57	26,62	25,14	23,28	21,17	18,96	16,81	
H6000CS	35	Q	177680	148840	123610	101650	82670	66340	52350	40400	30160	
		P	34,38	33,66	32,24	30,26	27,88	25,25	22,50	19,79	17,26	
H6000CC	45	Q		153260	126590	103480	83610	66630	52190	39960		
		P		30,00	29,02	27,45	25,43	23,14	20,73	18,37		
H6000CS	45	Q		134420	110690	90140	72440	57250	44220	33020		
		P		35,08	33,00	30,46	27,61	24,62	21,65	18,86		
H7500CC	35	Q		184290	153640	126900	103740	83820	66790	52320	40060	
		P		30,29	30,07	29,10	27,52	25,50	23,20	20,78	18,42	
H7500CS	35	Q	193290	162080	134750	110960	90360	72620	57390	44330	33100	
		P	37,30	36,63	35,17	33,08	30,53	27,67	24,68	21,70	18,91	
H7500CC	45	Q		166100	137320	112370	90890	72500	56840	43540		
		P		32,51	31,50	29,82	27,65	25,17	22,56	19,98		
H7501CS	45	Q		145570	119990	97830	78720	62280	48160	35970		
		P		38,02	35,82	33,10	30,03	26,79	23,56	20,51		
H8001CC	35	Q		199530	166470	137630	112630	91090	72670	56970	43640	
		P		32,75	32,58	31,57	29,89	27,72	25,23	22,61	20,02	
H8001CC	45	Q	208900	175320	145900	120260	98060	78900	62430	48270	36050	
		P	40,22	39,60	38,10	35,90	33,18	30,10	26,85	23,61	20,55	
H8000CS	35	Q		183010	151360	123760	99920	79540	62340	48010		
		P		35,77	34,44	32,64	30,43	27,87	25,01	21,90		
H8000CS	45	Q		160580	132280	107650	86380	68190	52790	39870		
		P		41,21	38,97	36,29	33,24	29,86	26,22	22,36		
H9000CC	35	Q		221390	185000	153000	125100	101000	80410	63020	48530	
		P		36,97	36,15	34,81	32,99	30,76	28,17	25,28	22,13	
H9000CC	45	Q	231850	194940	162330	133720	108820	87320	68940	53360	40300	
		P	44,66	43,44	41,66	39,40	36,69	33,60	30,19	26,50	22,60	

- Funzionamento a 50 Hz
- Per funzionamento a 60 Hz, moltiplicare la resa per 1,18
- Le prestazioni si basano sulla norma europea EN12900
- Non miscelare mai olii estere con olii differenti

- Frequency rate 50 Hz
- For 60 Hz operation, data to be multiplied by 1,18
- Performance data are based on European Standard EN12900

- Never mix ester oils with different oils

- Частота эл. сети 50 Гц
- При частоте эл. сети 60 Гц, данные умножить на 1,18
- Данные по произв-ти получены согласно EN 12900

- Никогда не смешивать полиэфирные масла с др. типами масел

- Frequenz 50 Hz
- Für 60 Hz-Betrieb ist die Leistung mit 1,18 zu multiplizieren
- Leistungswerte basieren auf der europäischen Norm EN 12900

- Niemals Esteröl mit anderen Ölen vermischen







Serie Range Серия Serie	Modello Model Модель Typ	Temp. Cond. Cond. Temp. Темп. Конд. Kond. Temp.	[°C]	Q [W]		Capacità frigorifera Refrigerating capacity Холодопроизв-ть Kälteleistung				P [kW]		Potenza assorbita Power input Потребляемая мощность Leistungsaufnahme			
				Temperatura evaporazione / Evaporating temperature Температура кипения / Verdampfungstemperatur [°C]											
				+10	+5	0	-5	-10	-15	-20	-25	-30	-35	-40	
H1	H280CC	35	Q	14890	12570	10530	8740	7190	5850	4700	3710	2860	2130	1490	
			P	3,12	3,21	3,19	3,10	2,93	2,72	2,47	2,21	1,95	1,71	1,50	
		45	Q	12410	10460	8750	7260	5950	4820	3830	2960	2190	1490	850	
			P	3,85	3,78	3,64	3,42	3,17	2,88	2,58	2,29	2,02	1,78	1,60	
	H280SB	35	Q				9320	7680	6250	5010	3940	3020	2250	1610	
			P				3,15	2,97	2,76	2,52	2,26	1,99	1,71	1,44	
		45	Q				7720	6330	5120	4070	3170	2410	1750	1200	
			P				3,51	3,26	2,99	2,69	2,39	2,07	1,76	1,46	
	H280CS	35	Q				9320	7680	6250	5010	3940	3020	2250	1610	
P						3,15	2,97	2,76	2,52	2,26	1,99	1,71	1,44		
45		Q				7720	6330	5120	4070	3170	2410	1750	1200		
		P				3,51	3,26	2,99	2,69	2,39	2,07	1,76	1,46		
H2	H290CS	35	Q				10460	8660	7080	5700	4510	3500	2650	1940	
			P				3,39	3,19	2,94	2,67	2,39	2,11	1,83	1,57	
		45	Q				8690	7150	5810	4640	3630	2770	2040	1430	
			P				3,84	3,53	3,19	2,84	2,49	2,14	1,82	1,52	
	H300CC	35	Q	17930	15170	12720	10570	8670	7030	5620	4420	3400	2560	1870	
			P	3,52	3,56	3,51	3,38	3,19	2,95	2,68	2,39	2,10	1,82	1,57	
		45	Q	14980	12630	10550	8730	7130	5760	4570	3560	2700	1980	1370	
			P	4,41	4,30	4,11	3,85	3,54	3,21	2,85	2,49	2,14	1,81	1,53	
	H300CS	35	Q				11260	9330	7640	6170	4900	3820	2910	2150	
			P				3,72	3,50	3,24	2,95	2,63	2,31	2,00	1,70	
		45	Q				7730	6290	5050	3980	3060	2290	1640		
			P				3,92	3,56	3,17	2,78	2,40	2,03	1,70		
	H350CC	35	Q	19130	16220	13640	11370	9380	7660	6180	4920	3840	2930	2160	
			P	3,93	3,95	3,88	3,74	3,53	3,27	2,97	2,66	2,35	2,04	1,76	
		45	Q	16150	13620	11400	9450	7770	6310	5060	3990	3080	2310	1640	
			P	4,90	4,77	4,55	4,27	3,94	3,58	3,19	2,81	2,43	2,07	1,75	
	H350SB	35	Q				12390	10270	8420	6820	5440	4270	3270	2440	
			P				4,22	3,96	3,66	3,33	2,99	2,64	2,31	2,00	
		45	Q						6970	5620	4460	3470	2630	1920	
			P					4,07	3,64	3,21	2,79	2,39	2,04		
	H380CC	35	Q	20990	17820	15010	12540	10370	8490	6860	5470	4290	3290	2460	
			P	4,45	4,46	4,38	4,21	3,97	3,69	3,37	3,02	2,67	2,33	2,02	
		45	Q			12570	10470	8630	7040	5680	4500	3500	2650	1910	
			P			5,15	4,84	4,48	4,08	3,65	3,23	2,80	2,41	2,05	
H380SB	35	Q						9430	7650	6120	4820	3730	2820		
		P						4,19	3,83	3,45	3,07	2,68	2,28		
	45	Q						6340	5060	3970	3050	2280			
		P					4,22	3,76	3,29	2,83	2,37				
H390CS	35	Q				13870	11530	9470	7690	6160	4850	3750	2830		
		P				4,86	4,54	4,19	3,84	3,47	3,09	2,71	2,32		
	45	Q					9590	7870	6370	5090	3990	3070	2290		
		P				5,12	4,67	4,22	3,77	3,31	2,86	2,41			
H392CS	35	Q							9110	7220	5600	4220	3070		
		P							4,58	4,10	3,62	3,14	2,63		
	45	Q							7480	5880	4520	3370	2390		
		P						4,92	4,33	3,75	3,16	2,57			
H32	H403CC	35	Q	23620	19820	16510	13630	11150	9020	7230					
			P	4,35	4,36	4,29	4,14	3,94	3,69	3,41					
		45	Q	20070	16760	13880	11400	9270	7450	5910					
			P	5,45	5,28	5,04	4,74	4,39	4,01	3,61					
	H403CS	35	Q				16030	13280	10880	8790	6990	5450	4150	3040	
			P				5,04	4,78	4,44	4,05	3,63	3,19	2,75	2,34	
		45	Q				13540	11150	9070	7260	5700	4370	3220		
			P				5,72	5,28	4,78	4,26	3,72	3,19	2,68		
	H503CC	35	Q	27970	23770	20020	16700	13760	11200	8960	7040	5400	4010	2840	
			P	5,59	5,50	5,32	5,06	4,74	4,37	3,96	3,53	3,09	2,66	2,25	
		45	Q	23530	19920	16710	13870	11380	9200	7320	5690	4300	3110	2100	
			P	6,72	6,43	6,06	5,63	5,16	4,65	4,13	3,60	3,08	2,58	2,13	
H503CS	35	Q				19180	16010	13200	10740	8600	6770	5210	3910		
		P				6,00	5,69	5,32	4,90	4,46	4,00	3,55	3,12		
	45	Q				16270	13510	11070	8940	7080	5480	4110			
		P				6,75	6,26	5,72	5,17	4,61	4,05	3,53			

- Funzionamento a 50 Hz
- Per funzionamento a 60 Hz, moltiplicare la resa per 1,18
- Le prestazioni si basano sulla norma europea EN12900
- Non miscelare mai olii estere con olii differenti

- Frequency rate 50 Hz
- For 60 Hz operation, data to be multiplied by 1,18
- Performance data are based on European Standard EN12900
- Never mix ester oils with different oils

- Частота эл. сети 50 Гц
- При частоте эл. сети 60 Гц, данные умножить на 1,18
- Данные по произв-ти получены согласно EN 12900
- Никогда не смешивать полиэфирные масла с др. типами масел

- Frequenz 50 Hz
- Für 60 Hz-Betrieb ist die Leistung mit 1,18 zu multiplizieren
- Leistungswerte basieren auf der europäischen Norm EN 12900
- Niemals Esteröl mit anderen Ölen vermischen





Serie Range Серия Serie	Modello Model Модель Typ	Temp. Cond. Cond. Temp. Темп. Конд. Kond. Temp. [°C]	Q [W]		Capacità frigorifera Refrigerating capacity Холодопроизв-ть Kälteleistung					P [kW]		Potenza assorbita Power input Потребляемая мощность Leistungsaufnahme			
			Temperatura evaporazione / Evaporating temperature Температура кипения / Verdampfungstemperatur [°C]												
			+10	+5	0	-5	-10	-15	-20	-25	-30	-35	-40		
H32	H743CC	35	Q	32930	28040	23670	19780	16360	13350	10750	8510	6600	5000	3670	
			P	6,53	6,39	6,18	5,92	5,60	5,24	4,85	4,42	3,98	3,53	3,08	
		45	Q	27550	23390	19690	16410	13520	11000	8810	6920	5300	3920	2760	
			P	8,02	7,61	7,17	6,68	6,17	5,64	5,10	4,55	4,01	3,48	2,97	
	H401CS	35	Q				13980	11530	9380	7530	5930	4580	3430	2460	
			P				4,27	4,06	3,81	3,51	3,17	2,80	2,39	1,95	
		45	Q				11490	9430	7640	6090	4760	3630	2670	1850	
			P				4,66	4,38	4,05	3,69	3,29	2,86	2,40	1,93	
	H451CC	35	Q	24230	20330	16880	13850	11220	8950	7020	5400	4060	2970	2100	
			P	4,36	4,38	4,29	4,11	3,85	3,54	3,19	2,82	2,44	2,08	1,75	
		45	Q	20260	16900	13950	11380	9160	7260	5660	4320	3210	2310	1580	
			P	5,42	5,23	4,95	4,61	4,21	3,78	3,34	2,89	2,47	2,08	1,75	
	H451CS	35	Q				16770	13820	11250	9030	7120	5490	4110	2950	
			P				5,12	4,87	4,57	4,21	3,81	3,36	2,87	2,34	
		45	Q				13790	11310	9160	7300	5710	4360	3200	2210	
			P				5,59	5,25	4,86	4,42	3,94	3,43	2,88	2,31	
	H551CC	35	Q	29590	24950	20850	17250	14110	11400	9080	7110	5460	4080	2940	
			P	5,83	5,70	5,50	5,25	4,95	4,61	4,22	3,81	3,37	2,91	2,44	
		45	Q	25080	21060	17530	14440	11770	9460	7500	5830	4420	3230	2220	
			P	6,94	6,66	6,32	5,93	5,50	5,04	4,54	4,02	3,48	2,92	2,37	
	H551CS	35	Q				19580	16180	13210	10630	8410	6510	4910	3570	
			P				5,86	5,63	5,31	4,91	4,45	3,93	3,37	2,78	
		45	Q				16220	13350	10840	8670	6810	5220	3860	2710	
			P				6,55	6,18	5,74	5,22	4,65	4,04	3,41	2,76	
	H701CC	35	Q	33390	28270	23740	19750	16260	13230	10620	8390	6500	4910	3580	
			P	6,53	6,42	6,23	5,97	5,65	5,28	4,87	4,42	3,93	3,42	2,89	
		45	Q	28340	23900	19990	16570	13580	11000	8780	6880	5260	3880	2700	
			P	7,94	7,64	7,27	6,84	6,36	5,83	5,27	4,68	4,06	3,43	2,78	
	H701CS	35	Q				23150	19120	15600	12550	9940	7720	5840	4280	
			P				7,16	6,81	6,36	5,82	5,23	4,60	3,95	3,31	
		45	Q				19520	16030	12990	10370	8120	6210	4590	3220	
			P				8,15	7,59	6,94	6,24	5,51	4,75	4,00	3,28	
	H751CC	35	Q	38720	32910	27730	23150	19120	15600	12550	9940	7720	5840	4280	
			P	7,38	7,47	7,39	7,16	6,81	6,36	5,82	5,23	4,60	3,95	3,31	
		45	Q	33150	28040	23510	19520	16030	12990	10370	8120	6210	4590	3220	
			P	9,13	8,94	8,61	8,15	7,59	6,94	6,24	5,51	4,75	4,00	3,28	
	H751CS	35	Q				27240	22530	18430	14880	11830	9230	7050	5230	
			P				8,71	8,27	7,70	7,02	6,29	5,52	4,76	4,03	
		45	Q				22990	18900	15340	12280	9660	7430	5540	3960	
			P				9,95	9,20	8,37	7,48	6,56	5,66	4,80	4,03	
	H1002CC	35	Q	48140	40720	34150	28380	23330	18970	15220	12030	9340	7090	5240	
			P	9,51	9,50	9,30	8,92	8,41	7,80	7,10	6,36	5,59	4,83	4,11	
		45	Q	41250	34720	28960	23920	19550	15770	12550	9810	7510	5570	3950	
			P	11,79	11,40	10,85	10,16	9,37	8,51	7,60	6,67	5,75	4,88	4,07	
	H801CS	35	Q				31230	25840	21130	17060	13560	10590	8080	6000	
			P				10,06	9,55	8,89	8,11	7,26	6,38	5,50	4,66	
		45	Q				26360	21670	17590	14080	11070	8520	6360	4540	
			P				11,49	10,63	9,66	8,63	7,58	6,54	5,55	4,65	
	H1003CC	35	Q				32540	26760	21750	17450	13790	10710	8130	6000	
			P				10,30	9,72	9,00	8,20	7,34	6,45	5,58	4,75	
		45	Q				27430	22410	18090	14390	11250	8610	6390	4530	
			P				11,74	10,83	9,83	8,77	7,70	6,64	5,63	4,70	
	H851CS	35	Q				32710	27010	22030	17710	14000	10840	8160	5920	
			P				9,63	9,01	8,30	7,52	6,69	5,84	4,97	4,11	
		45	Q				27400	22520	18270	14600	11450	8750	6460	4520	
			P				10,65	9,82	8,92	7,98	7,01	6,03	5,06	4,12	
	H1201CC	35	Q	55950	47350	39720	33000	27120	22020	17620	13870	10700	8040	5830	
			P	10,43	10,54	10,36	9,94	9,33	8,57	7,71	6,79	5,87	4,99	4,18	
		45	Q	47300	39870	33310	27560	22550	18230	14510	11330	8640	6360	4440	
			P	12,71	12,36	11,78	11,01	10,10	9,10	8,05	7,01	6,00	5,09	4,32	
	H1001CS	35	Q				37830	31270	25540	20570	16310	12680	9630	7080	
			P				11,78	10,92	9,98	8,99	7,97	6,96	5,96	5,02	
		45	Q				31730	26080	21170	16930	13290	10190	7580	5380	
			P				13,03	11,86	10,66	9,44	8,24	7,07	5,96	4,94	

- Funzionamento a 50 Hz
- Per funzionamento a 60 Hz, moltiplicare la resa per 1,18
- Le prestazioni si basano sulla norma europea EN12900
- Non miscelare mai olii estere con olii differenti
- Frequency rate 50 Hz
- For 60 Hz operation, data to be multiplied by 1,18
- Performance data are based on European Standard EN12900
- Never mix ester oils with different oils
- Частота эл. сети 50 Гц
- При частоте эл. сети 60 Гц, данные умножить на 1,18
- Данные по произв-ти получены согласно EN 12900
- Никогда не смешивать полиэфирные масла с др. типами масел
- Frequenz 50 Hz
- Für 60 Hz-Betrieb ist die Leistung mit 1,18 zu multiplizieren
- Leistungswerte basieren auf der europäischen Norm EN 12900
- Niemals Esteröl mit anderen Ölen vermischen



Serie Range Серия Serie	Modello Model Модель Typ	Temp. Cond. Cond. Temp. Темп. Конд. Kond. Temp.	Temp. Cond. Cond. Temp. Темп. Конд. Kond. Temp.	Q [W]	Capacità frigorifera Refrigerating capacity Холодопроизв-ть Kälteleistung					P [kW]	Potenza assorbita Power input Потребляемая мощность Leistungsaufnahme				
					Temperatura evaporazione / Evaporating temperature Температура кипения / Verdampfungstemperatur [°C]										
					+10	+5	0	-5	-10		-15	-20	-25	-30	-35
H41	H1501CC	35	Q	63280	53720	45240	37750	31180	25460	20510	16260	12630	9550	6950	
			P	12,39	12,31	12,00	11,49	10,81	9,99	9,07	8,07	7,03	5,98	4,95	
	H1501CS	45	Q	53960	45520	38070	31540	25860	20940	16720	13110	10050	7460	5270	
			P	15,06	14,48	13,71	12,80	11,78	10,67	9,51	8,32	7,14	6,01	4,94	
	H2001CC	35	Q	73380	62220	52320	43600	35970	29340	23620	18720	14560	11040	8090	
			P	14,59	14,25	13,71	13,01	12,18	11,24	10,22	9,14	8,04	6,94	5,86	
	H1601CS	45	Q	62170	52520	44010	36540	30030	24390	19530	15360	11800	8760	6140	
			P	17,59	16,76	15,79	14,69	13,49	12,23	10,92	9,60	8,28	7,01	5,79	
	H2201CC	35	Q	81880	69420	58370	48640	40120	32720	26330	20870	16220	12300	9000	
			P	15,71	15,88	15,62	14,99	14,08	12,94	11,66	10,31	8,95	7,65	6,50	
	H1601CS	45	Q	69440	58660	49140	40790	33510	27200	21770	17110	13130	9730	6810	
			P	19,41	18,86	17,95	16,77	15,39	13,87	12,28	10,71	9,21	7,87	6,75	
H5	H2000CS	35	Q				55110	45340	36800	29410	23070	17680	13140	9370	
			P				17,85	16,50	14,99	13,38	11,73	10,09	8,54	7,11	
	H2500CC	45	Q				45940	37630	30400	24150	18800	14240	10380	7120	
			P				19,92	18,04	16,08	14,10	12,16	10,31	8,63	7,16	
	H2500CC	35	Q	93880	79200	66220	54820	44880	36260	28860	22540	17170	12640	8820	
			P	19,06	18,52	17,74	16,73	15,56	14,24	12,81	11,32	9,79	8,26	6,77	
	H2500CS	45	Q	78990	66390	55300	45610	37190	29910	23660	18300	13710	9770	6360	
			P	22,35	21,22	19,91	18,43	16,83	15,15	13,42	11,67	9,94	8,26	6,68	
	H2500CS	35	Q				61670	50690	41100	32790	25670	19610	14530	10320	
			P				19,94	18,48	16,82	15,03	13,18	11,33	9,57	7,95	
	H3000CC	45	Q				51470	42090	33940	26900	20880	15770	11470	7870	
			P				22,31	20,23	18,05	15,83	13,64	11,56	9,65	7,98	
H3000CC	35	Q	105010	88600	74100	61360	50240	40600	32290	25180	19120	13970	9600		
		P	21,02	20,64	19,89	18,84	17,54	16,04	14,41	12,69	10,94	9,23	7,60		
H2700CS	45	Q	88420	74330	61940	51100	41670	33500	26460	20410	15200	10690	6740		
		P	24,90	23,77	22,37	20,73	18,93	17,01	15,03	13,05	11,12	9,30	7,64		
H3200CC	35	Q	113760	95890	80090	66220	54120	43630	34620	26920	20400	14890	10240		
		P	22,92	22,39	21,52	20,37	18,97	17,38	15,65	13,82	11,93	10,05	8,22		
H2900CS	45	Q	95880	80500	66980	55150	44870	35990	28350	21810	16220	11420	7270		
		P	27,05	25,78	24,24	22,48	20,55	18,50	16,36	14,20	12,06	9,98	8,02		
H3400CC	35	Q				73830	60580	49010	39000	30430	23180	17110	12110		
		P				24,05	22,26	20,24	18,07	15,85	13,64	11,53	9,59		
H3400CC	45	Q				61700	50350	40490	31990	24740	18620	13480	9230		
		P				26,88	24,35	21,71	19,04	16,42	13,93	11,64	9,64		
H3500CC	35	Q	125520	105860	88470	73190	59860	48290	38330	29800	22540	16360	11110		
		P	24,97	24,71	23,95	22,77	21,24	19,44	17,45	15,34	13,19	11,08	9,08		
H3500CC	45	Q	105860	88930	74040	61010	49670	39860	31400	24120	17860	12440	7700		
		P	29,84	28,61	26,99	25,06	22,88	20,54	18,12	15,70	13,34	11,12	9,14		
H6	H3000CS	35	Q				79060	65260	53190	42720	33710	26030	19540	14100	
			P				26,25	24,33	22,16	19,81	17,37	14,92	12,56	10,36	
	H3500CC	45	Q				66570	54610	44200	35180	27430	20810	15190	10420	
			P				29,64	26,83	23,88	20,89	17,93	15,09	12,45	10,11	
	H3500CC	35	Q	133180	112650	94510	78590	64690	52650	42290	33410	25850	19410	13930	
			P	29,09	28,00	26,66	25,08	23,31	21,37	19,31	17,14	14,90	12,62	10,34	
H3500CS	45	Q	113320	95500	79840	66130	54220	43910	35020	27390	20810	15120	10140		
		P	34,54	32,59	30,44	28,11	25,65	23,07	20,42	17,72	15,00	12,31	9,66		
H3500CS	35	Q				88030	72520	58970	47240	37180	28630	21460	15520		
		P				29,64	27,28	24,75	22,10	19,40	16,72	14,12	11,67		
H3500CS	45	Q				74210	60720	48980	38860	30200	22850	16680	11520		
		P				33,36	30,07	26,72	23,36	20,08	16,93	13,97	11,28		

- Funzionamento a 50 Hz
- Per funzionamento a 60 Hz, moltiplicare la resa per 1,18
- Le prestazioni si basano sulla norma europea EN12900
- Non miscelare mai olii estere con olii differenti
- Frequency rate 50 Hz
- For 60 Hz operation, data to be multiplied by 1,18
- Performance data are based on European Standard EN12900
- Never mix ester oils with different oils
- Частота эл. сети 50 Гц
- При частоте эл. сети 60 Гц, данные умножить на 1,18
- Данные по произв-ти получены согласно EN 12900
- Никогда не смешивать полиэфирные масла с др. типами масел
- Frequenz 50 Hz
- Für 60 Hz-Betrieb ist die Leistung mit 1,18 zu multiplizieren
- Leistungswerte basieren auf der europäischen Norm EN 12900
- Niemals Esteröl mit anderen Ölen vermischen



Serie Range Серия Serie	Modello Model Модель Typ	Temp. Cond. Cond. Temp. Темп. конд. Kond. Temp. [°C]	Q [W]		Capacità frigorifera Refrigerating capacity Холодопроизв-ть Kälteleistung					P [kW]		Potenza assorbita Power input Потребляемая мощность Leistungsaufnahme		
			Temperatura evaporazione / Evaporating temperature Температура кипения / Verdampfungstemperatur [°C]											
			+10	+5	0	-5	-10	-15	-20	-25	-30	-35	-40	
H6	H4000CC	35	Q 149620	126500	106080	88160	72540	59020	47400	37480	29070	21970	15970	
		P 32,84	31,55	29,98	28,15	26,11	23,90	21,56	19,13	16,65	14,16	11,70		
	H4000CS	35	Q 127290	107210	89560	74140	60750	49190	39260	30760	23500	17270	11880	
		P 38,96	36,69	34,20	31,52	28,71	25,79	22,81	19,81	16,83	13,91	11,09		
	H4500CC	35	Q 162810	137570	115270	95710	78670	63920	51260	40470	31330	23630	17140	
		P 34,63	33,49	31,94	30,04	27,85	25,46	22,91	20,29	17,66	15,08	12,63		
	H4500CS	35	Q 138590	116640	97350	80500	65870	53260	42440	33200	25320	18580	12780	
		P 41,42	39,12	36,50	33,63	30,58	27,41	24,19	20,99	17,88	14,93	12,19		
	H5000CC	35	Q 180570	152480	127690	105930	86980	70600	56550	44580	34470	25960	18830	
		P 38,25	37,11	35,46	33,37	30,94	28,26	25,40	22,47	19,54	16,71	14,06		
	H5000CS	35	Q 153810	129360	107870	89110	72840	58820	46800	36560	27850	20430	14060	
		P 45,97	43,46	40,56	37,35	33,93	30,38	26,79	23,25	19,84	16,66	13,78		
H5500CC	35	Q 208580	175760	146780	121350	99210	80100	63760	49920	38320	28690	20770		
	P 38,73	38,93	38,07	36,31	33,86	30,89	27,59	24,14	20,74	17,55	14,78			
H5500CS	35	Q 172390	144770	120520	99370	81060	65320	51900	40510	30910	22830	16000		
	P 47,25	45,63	43,17	40,05	36,47	32,59	28,62	24,73	21,11	17,95	15,43			
H6000CC	35	Q 234530	197640	165040	136440	111550	90070	71700	56140	43090	32260	23350		
	P 43,24	43,47	42,50	40,55	37,81	34,49	30,80	26,96	23,15	19,60	16,51			
H6000CS	35	Q 193850	162790	135520	111740	91150	73450	58350	45560	34760	25670	17990		
	P 52,75	50,95	48,20	44,72	40,72	36,39	31,96	27,61	23,57	20,04	17,22			
H7500CC	35	Q 253520	213640	178400	147490	120590	97360	77500	60680	46580	34870	25250		
	P 47,31	47,56	46,50	44,36	41,36	37,73	33,70	29,49	25,33	21,44	18,06			
H7501CS	35	Q 209540	175970	146490	120780	98530	79400	63080	49240	37570	27750	19440		
	P 57,72	55,74	52,74	48,93	44,55	39,82	34,96	30,21	25,79	21,93	18,84			
H8001CC	35	Q 282960	238440	199120	164620	134590	108670	86500	67730	51990	38920	28180		
	P 52,65	52,93	51,75	49,37	46,03	41,99	37,51	32,82	28,19	23,87	20,10			
H8000CS	35	Q 233870	196400	163500	134810	109970	88620	70400	54960	41940	30970	21700		
	P 64,23	62,03	58,69	54,45	49,58	44,31	38,91	33,62	28,70	24,40	20,97			
H9000CC	35	Q 309540	260850	217830	180080	147230	118880	94630	74090	56870	42580	30820		
	P 57,58	57,89	56,60	54,00	50,35	45,93	41,02	35,90	30,83	26,10	21,98			
H9000CS	35	Q 255850	214860	178860	147480	120300	96940	77020	60120	45880	33880	23740		
	P 70,25	67,85	64,19	59,56	54,22	48,46	42,55	36,77	31,39	26,69	22,94			

- Funzionamento a 50 Hz
- Per funzionamento a 60 Hz, moltiplicare la resa per 1,18
- Le prestazioni si basano sulla norma europea EN12900
- Non miscelare mai olii estere con olii differenti
- Frequency rate 50 Hz
- For 60 Hz operation, data to be multiplied by 1,18
- Performance data are based on European Standard EN12900
- Never mix ester oils with different oils
- Частота эл. сети 50 Гц
- При частоте эл. сети 60 Гц, данные умножить на 1,18
- Данные по произв-ти получены согласно EN 12900
- Никогда не смешивать полиэфирные масла с др. типами масел
- Frequenz 50 Hz
- Für 60 Hz-Betrieb ist die Leistung mit 1,18 zu multiplizieren
- Leistungswerte basieren auf der europäischen Norm EN 12900
- Niemals Esteröl mit anderen Ölen vermischen

R407C

Serie Range Серия Serie	Modello Model Модель Typ	Temp. Cond. Cond. Temp. Темп. Конд. Kond. Temp. [°C]		Capacità frigorifera Refrigerating capacity Холодопроизв-ть Kälteleistung			P [kW]	Potenza assorbita Power input Потребляемая мощность Leistungsaufnahme			
				Temperatura evaporazione / Evaporating temperature Температура кипения / Verdampfungstemperatur [°C]							
				+10	+5	0		-5	-10	-15	-20
H1	H40CC	30	Q	3420	2830	2310	1870	1490	1170	900	
			P	0,52	0,54	0,54	0,53	0,49	0,45	0,41	
		40	Q	2970	2450	1990	1600	1270	990	740	
			P	0,68	0,67	0,64	0,60	0,55	0,50	0,44	
		50	Q	2540	2090	1690	1350	1060	810	600	
			P	0,81	0,78	0,73	0,67	0,60	0,54	0,48	
	H75CC	30	Q	4590	3800	3120	2520	2020	1590	1220	
			P	0,70	0,73	0,73	0,70	0,66	0,61	0,55	
		40	Q	4000	3300	2690	2170	1720	1340	1020	
			P	0,91	0,90	0,86	0,81	0,74	0,67	0,59	
		50	Q	3430	2820	2290	1840	1450	1110	820	
			P	1,09	1,04	0,97	0,89	0,81	0,72	0,64	
	H100CC	30	Q	6280	5200	4260	3450	2760	2170	1670	
			P	0,96	1,00	1,00	0,97	0,91	0,84	0,75	
		40	Q	5470	4510	3680	2970	2350	1830	1380	
			P	1,25	1,23	1,18	1,11	1,02	0,91	0,81	
		50	Q	4690	3860	3130	2510	1980	1520	1120	
			P	1,49	1,42	1,33	1,23	1,11	0,99	0,88	
	H150CC	30	Q	8050	6670	5470	4430	3550	2800	2160	
			P	1,22	1,27	1,27	1,23	1,16	1,06	0,95	
		40	Q	7020	5800	4740	3820	3040	2370	1800	
			P	1,59	1,57	1,50	1,41	1,29	1,16	1,03	
		50	Q	6040	4970	4040	3250	2560	1980	1470	
			P	1,90	1,81	1,70	1,56	1,41	1,26	1,12	
H180CC	30	Q	9140	7580	6210	5040	4030	3180	2460		
		P	1,39	1,46	1,46	1,42	1,33	1,22	1,10		
	40	Q	8000	6610	5400	4360	3470	2710	2060		
		P	1,83	1,80	1,73	1,62	1,48	1,33	1,17		
	50	Q	6890	5680	4620	3710	2930	2260	1690		
		P	2,17	2,07	1,94	1,78	1,61	1,44	1,27		
H200CC	30	Q	10140	8400	6880	5580	4460	3520	2720		
		P	1,64	1,67	1,65	1,58	1,48	1,35	1,21		
	40	Q	8820	7280	5950	4800	3820	2980	2260		
		P	2,06	2,01	1,91	1,78	1,62	1,46	1,30		
	50	Q	7560	6230	5070	4070	3220	2480	1850		
		P	2,40	2,27	2,12	1,94	1,75	1,57	1,39		
H220CC	30	Q	11720	9720	7980	6470	5190	4100	3180		
		P	1,80	1,86	1,86	1,80	1,70	1,56	1,42		
	40	Q	10260	8470	6930	5600	4460	3480	2650		
		P	2,33	2,29	2,19	2,05	1,89	1,71	1,53		
	50	Q	8830	7270	5920	4760	3760	2900	2160		
		P	2,79	2,66	2,48	2,28	2,07	1,87	1,68		
H250CC	30	Q	12880	10670	8750	7090	5680	4490	3500		
		P	1,95	2,03	2,03	1,97	1,85	1,70	1,52		
	40	Q	11300	9320	7610	6140	4890	3830	2930		
		P	2,57	2,53	2,42	2,26	2,07	1,86	1,64		
	50	Q	9730	7990	6490	5210	4110	3180	2390		
		P	3,09	2,94	2,74	2,50	2,26	2,01	1,78		
H280CC	30	Q	14810	12270	10070	8170	6540	5160	4000		
		P	2,17	2,24	2,23	2,15	2,03	1,87	1,69		
	40	Q	13110	10830	8850	7150	5680	4440	3370		
		P	2,89	2,83	2,70	2,53	2,32	2,10	1,88		
	50	Q	11420	9400	7650	6140	4840	3730	2770		
		P	3,47	3,29	3,07	2,82	2,56	2,30	2,05		
H2	H300CC	30	Q	18240	15060	12280	9880	7810	6060	4570	
			P	2,69	2,72	2,68	2,58	2,43	2,24	2,01	
		40	Q	15660	12850	10420	8310	6510	4960	3660	
			P	3,41	3,30	3,13	2,92	2,67	2,38	2,08	
		50	Q	13210	10780	8680	6860	5310	3980	2840	
			P	4,05	3,81	3,53	3,21	2,87	2,51	2,14	
	H350CC	30	Q	19760	16180	13100	10450	8220	6350	4820	
			P	2,80	2,90	2,89	2,79	2,62	2,41	2,17	
		40	Q	17290	14100	11350	9010	7020	5370	4000	
			P	3,68	3,58	3,40	3,15	2,87	2,57	2,26	
		50	Q	14340	11590	9240	7250	5590	4200	3070	
			P	4,44	4,16	3,83	3,46	3,08	2,70	2,34	
	H380CC	30	Q	22670	18710	15270	12300	9760	7620	5830	
			P	3,16	3,28	3,28	3,18	2,99	2,74	2,44	
		40	Q	19410	15960	12970	10390	8190	6330	4770	
			P	4,13	4,04	3,85	3,60	3,29	2,95	2,61	
		50	Q	16030	13110	10590	8440	6600	5050	3740	
			P	5,05	4,74	4,38	3,97	3,56	3,14	2,76	
	H32	H403CC	30	Q	24060	19890	16270	13150	10470	8200	6280
				P	3,27	3,37	3,37	3,27	3,10	2,87	2,58
			40	Q	21230	17460	14190	11370	8960	6900	5150
				P	4,25	4,18	4,02	3,79	3,49	3,13	2,74
			50	Q	18350	14980	12070	9570	7430	5590	4020
				P	5,20	4,97	4,65	4,27	3,84	3,37	2,86

- Funzionamento a 50 Hz
- Per funzionamento a 60 Hz, moltiplicare la resa per 1,18
- Le prestazioni si basano sulla norma europea EN12900
- Non miscelare mai olii estere con olii differenti

- Frequency rate 50 Hz
- For 60 Hz operation, data to be multiplied by 1,18
- Performance data are based on European Standard EN12900
- Never mix ester oils with different oils

- Частота эл. сети 50 Гц
- При частоте эл. сети 60 Гц, данные умножить на 1,18
- Данные по произв-ти получены согласно EN 12900
- Никогда не смешивать полиэфирные масла с др. типами масел

- Frequenz 50 Hz
- Für 60 Hz-Betrieb ist die Leistung mit 1,18 zu multiplizieren
- Leistungswerte basieren auf der europäischen Norm EN 12900
- Niemals Esteröl mit anderen Ölen vermischen



R407C

Serie Range Серия Serie	Modello Model Модель Typ	Temp. Cond. Cond. Temp. Темп. Конд. Kond. Temp. [°C]		Q [W]	Capacità frigorifera Refrigerating capacity Холодопроизв-ть Kälteleistung			P [kW]	Potenza assorbita Power input Потребляемая мощность Leistungsaufnahme		
					Temperatura evaporazione / Evaporating temperature Температура кипения / Verdampfungstemperatur [°C]						
					+10	+5	0		-5	-10	-15
H32	H503CC	30	Q	30080	24860	20310	16400	13040	10190	7780	
			P	4,30	4,36	4,29	4,09	3,81	3,46	3,06	
		40	Q	26350	21660	17590	14090	11090	8530	6350	
	H743CC	30	P	5,50	5,34	5,06	4,69	4,25	3,76	3,26	
			Q	22630	18480	14900	11810	9170	6910	4970	
		40	P	6,59	6,22	5,75	5,22	4,65	4,06	3,47	
Q			34530	28640	23530	19120	15350	12130	9420		
50		P	4,86	4,97	4,90	4,71	4,42	4,08	3,73		
		Q	30220	24940	20370	16430	13050	10170	7720		
H35	H451CC	30	P	6,40	6,14	5,78	5,34	4,87	4,40	3,98	
			Q	25860	21190	17160	13690	10720	8180	5990	
		40	P	7,78	7,20	6,57	5,92	5,30	4,74	4,28	
	Q		24100	19930	16320	13220	10590	8360	6490		
	H551CC	30	P	3,78	3,63	3,46	3,28	3,08	2,87	2,65	
			Q	21370	17570	14290	11480	9090	7070	5370	
		40	P	4,55	4,31	4,05	3,78	3,50	3,20	2,89	
	Q		18610	15190	12250	9740	7610	5800	4270		
	H701CC	30	P	5,31	4,96	4,60	4,23	3,85	3,45	3,05	
			Q	28910	23900	19570	15860	12700	10030	7780	
		40	P	4,53	4,35	4,15	3,93	3,70	3,44	3,17	
			Q	25630	21070	17140	13770	10910	8480	6440	
		50	P	5,46	5,17	4,86	4,54	4,19	3,84	3,47	
			Q	22320	18220	14690	11680	9120	6960	5120	
	H751CC	30	P	6,37	5,95	5,52	5,07	4,61	4,14	3,66	
			Q	33040	27420	22540	18330	14740	11690	9130	
		40	P	5,09	4,88	4,67	4,43	4,18	3,92	3,63	
			Q	29160	24080	19670	15890	12660	9920	7600	
50		P	6,19	5,87	5,53	5,18	4,81	4,42	4,02		
		Q	25570	20990	17030	13640	10750	8280	6180		
H1002CC	30	P	7,34	6,87	6,39	5,89	5,38	4,85	4,30		
		Q	38270	31770	26120	21250	17080	13550	10570		
	40	P	5,87	5,69	5,47	5,22	4,94	4,62	4,28		
		Q	33580	27730	22660	18310	14590	11430	8760		
	50	P	7,08	6,76	6,40	6,02	5,60	5,15	4,68		
		Q	29210	23990	19480	15610	12310	9490	7100		
H1003CC	30	P	8,31	7,83	7,31	6,77	6,20	5,60	4,97		
		Q	47880	39790	32760	26700	21520	17130	13430		
	40	P	7,38	7,28	7,08	6,79	6,41	5,97	5,46		
		Q	41570	34430	28250	22920	18370	14500	11210		
	50	P	9,02	8,69	8,26	7,74	7,16	6,52	5,82		
		Q	34950	28800	23490	18940	15040	11720	8870		
H41	H1201CC	30	P	10,84	10,22	9,52	8,74	7,90	7,01	6,08	
			Q	54900	45620	37560	30610	24670	19640	15400	
	40	P	8,52	8,41	8,17	7,84	7,40	6,89	6,31		
		Q	47660	39480	32390	26290	21070	16620	12860		
	50	P	10,42	10,03	9,53	8,94	8,27	7,52	6,72		
		Q	40070	33020	26940	21710	17250	13440	10180		
H1501CC	30	P	12,52	11,81	10,99	10,10	9,13	8,10	7,02		
		Q	53380	45930	37730	30670	24620	19500	15190		
	40	P	7,96	7,97	7,80	7,47	7,02	6,48	5,88		
		Q	48780	40240	32850	26500	21070	16480	12590		
	50	P	9,95	9,60	9,10	8,48	7,78	7,02	6,24		
		Q	42600	34920	28300	22630	17790	13680	10190		
H2201CC	30	P	11,61	10,95	10,16	9,29	8,37	7,42	6,49		
		Q	62880	52270	43040	35090	28280	22490	17610		
	40	P	9,77	9,50	9,12	8,63	8,06	7,42	6,72		
		Q	55480	45840	37490	30310	24170	18970	14570		
	50	P	11,60	11,18	10,62	9,93	9,13	8,24	7,28		
		Q	48790	40040	32490	26010	20480	15780	11780		
H5	H2500CC	30	P	13,25	12,67	11,93	11,03	10,01	8,88	7,64	
			Q	71320	59380	49000	40050	32380	25860	20360	
	40	P	10,89	10,57	10,13	9,59	8,99	8,34	7,66		
		Q	63300	52510	43140	35070	28160	22260	17240		
	50	P	13,57	12,87	12,09	11,24	10,35	9,44	8,54		
		Q	55020	45400	37070	29910	23770	18520	14010		
H2202CC	30	P	15,78	14,73	13,62	12,47	11,32	10,18	9,08		
		Q	79620	66280	54690	44680	36110	28830	22690		
	40	P	11,20	11,52	11,46	11,08	10,48	9,71	8,85		
		Q	70670	58620	48160	39140	31400	24810	19210		
	50	P	14,77	14,44	13,80	12,93	11,89	10,78	9,65		
		Q	61450	50700	41390	33380	26500	20620	15580		
H5	H2500CC	30	P	17,41	16,52	15,41	14,13	12,77	11,40	10,09	
			Q	92090	76510	62990	51350	41390	32930	25770	
	40	P	13,53	13,40	13,11	12,67	12,09	11,36	10,51		
		Q	80980	67080	55040	44690	35830	28280	21850		
	50	P	16,97	16,38	15,64	14,75	13,73	12,57	11,28		
		Q	69950	57720	47160	38100	30350	23710	18010		
50	P	20,17	19,08	17,83	16,45	14,93	13,28	11,52			

- Funzionamento a 50 Hz
- Per funzionamento a 60 Hz, moltiplicare la resa per 1,18
- Le prestazioni si basano sulla norma europea EN12900
- Non miscelare mai olii estere con olii differenti

- Frequency rate 50 Hz
- For 60 Hz operation, data to be multiplied by 1,18
- Performance data are based on European Standard EN12900
- Never mix ester oils with different oils

- Частота эл. сети 50 Гц
- При частоте эл. сети 60 Гц, данные умножить на 1,18
- Данные по произв-ти получены согласно EN 12900
- Никогда не смешивать полиэфирные масла с др. типами масел

- Frequenz 50 Hz
- Für 60 Hz-Betrieb ist die Leistung mit 1,18 zu multiplizieren
- Leistungswerte basieren auf der europäischen Norm EN 12900
- Niemals Esteröl mit anderen Ölen vermischen



Serie Range Serie Серия	Modello Model Model Модель Тур	Temp. Cond. Cond. Temp. Temp. Конд. Kond. Temp.	Temp. [°C]	Q [W]	Capacità frigorifera Refrigerating capacity Холодопроизв-ть Kälteleistung			P [kW]	Potenza assorbita Power input Потребляемая мощность Leistungsaufnahme				
					Temperatura evaporazione / Evaporating temperature Температура кипения / Verdampfungstemperatur [°C]								
					+10	+5	0		-5	-10	-15	-20	
H5	H3000CC	30	Q	102890	85330	70110	57030	45860	36400	28430			
			P	16,00	15,64	15,17	14,58	13,86	13,02	12,03			
		40	Q	90590	74840	61240	49580	39630	31180	24020			
			P	19,59	18,82	17,93	16,91	15,75	14,44	12,97			
		50	Q	77740	63890	51990	41820	33160	25810	19540			
			P	22,96	21,71	20,32	18,78	17,09	15,23	13,20			
	H3200CC	30	Q	112450	93150	76400	61970	49630	39130	30250			
			P	16,14	15,91	15,57	15,13	14,58	13,93	13,17			
		40	Q	98670	81430	66510	53680	42700	33340	25360			
			P	19,85	19,15	18,35	17,45	16,46	15,38	14,20			
		50	Q	85100	69920	56830	45600	35990	27760	20690			
			P	23,34	22,14	20,84	19,47	18,01	16,46	14,84			
H3400CC	30	Q	124290	103260	85020	69310	55870	44450	34790				
		P	18,08	17,95	17,64	17,15	16,46	15,57	14,47				
	40	Q	109300	90530	74290	60310	48360	38170	29490				
		P	22,57	21,89	21,02	19,95	18,66	17,15	15,42				
	50	Q	94410	77900	63650	51430	40960	32010	24300				
		P	27,00	25,67	24,13	22,37	20,39	18,17	15,70				
H6	H3500CC	30	Q	138130	114760	94490	77030	62090	49390	38660			
			P	20,09	19,95	19,61	19,06	18,29	17,30	16,08			
		40	Q	121470	100610	82560	67030	53750	42420	32770			
			P	25,08	24,33	23,36	22,17	20,74	19,07	17,14			
		50	Q	104930	86570	70740	57150	45520	35570	27010			
			P	30,00	28,53	26,82	24,86	22,66	20,19	17,45			
	H4000CC	30	Q	154340	127990	105160	85540	68790	54600	42640			
			P	23,68	23,24	22,61	21,76	20,71	19,44	17,96			
		40	Q	135880	112260	91860	74360	59440	46770	36030			
			P	29,13	28,07	26,78	25,28	23,54	21,57	19,36			
		50	Q	116610	95830	77980	62720	49740	38710	29310			
			P	34,21	32,40	30,35	28,07	25,53	22,74	19,69			
	H4500CC	30	Q	165460	137600	113420	92600	74790	59660	46850			
			P	26,71	26,12	25,34	24,35	23,15	21,74	20,10			
		40	Q	146510	121520	99890	81290	65380	51810	40240			
			P	32,12	30,86	29,40	27,72	25,82	23,69	21,33			
		50	Q	127580	105480	86420	70050	56050	44070	33770			
			P	37,84	35,79	33,52	31,03	28,31	25,35	22,14			
	H5000CC	30	Q	183580	152660	125850	102740	82980	66190	51980			
			P	29,64	28,99	28,11	27,02	25,69	24,12	22,30			
		40	Q	162560	134830	110830	90190	72540	57480	44650			
			P	35,64	34,24	32,62	30,75	28,64	26,28	23,66			
		50	Q	141550	117030	95880	77720	62190	48900	37470			
			P	41,98	39,71	37,19	34,43	31,41	28,12	24,57			
H7	H5500CC	30	Q	194500	161750	133330	108860	87920	70130	55070			
			P	31,08	30,40	29,49	28,34	26,94	25,30	23,39			
		40	Q	172230	142850	117430	95560	76850	60900	47310			
			P	37,38	35,92	34,21	32,25	30,04	27,56	24,82			
		50	Q	149980	123990	101590	82350	65890	51810	39700			
			P	44,03	41,65	39,01	36,11	32,94	29,50	25,77			
	H6000CC	30	Q	225160	187680	155140	127040	102850	82070	64170			
			P	33,07	33,46	33,00	31,82	30,07	27,89	25,42			
		40	Q	198850	165310	136190	110970	89140	70200	53610			
			P	41,72	40,64	38,83	36,44	33,61	30,47	27,17			
		50	Q	172240	142620	116880	94540	75050	57920	42630			
			P	49,43	46,92	43,83	40,27	36,41	32,37	28,29			
H7500CC	30	Q	246760	205710	170070	139270	112750	89960	70320				
		P	36,87	37,30	36,78	35,47	33,52	31,09	28,34				
	40	Q	218010	181220	149290	121650	97730	76990	58840				
		P	46,51	45,30	43,28	40,62	37,46	33,96	30,29				
	50	Q	188890	156370	128140	103650	82330	63620	46960				
		P	55,10	52,31	48,85	44,89	40,58	36,08	31,54				
H8001CC	30	Q	268360	223740	184990	151500	122650	97850	76470				
		P	40,66	41,14	40,57	39,12	36,97	34,29	31,26				
	40	Q	237160	197140	162400	132330	106320	83780	64080				
		P	51,29	49,96	47,74	44,80	41,31	37,46	33,41				
	50	Q	205550	170120	139390	112760	89600	69310	51290				
		P	60,77	57,69	53,88	49,51	44,76	39,79	34,79				
H9000CC	30	Q	291610	237590	192850	155990	125670	100510	79140				
		P	49,64	48,98	47,03	44,14	40,65	36,90	33,25				
	40	Q	258910	210870	171090	138190	110810	87590	67150				
		P	59,58	57,02	53,34	48,90	44,02	39,07	34,38				
	50	Q	225100	183560	149280	120870	96980	76230	57260				
		P	68,79	64,54	59,35	53,56	47,52	41,57	36,06				

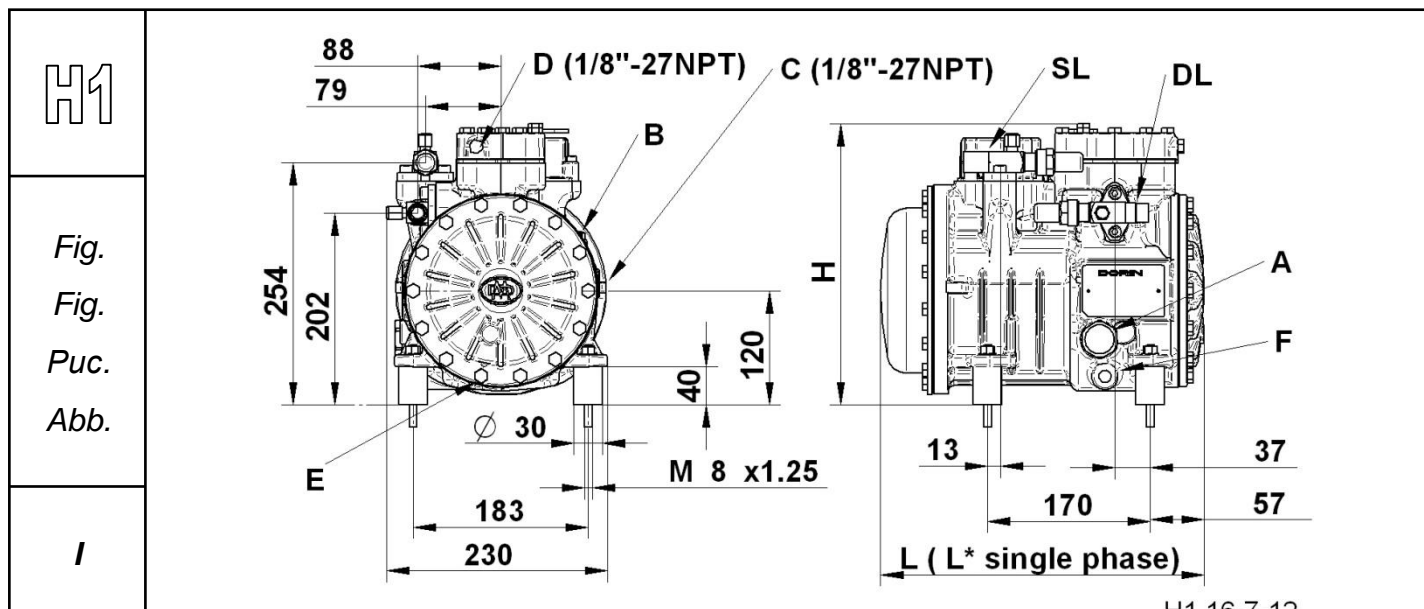
- Funzionamento a 50 Hz
- Per funzionamento a 60 Hz, moltiplicare la resa per 1,18
- Le prestazioni si basano sulla norma europea EN12900
- Non miscelare mai olii estere con olii differenti

- Frequency rate 50 Hz
- For 60 Hz operation, data to be multiplied by 1,18
- Performance data are based on European Standard EN12900
- Never mix ester oils with different oils

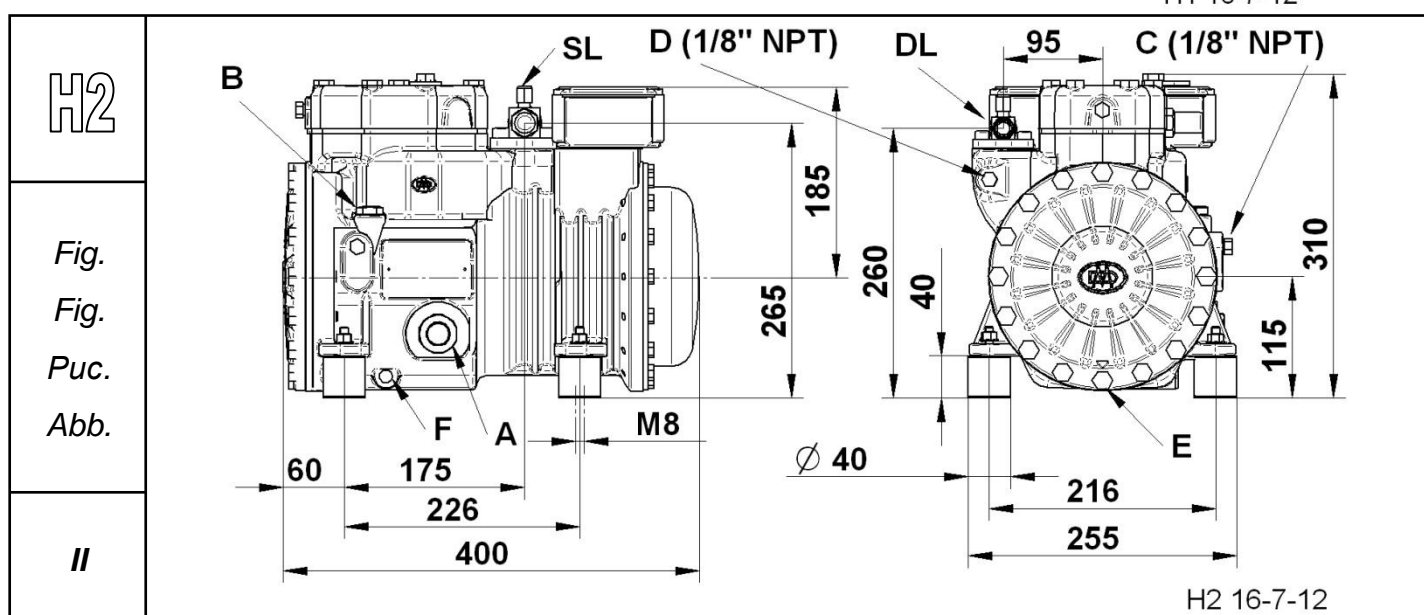
- Частота эл. сети 50 Гц
- При частоте эл. сети 60 Гц, данные умножить на 1,18
- Данные по произв-ти получены согласно EN 12900
- Никогда не смешивать полиэфирные масла с др. типами масел

- Frequenz 50 Hz
- Für 60 Hz-Betrieb ist die Leistung mit 1,18 zu multiplizieren
- Leistungswerte basieren auf der europäischen Norm EN 12900
- Niemals Esteröl mit anderen Ölen vermischen





H1 16-7-12



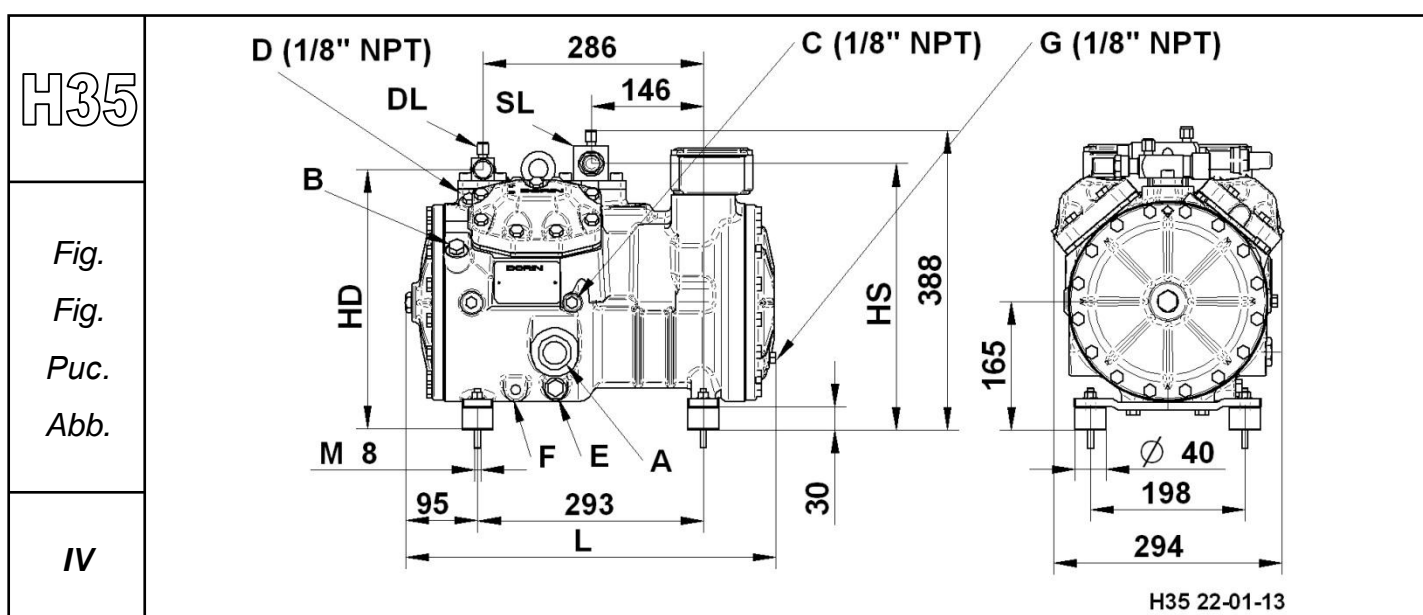
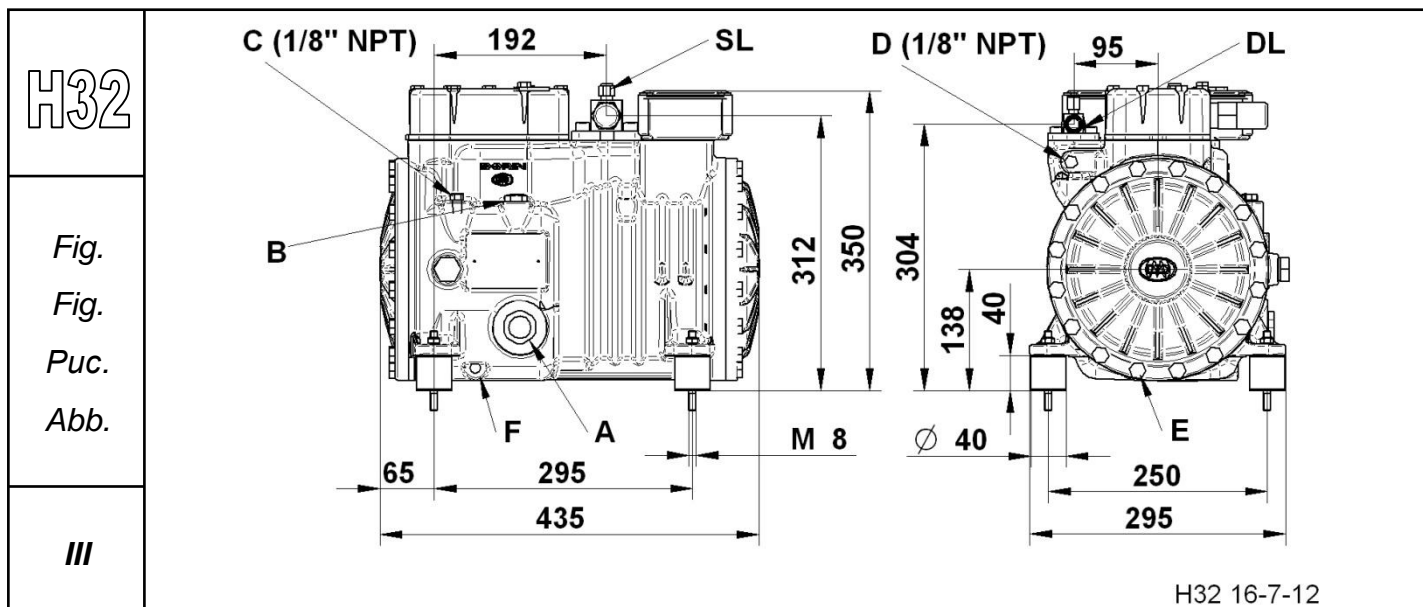
H2 16-7-12

Serie Range Серия Serie	Modello Model Модель Typ	Figura Figure Рисунок Abbildung	L	L*	H
			[mm]	[mm]	[mm]
H1	H40CC	I	290	305	285
	H50CS	I	290	305	285
	H75CC	I	290	316	285
	H75CS	I	290	316	285
	H100CC	I	305	325	285
	H100CS	I	305	325	285
	H150CC	I	305	340	285
	H150CS	I	305	340	285
	H180CC	I	325	357	285
	H180CS	I	325	357	285

Serie Range Серия Serie	Modello Model Модель Typ	Figura Figure Рисунок Abbildung	L	L*	H
			[mm]	[mm]	[mm]
H1	H200CC	I	325	357	285
	H200CS	I	325	357	290
	H220CC	I	325	357	290
	H220CS	I	325	357	290
	H250CC	I	340	357	295
	H250CS	I	325	357	290
	H280CC	I	340	357	295
	H280SB	I	325	---	317
	H280CS	I	340	---	317

Serie Range Серия Serie	Modello Model Модель Typ	Figura Figure Рисунок Abbildung
H300CC	II	
H300CS	II	
H350CC	II	
H350SB	II	
H380CC	II	
H380SB	II	
H390CS	II	
H392CS	II	

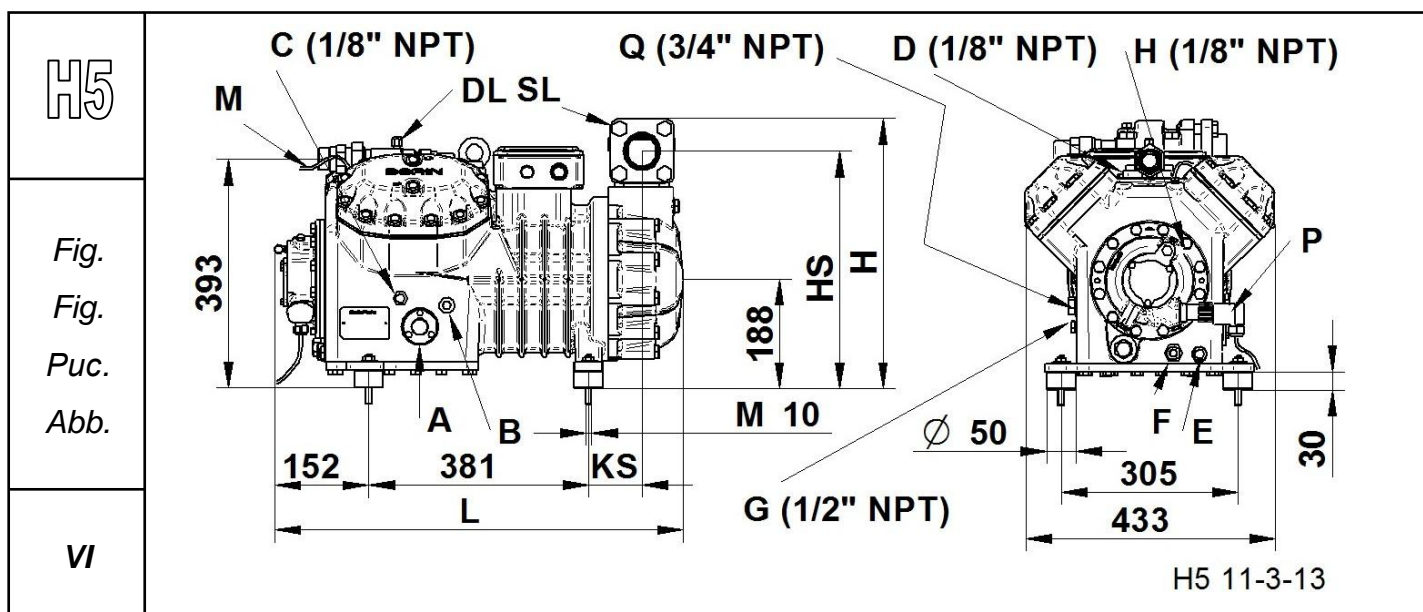
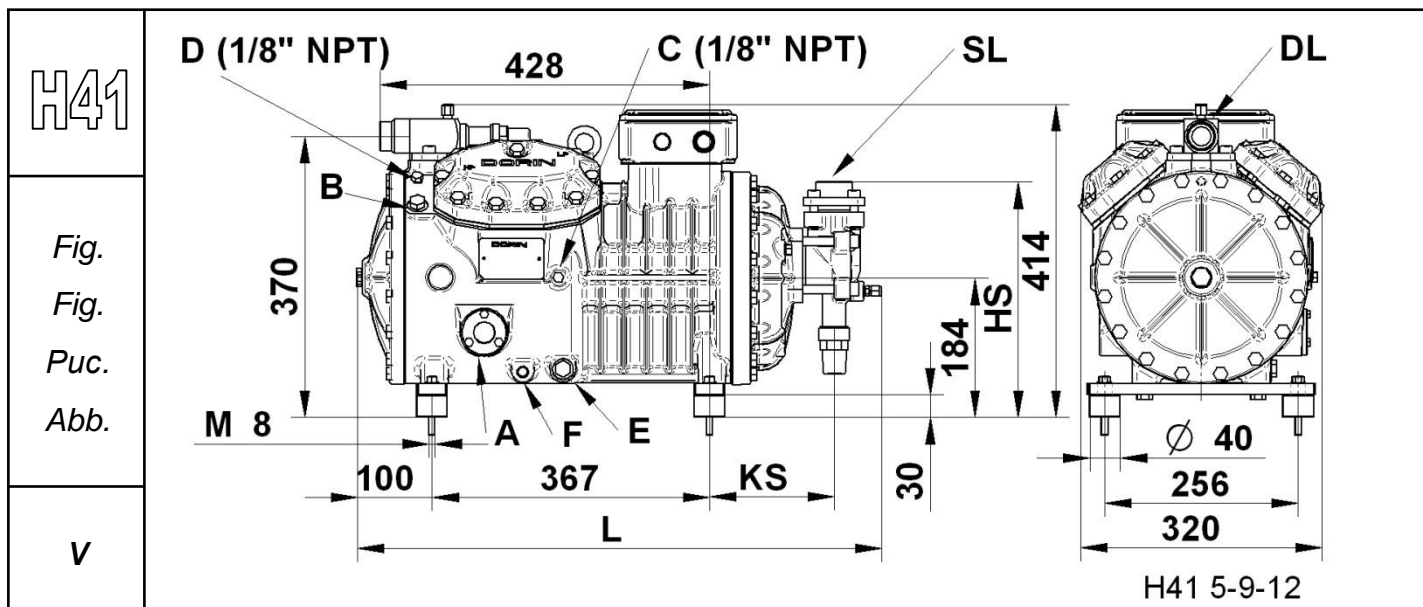
A - Spia Olio B - Tappo carica Olio C - Presa Bassa Pres. D - Presa Alta Pres. E - Tappo scarica olio F - Resistenza carter DL - Rubinetto Compressione SL - Rubinetto Aspirazione	A - Oil sight B - Oil charge plug C - Low pressure tap D - High pressure tap E - Oil drain plug F - Crankcase heater DL - Discharge service valve SL - Suction service valve	A - Смотр. стекло по маслу B - Заглушка (запр. маслом) C - Заглушка (всасывание, НД) D - Заглушка (нагнетание, ВД) E - Заглушка (слив масла) F - ТЭН подогрева картера DL - Вентиль (нагнетание) SL - Вентиль (всасывание)	A - Ölschauglas B - Ölfüllstopfen C - Anschluss Niederdruck D - Anschluss Hochdruck E - Ölablaß F - Ölsumpfheizung DL - Druckabsperrventil SL - Saugabsperrventil
---	---	---	--



Serie Range Серия Serie	Modello Model Модель Typ	Figura Figure Рисунок Abbildungung
<b>H32</b>	H403CC	III
	H403CS	III
	H503CC	III
	H503CS	III
	H743CC	III

Serie Range Серия Serie	Modello Model Модель Typ	Figura Figure Рисунок Abbildungung	L	HS	HD
			[mm]	[mm]	[mm]
<b>H35</b>	H401CS	IV	480	344	336
	H451CC	IV	480	344	336
	H451CS	IV	480	347	336
	H551CC	IV	480	347	336
	H551CS	IV	480	347	340
	H701CC	IV	480	347	340
	H701CS	IV	480	347	340
	H751CC	IV	480	347	340
	H751CS	IV	480	347	340
	H1002CC	IV	530	347	340
	H801CS	IV	480	347	340
	H1003CC	IV	530	347	340

A - Spia Olio B - Tappo carica Olio C - Presa Bassa Pres. D - Presa Alta Pres. E - Tappo scarica olio F - Resistenza carter G - Tappo ritorno olio DL - Rubinetto Compressione SL - Rubinetto Aspirazione	A - Oil sight B - Oil charge plug C - Low pressure tap D - High pressure tap E - Oil drain plug F - Crankcase heater G - Oil return DL - Discharge service valve SL - Suction service valve	A - Смотр. стекло по маслу B - Заглушка (запр. маслом) C - Заглушка (всасывание, НД) D - Заглушка (нагнетание, ВД) E - Заглушка (слив масла) F - ТЭН подогрева картера G - Заглушка (возвр. масла) DL - Вентиль (нагнетание) SL - Вентиль (всасывание)	A - Ölschauglas B - Ölfüllstopfen C - Anschluss Niederdruck D - Anschluss Hochdruck E - Ölablaß F - Ölsumpfheizung G - Ölrückführung DL - Druckabsperrventil SL - Saugabsperrventil
---	---	--	---

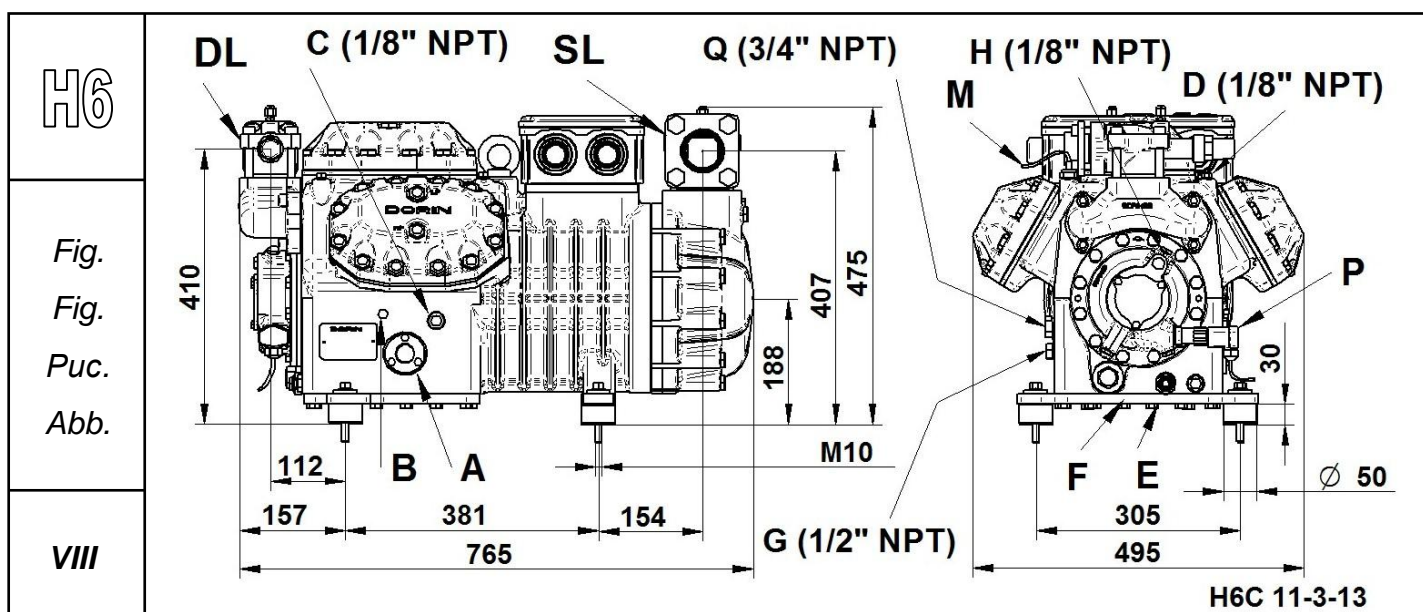
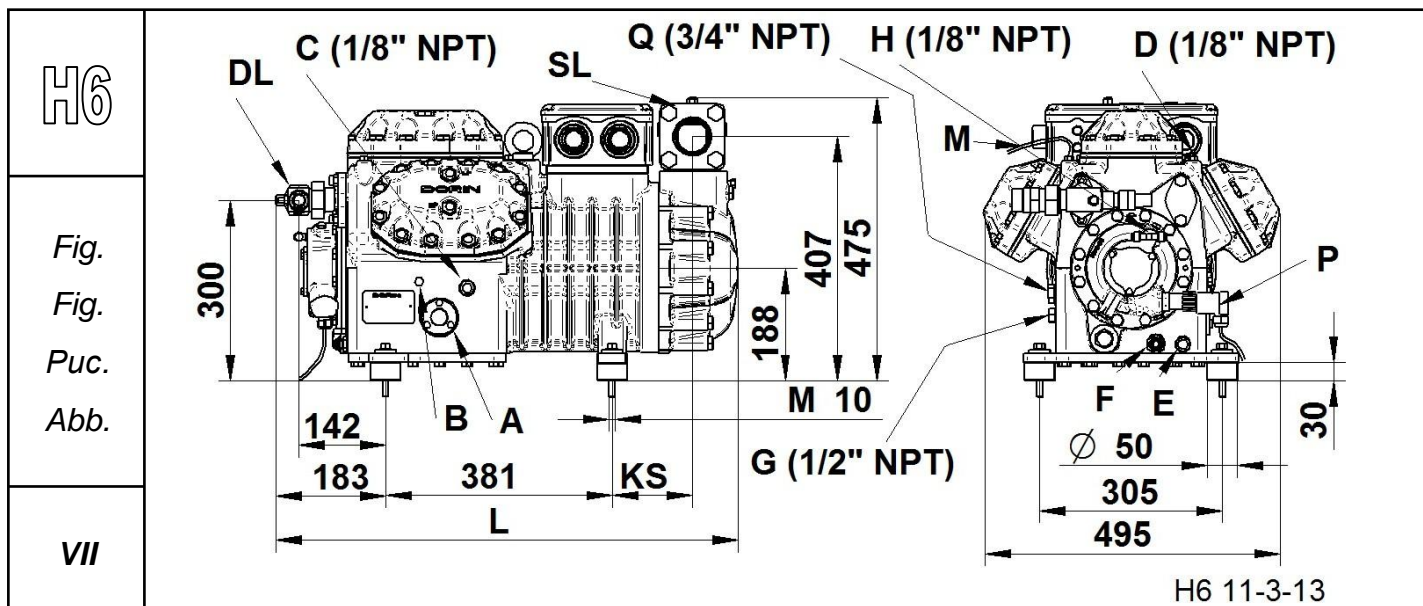


Serie Range Серия Serie	Modello Model Модель Typ	Figura Figure Рисунок Abbildung	L	KS	HS
			[mm]	[mm]	[mm]
H41	H851CS	V	650	143	254
	H1201CC	V	650	143	254
	H1001CS	V	650	143	254
	H1501CC	V	695	166	313
	H1501CS	V	650	143	254
	H2001CC	V	695	166	313
	H1601CS	V	695	166	313
	H2201CC	V	695	166	313

Serie Range Серия Serie	Modello Model Модель Typ	Figura Figure Рисунок Abbildung	L	H	KS	HS
			[mm]	[mm]	[mm]	[mm]
H5	H2000CS	VI	695	445	84	391
	H2500CC	VI	720	470	112	409
	H2500CS	VI	700	470	92	409
	H3000CC	VI	720	470	112	409
	H2700CS	VI	700	470	92	409
	H3200CC	VI	720	470	112	409
	H2900CS	VI	700	470	92	409
	H3400CC	VI	720	470	112	409

<p>A - Spia Olio B - Tappo carica Olio C - Presa Bassa Pres. D - Presa Alta Pres. E - Tappo scarica olio F - Resistenza carter G - Tappo ritorno olio H - Presa alta press. pompa M - Sens. max temp. mand. P - Press. diff. olio electr. Q - Equalizzazione gas DL - Rubinetto Compressione SL - Rubinetto Aspirazione</p>	<p>A - Oil sight B - Oil charge plug C - Low pressure tap D - High pressure tap E - Oil drain plug F - Crankcase heater G - Oil return H - Oil pressure tap M - Max disch. temp. sensor P - Oil diff. pressure switch Q - Gas equalisation DL - Discharge service valve SL - Suction service valve</p>	<p>A - Смотр. стекло по маслу B - Заглушка (запр. маслом) C - Заглушка (всасывание, НД) D - Заглушка (нагнетание, ВД) E - Заглушка (слив масла) F - ТЭН подогрева картера G - Заглушка (возвр. масла) H - Загл. реле контроля смазки (PKC) M - Датчик темп-ры нагр. газа P - Электрон. PKC Q - Выравнивание по газу DL - Вентиль (нагнетание) SL - Вентиль (всасывание)</p>	<p>A - Ölschauglas B - Öfüllstopfen C - Anschluss Niederdruck D - Anschluss Hochdruck E - Ölablaß F - Ölsumpfheizung G - Ölrückführung H - Öldruckanschluss M - Druckgasfühler P - Öldifferenzdruckschalter Q - Gasausgleich DL - Druckabsperrventil SL - Saugabsperrventil</p>
---	--	---	---

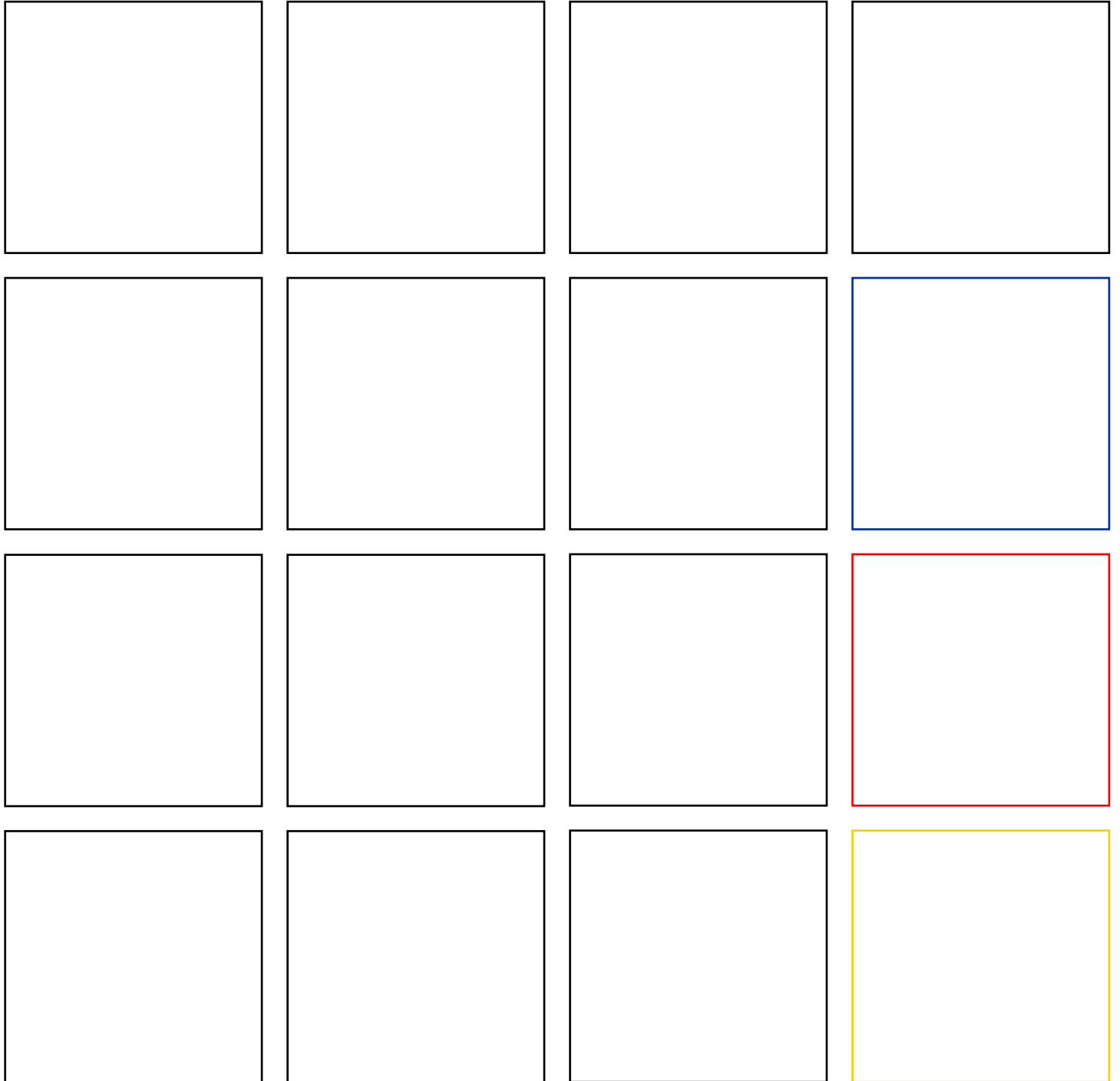




Serie Range Серия Serie	Modello Model Модель Typ	Figura Figure Рисунок Abbildung	L	KS
			[mm]	[mm]
H6	H3000CS	VII	770	134
	H3500CC	VII	790	154
	H3500CS	VII	770	134
	H4000CC	VII	790	154
	H4000CS	VIII		
	H4500CC	VIII		
	H4500CS	VIII		
	H5000CC	VIII		

A - Spia Olio B - Tappo carica Olio C - Presa Bassa Pres. D - Presa Alta Pres. E - Tappo scarica olio F - Resistenza carter G - Tappo ritorno olio H - Presa alta press. pompa M - Sens. max temp. mand. P - Press. diff. olio elettr. Q - Equalizzazione gas DL - Rubinetto Compressione SL - Rubinetto Aspirazione	A - Oil sight B - Oil charge plug C - Low pressure tap D - High pressure tap E - Oil drain plug F - Crankcase heater G - Oil return H - Oil pressure tap M - Max disch. temp. sensor P - Oil diff. pressure switch Q - Gas equalisation DL - Discharge service valve SL - Suction service valve	A - Смотр. стекло по маслу B - Заглушка (запр. маслом) C - Заглушка (всасывание, НД) D - Заглушка (нагнетание, ВД) E - Заглушка (слив масла) F - ТЭН подогрева картера G - Заглушка (возвр. масла) H - Загл. реле контроля смазки (PKC) M - Датчик темп-ры нагн. газа P - Электрон. PKC Q - Выравнивание по газу DL - Вентиль (нагнетание) SL - Вентиль (всасывание)	A - Ölschauglas B - Ölfüllstopfen C - Anschluss Niederdruck D - Anschluss Hochdruck E - Ölablaß F - Ölsumpheizung G - Ölrückführung H - Öldruckanschluss M - Druckgasfühler P - Öldifferenzdruckschalter Q - Gasausgleich DL - Druckabsperrventil SL - Saugabsperrventil
--	---	--	--





**OFFICINE MARIO DORIN S.p.A.**

Via Aretina, 388; 50061 Compiobbi Firenze (Italy)

Tel. +39.055.623211 - Fax +39.055.62321380

[www.dorin.com](http://www.dorin.com) - [dorin@dorin.com](mailto:dorin@dorin.com)

[www.dorinus.ru](http://www.dorinus.ru) - [dorin@dorinus.ru](mailto:dorin@dorinus.ru)