



Products

Fittings

Automatic Quick Couplings

Valve

Cylinders

FRL

Mini FRL Series

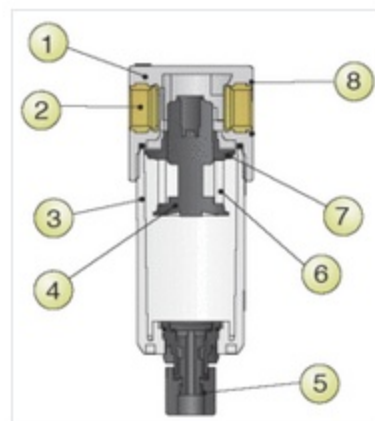
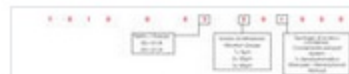
FRL Series

ACCESSORIES Series

Infinity

Last update: 26/01/2015

Serie FRL Mini: Art. T010 Mini - Filter



Beyond standard items on our catalogue, you can ask for special items as shown in the chart below.

Component Parts and Materials

- 1 Technopolymeric Body
- 2 Brass Threaded insert
- 3 Technopolymeric Bowl
- 4 Technopolymeric Filter ring
- 5 Technopolymeric Condensate exhaust
- 6 PE Filtering cartridge
- 7 Technopolymeric Slinger
- 8 NBR O-Ring

Fluid	Compressed air.
Threaded fastening	1/8" - 1/4"
Filtration Grade	5µm - 50µm 20µm Standard
6 bar Flow rate with Δp 1 bar	800 Nl/min
Maximum Pressure	15 bar
Temperature	-10 / 50°C
Assembling position	vertical
Bowl Capacity	17.5 cm ³
Moisture Exhaust	Manual - Semi automatic