

**ACC Headquarters**

Via Consorziale 13
33170 Pordenone - Italy
Phone: +39 0434 3931
Fax: +39 0434 393224
E-mail: acc.info@accomp.it

ACC Compressors

Household Cold
Phone: +39 0437 756210
Fax: +39 0437 756508

ACC Asia Pacific

Zanussi Elettromeccania Tianjin Compressor Co., Ltd.
25 Jiuqing Road - Hedong District - 300171 Tianjin - China
Phone: +86-22-24302642
Fax: + 86-22-24212283
E-mail: tjsales@acc.tj.cn

ACC USA

113 Jetplex Circle Suite B1
Madison 35758, Alabama - USA
Phone: +01 256 464 5016
Fax: +01 256 464 8482
E-mail: acc.usa@accomp.it

GENERAL CATALOGUE

COMPRESSORS

R600a - R134a

All solutions inside.



**ALL SOLUTIONS INSIDE.
GENERAL CATALOGUE**

R600A
TECHNICAL DATA

R134A
TECHNICAL DATA

VARIABLE SPEED
TECHNICAL DATA

R600A/R134A/ VARIABLE SPEED
OUTLINE DRAWINGS
TECHNICAL DRAWINGS

We lead the refrigeration world.

ACC Appliances Components Companies is an independent Group and one of the leading players in the household appliance industry.

ACC Compressors specializes in the design and manufacture of compressors distributed to appliance producers worldwide. By providing a cutting-edge product offering across its model ranges, ACC is able to satisfy an array of diverse customer requirements. The Group's production is situated in Europe and China. These strategic locations allow ACC to maximize the combination of technological heritage and a strong R&D capacity with production platforms. Each plant's know-how and expertise is spread throughout the production network to provide a broad spectrum of solutions to the refrigeration industry.

R600a range

Model	Displ. cc	Motor cooling	Motor Type	Oil charge cc	Net weight kg	Cooling Capacity						CECOMAF -25°C W	COP without RC		COP with RC		LRA max A	Rated current (-23.3°C/+55°C)		Overload Protector 3/4"		ECC Terminal Board*		Run Capacitor µF	Optional/ Mandatory	Height (h) mm	
						ASHRAE							ASHRAE -23.3°C W/W	CECOMAF -25°C W/W	ASHRAE -23.3°C W/W	CECOMAF -25°C W/W		Without RC A	With RC A	Option 1	Option 2	Option 1	Option 2				
						-30°C W	-25°C W	-23.3°C W	-20°C W	-15°C W	-10°C W																
R600a 220-240 V 50 Hz																											
Regular efficiency																											
HQM55AA	5.46	S	RSIR	180	8.2	53	76	83	100	127	158	62	1.20	0.93	7.1	0.58	AE25FU	T0602	xyF2	xyC6							167.9
HQM70AA	6.64	S	RSIR	180	8.2	71	97	106	126	159	197	79	1.26	0.98	7.1	0.61	AE25FU	T0602	xyF2	xyC6							167.9
HQM75AA	7.39	S	RSIR	180	8.2	78	106	116	140	177	219	87	1.28	1.00	7.5	0.66	AE18FU	T0366	xyF5	xyCA							167.9
HQM80AA	8.10	S	RSIR	180	8.2	88	120	130	155	195	240	99	1.29	1.02	7.5	0.68	AE18FU	B68120	xyF5	xyM4							167.9
HQM90AA	9.08	S	RSIR	210	8.8	102	134	144	172	220	277	110	1.29	1.02	9.3	0.82	AE15BU	T0062	xyFC	xyCF							175.5
HQM99AA	9.93	S	RSIR	210	8.8	109	144	156	186	237	295	119	1.29	1.03	9.3	0.84	AE15BU	T0062	xyFC	xyCF							175.5
HQM11AA	10.70	S	RSIR	210	9.2	117	155	169	201	256	321	127	1.27	1.00	12.0	1.04	AE11FU	T0502	xyFA	xyCE							175.5
HQM12AA	12.09	S	RSIR	210	9.2	128	170	187	221	280	349	140	1.27	1.01	12.0	1.09	AE11FU	T0502	xyFA	xyCE							175.5
HSR050AA	3.67	S	RSIR	180	7.6	36	51	57	70	91	115	42	1.18	0.91	6.6	0.45	AE23AHY	T0647	xyF3	xyC3							161.5
HSR065AA	4.56	S	RSIR	180	7.6	50	67	74	90	116	149	55	1.23	0.95	6.6	0.45	AE23AHY	T0647	xyF3	xyC3							161.5
HSR080AA	5.45	S	RSIR	180	7.8	59	81	90	107	138	173	67	1.34	1.05	7.1	0.56	AE25FJ	B40115	xyF6	xyM1							161.5
HSR100AA	6.64	S	RSIR	180	7.8	76	101	110	131	167	209	83	1.40	1.11	6.7	0.52	AE25FJ	B40115	xyF6	xyM1							161.5
HSR115AA	8.09	S	RSIR	180	8.0	92	121	133	158	202	256	99	1.42	1.11	8.3	0.65	AE37FJ	B62110	xyF7	xyM3							161.5
High efficiency																											
HVY44AA	4.38	S	RSIR/RSCR	160	7.1	48	64	71	84	108	134	53	1.27	1.00	1.33	1.04	5.1	0.42	0.29	AE23BY	B34105	xyF0	xyM0	2.0	Optional	159.5	
HVY57AA	5.73	S	RSIR/RSCR	160	7.2	57	79	88	106	136	171	65	1.31	1.02	1.38	1.07	6.3	0.49	0.33	AE25FY	B44105	xyFG	xyM2	3.0	Optional	159.5	
HVY67AA	6.75	S	RSIR/RSCR	160	7.6	70	98	107	128	164	205	80	1.36	1.07	1.45	1.13	7.0	0.54	0.38	AE25FY	B44105	xyFG	xyM2	3.0	Optional	169.5	
HVY75AA	7.52	S	RSIR/RSCR	160	7.8	78	107	117	141	179	224	88	1.38	1.09	1.47	1.16	8.1	0.58	0.41	AE25FJ	B40115	xyF6	xyM1	3.0	Optional	169.5	
HQY45AA	4.56	S	RSIR/RSCR	210	8.7	44	63	70	84	108	135	52	1.25	0.98	1.32	1.02	5.4	0.41	0.27	AE23AHM	T0299	xyFE	xyCC	2.5	Optional	175.5	
HQY55AA	5.46	S	RSIR/RSCR	210	8.9	53	76	84	100	127	158	62	1.33	1.03	1.41	1.09	6.3	0.45	0.3	AE23BY	T0492	xyF0	xyCB	3.0	Optional	175.5	
HQY70AA	6.64	S	RSIR/RSCR	210	9.0	72	98	107	127	160	197	80	1.38	1.08	1.46	1.16	8.1	0.53	0.37	AE24AHS	T0486	xyFF	xyC9	3.0	Optional	175.5	
HQY75AA	7.39	S	RSIR/RSCR	210	9.2	80	108	119	141	179	222	89	1.40	1.10	1.49	1.17	8.6	0.60	0.42	AE37FJ	T0602	xyF7	xyC6	3.0	Optional	175.5	
HQY80AA	8.10	S	RSIR/RSCR	210	9.2	90	120	131	156	198	244	99	1.41	1.11	1.49	1.18	8.6	0.62	0.45	AE37FJ	B62110	xyF7	xyM3	3.0	Optional	175	
HQY90AA	9.05	S	RSIR/RSCR	210	9.5	102	134	145	173	222	280	110	1.41	1.12	1.49	1.18	9.3	0.71	0.50	AE37FJ	B68120	xyF7	xyM4	4.0	Optional	175	
HQY99AA	9.93	S	RSIR/RSCR	210	9.6	109	144	158	188	241	302	119	1.40	1.10	1.47	1.17	11.7	0.80	0.57	AE18FU	T0366	xyF5	xyCA	4.0	Optional	186.1	
HQY11AA	10.70	S	RSIR/RSCR	210	9.8	119	156	170	202	257	321	128	1.37	1.08	1.45	1.14	11.7	0.85	0.62	AE18FU	T0366	xyF5	xyCA	4.0	Optional	186.1	
HQY12AA	12.09	S	RSIR/RSCR	210	10.0	128	172	190	223	284	354	142	1.37	1.08	1.45	1.14	12.1	1.00	0.74	AE72FU	T0530	xyFP	xyCL	4.0	Optional	186.1	
HSH050AA	3.67	S	RSIR/RSCR	180	8.2	36	51	57	70	91	115	42	1.28	0.98	1.34	1.02	5.3	0.31	0.21	AE23AHY	B3095	xyF3	xyM8	2.0	Optional	161.5	
HSH065AA	4.56	S	RSIR/RSCR	180	8.5	50	67	74	90	116	148	55	1.32	1.02	1.39	1.08	6.0	0.40	0.29	AE23FLS	B37110	xyFT	xyM7	2.0	Optional	167.5	
HSH080AA	5.45	S	RSIR/RSCR	180	8.5	59	81	90	107	138	173	67	1.44	1.14	1.51	1.18	6.0	0.42	0.31	AE23FLS	B37110	xyFT	xyM7	2.0	Optional	167.5	
HSH100AA	6.64	S	RSIR/RSCR	180	8.7	77	104	114	135	172	213	85	1.49	1.16	1.57	1.23	8.1	0.52	0.38	AE25FJ	B40115	xyF6	xyM1	2.5	Optional	167.5	
HSH115AA	8.09	S	RSIR/RSCR	180	8.7	92	122	134	159	205	258	100	1.50	1.18	1.57	1.23	7.8	0.59	0.46	AE37FJ	B62110	xyF7	xyM3	3.0	Optional	167.5	
HMK80AA*	8.10	S	RSIR					136				102	1.50	1.18													157.5
HMK95AA	9.60	S	RSIR	170	7.9	113	152	167	198	252	313	125	1.53	1.20			10.1	0.73		AE18FU	4TM222NFB	xyF5	xy6C			157.5	
HMK12AA	11.20	S	RSIR	170	8.5	137	181	198	233	291	355	149	1.53	1.20			13.3	0.91		AE72FU	4TM293NFB	xyFP	xy6L			165.5	

Compressor cooling:
S = static
F = fan cooled
OC = oil cooler

Test conditions:

Evaporating temperature
Condensing temperature
Subcooling temperature
Suction temperature
Ambient temperature
Voltage/frequency

Ashrae	Cecomaf
-23.3°C	-25°C
55°C	55°C
32°C	55°C
32°C	32°C
32°C	32°C
220V 50Hz	220V 50Hz

Capacity conversion:

Capacity (W) / 1.163 = Capacity (kcal/h)
Capacity (W) = capacity (Btu/h) / 0.252

All models are approved according to EN 60335 - 2 - 34.
"Particular requirements for motor-compressor".

ECC Terminal Board

Short Code	Contact version
T	Standard 4.8 Frontal bent 4.8 with 5 th contact
V	Standard 4.8 Frontal bent 6.3 with 5 th contact
Z	Standard 4.8 Frontal bent 4.8
C	Standard 4.8
L	Standard 4.8 with 5 th contact
H	Rast 5 4.8

ECC Terminal Board

Short Code	Contact version
M	Rast 5 4.8 with 5 th contact
S	Rast 5 4.8 no frost
F	Standard 6.3
D	Standard 6.3 frontal bent 6.3
K	Rast 5 6.3
P	Rast 5 4.8 - 6.3 with 5 th contact

* x for different contact version
y for different PTC version (when available)

• Provisional data

For detailed information please refer to the Product Specification on our web site: www.the-acc-group.com

R600a range

Model	Displ. cc	Motor cooling	Motor Type	Oil charge cc	Net weight kg	Cooling Capacity						CECOMAF -25°C W	COP without RC		COP with RC		LRA max A	Rated current (-23.3°C/+55°C)		Overload Protector 3/4"		ECC Terminal Board*		Run Capacitor µF	Height (h) mm	
						ASHRAE							ASHRAE	CECOMAF	ASHRAE	CECOMAF		Without RC A	With RC A	Option 1	Option 2	Option 1	Option 2			
						-30°C W	-25°C W	-23.3°C W	-20°C W	-15°C W	-10°C W		-23.3°C W/W	-25°C W/W	-23.3°C W/W	-25°C W/W										
R600a 220-240 V 50 Hz																										
Top efficiency																										
HST050AA	3.67	S	RSCR	180	9.4	36	51	57	69	91	115	42			1.45	1.14	4.6	0.18	AE23AHY	B3095	xyF3	xyM8	2.0	Mandatory	167.5	
HST065AA	4.56	S	RSCR	180	9.4	50	67	74	90	116	149	55			1.48	1.15	4.8	0.24	AE23AHY	B34105	xyF3	xyM0	2.0	Mandatory	167.5	
HST080AA	5.45	S	RSCR	180	9.4	59	83	91	109	140	174	68			1.59	1.24	6.6	0.27	AE23FLS	B37110	xyFT	xyM7	2.5	Mandatory	167.5	
HST100AA	6.64	S	RSCR	180	9.4	78	104	114	135	172	214	85			1.62	1.27	7.3	0.35	AE25FJ	B40115	xyF6	xyM1	3.0	Mandatory	167.5	
HST115AA	8.09	S	RSCR	180	9.4	92	122	134	160	207	263	100			1.64	1.28	7.3	0.39	AE25FJ	B40115	xyF6	xyM1	3.0	Mandatory	167.5	
HYK55AA	5.60	S	RSIR/RSCR	170	7.8	59	84	93	112	145	183	69	1.48	1.15	1.55	1.21	6.2	0.39	0.28	AE23FLS	T0846	xyFT	xyH5	2.5	Optional	159
HYK70AA	6.60	S	RSIR/RSCR	165	8.4	77	106	117	141	180	226	87	1.52	1.19	1.60	1.24	8.2	0.49	0.35	AE18FJ	T0602	xyF8	xyC6	3.0	Optional	159
HYK80AA	8.10	S	RSIR/RSCR	170	7.9	92	123	136	162	207	258	101	1.54	1.20	1.60	1.25	7.8	0.57	0.44	AE13FU	T0453	xyFB	xyC7	2.5	Optional	159
HYK95AA	9.60	S	RSIR/RSCR	170	8.4	115	154	167	199	252	313	126	1.57	1.22	1.64	1.29	10.5	0.75	0.54	AE22FQ	T0730	xyFD	xyCR	4.0	Optional	159
HYK12AA	11.20	S	RSIR/RSCR	165	9.1	137	181	198	233	291	355	149	1.57	1.23	1.64	1.28	12.4	0.86	0.63	AE15BU	T0366	xyFC	xyCA	4.0	Optional	167
HTK55AA	5.60	S	RSIR/RSCR	170	7.9	59	84	93	110	145	183	69	1.55	1.21	1.61	1.25	6.8	0.35	0.28	AE23BY	4TM142KFB	xyF0	xy80	2.5 / 2.0	Optional	159
HTK70AA	6.60	S	RSIR/RSCR	170	8.1	77	106	117	140	180	226	87	1.60	1.24	1.66	1.30	8.3	0.44	0.35	AE25FU	B43120	xyF2	xyME	3.0 / 2.5	Optional	159
HTK80AA	8.10	S	RSIR/RSCR	170	8.0	92	123	136	160	207	258	102	1.60	1.25	1.66	1.31	7.7	0.52	0.40	AE25FU	B43120	xyF2	xyME	2.5	Optional	159
HTK95AA	9.60	S	RSIR/RSCR	170	8.1	115	154	167	199	252	312	126	1.64	1.29	1.70	1.34	8.9	0.62	0.46	AE18FU	B64120	xyF5	xyMD	3.0 / 4.0	Optional	159
HTK12AA	11.20	S	RSIR/RSCR	170	8.6	137	181	198	233	291	355	149	1.64	1.28	1.70	1.34	11.9	0.79	0.62	AE72FU	4TM265NFB	xyFP	xy6F	4.0 / 5.0	Optional	167
HKK55AA**	5.60	S	RSCR	165	8.5	59	84	93	112	145	183	69			1.71	1.35	6.8	0.26		AE24AHS	4TM149KFB	xHFF	xH82	2.5	Mandatory	159
HKK70AA**	6.60	S	RSCR	165	8.5	77	106	117	141	180	226	87			1.74	1.38	7.1	0.32		AE25FJ	4TM174NFB	xHF6	xy68	2.5	Mandatory	159
HKK80AA**	8.10	S	RSCR	170	9.0	92	123	136	162	207	258	101			1.77	1.40	8.3	0.36		AE24FW	B68120	xHF4	xHM4	3.0	Mandatory	167
HKK95AA	9.60	S	RSCR	170	9.1	115	154	167	199	252	313	126			1.80	1.42	11.7	0.45		AE15BU	4TM232NFB	xyFC	xy6E	5.0	Mandatory	167
HKK12AA	11.20	S	RSCR	165	9.3	137	181	198	233	291	355	150			1.80	1.42	13.2	0.53		AE72FU	4TM293NFB	xyFP	xy6L	5.0	Mandatory	167
HXK55AA	5.60	S	RSCR	165	8.5	64	88	97	116	148	185	72			1.83	1.45	6.7	0.25		AE25FJ	B43115	xXF6	xXMW	3.0	Mandatory	159
HXK70AA	6.60	S	RSCR	165	8.5	79	107	118	141	180	226	88			1.86	1.46	7.7	0.30		AE25FJ	B43115	xXF6	xXMW	3.0	Mandatory	167
HXK80AA	8.10	S	RSCR	165	9.0	96	128	140	166	210	260	105			1.90	1.50	8.2	0.35		AE24FW	B45120	xXF4	xXMP	3.0	Mandatory	167
HXK95AA	9.60	S	RSCR	165	9.3	119	157	171	202	254	314	129			1.91	1.51	9.9	0.43		AE18FU	B64120	xXF5	xXMD	4.0	Mandatory	167
HXK12AA	11.20	S	RSCR	165	9.6	139	185	202	238	298	365	152			1.90	1.50	11.1	0.52		AE72FU	B86120	xXFP	xXMT	4.0	Mandatory	167

Model	Displ. cc	Motor cooling	Motor Type	Oil charge cc	Net weight kg	Cooling Capacity 50 Hz						COP 50 Hz		Cooling Capacity 60 Hz						COP 60 Hz		LRA max A	Rated current A	Overload Protector 3/4"		ECC Terminal Board*		Run Capacitor µF	Height (h) mm			
						ASHRAE						CECOMAF	ASHRAE	CECOMAF	ASHRAE						CECOMAF			ASHRAE	CECOMAF	Option 1	Option 2			Option 1	Option 2	
						-30°C W	-25°C W	-23.3°C W	-20°C W	-15°C W	-10°C W	-25°C W	-23.3°C W/W	-25°C W/W	-30°C W	-25°C W	-23.3°C W	-20°C W	-15°C W	-10°C W	-25°C W			-23.3°C W/W	-25°C W/W							
R600a 100 V 50/60 Hz																																
Top efficiency																																
HQT80AJ	8.10	S	RSCR	210	9.7	90	119	131	156	199	248	98	1.41	1.10	106	141	156	185	236	294	116	1.44	1.14	19.2	1.37		T0683		xyCV	10.0	Mandatory	175.5
HQT99AJ	9.93	S	RSCR	210	9.9	109	145	159	190	243	306	120	1.42	1.18	124	166	185	221	286	361	137	1.45	1.14	18.9	1.66	AE82PW		xyFW		10.0	Mandatory	186.1

Compressor cooling: S = static F = fan cooled OC = oil cooler Voltage range: Vn -15% +10% Max ambient temperature: 43°C	Test conditions: Evaporating temperature Condensing temperature Subcooling temperature Suction temperature Ambient temperature Voltage/frequency	Ashrae -23.3°C 55°C 32°C 32°C 32°C 220V 50Hz Cecomaf -25°C 55°C 55°C 32°C 32°C 220V 50Hz	Capacity conversion: Capacity (W) / 1.163 = Capacity (kcal/h) Capacity (W) = capacity (Btu/h) / 0.252 All models are approved according to EN 60335 - 2 - 34. "Particular requirements for motor-compressor".	ECC Terminal Board <table border="0"> <tr><th>Short Code</th><th>Contact version</th></tr> <tr><td>T</td><td>Standard 4.8 Frontal bent 4.8 with 5th contact</td></tr> <tr><td>V</td><td>Standard 4.8 Frontal bent 6.3 with 5th contact</td></tr> <tr><td>Z</td><td>Standard 4.8 Frontal bent 4.8</td></tr> <tr><td>C</td><td>Standard 4.8</td></tr> <tr><td>L</td><td>Standard 4.8 with 5th contact</td></tr> <tr><td>H</td><td>Rast 5 4.8</td></tr> </table>	Short Code	Contact version	T	Standard 4.8 Frontal bent 4.8 with 5 th contact	V	Standard 4.8 Frontal bent 6.3 with 5 th contact	Z	Standard 4.8 Frontal bent 4.8	C	Standard 4.8	L	Standard 4.8 with 5 th contact	H	Rast 5 4.8	ECC Terminal Board <table border="0"> <tr><th>Short Code</th><th>Contact version</th></tr> <tr><td>M</td><td>Rast 5 4.8 with 5th contact</td></tr> <tr><td>S</td><td>Rast 5 4.8 no frost</td></tr> <tr><td>F</td><td>Standard 6.3</td></tr> <tr><td>D</td><td>Standard 6.3 frontal bent 6.3</td></tr> <tr><td>K</td><td>Rast 5 6.3</td></tr> <tr><td>P</td><td>Rast 5 4.8 - 6.3 with 5th contact</td></tr> </table>	Short Code	Contact version	M	Rast 5 4.8 with 5 th contact	S	Rast 5 4.8 no frost	F	Standard 6.3	D	Standard 6.3 frontal bent 6.3	K	Rast 5 6.3	P	Rast 5 4.8 - 6.3 with 5 th contact	* x for different contact version y for different PTC version (when available) ** COP with electronic ptc available on product data sheet For detailed information please refer to the Product Specification on our web site: www.the-acc-group.com
Short Code	Contact version																																	
T	Standard 4.8 Frontal bent 4.8 with 5 th contact																																	
V	Standard 4.8 Frontal bent 6.3 with 5 th contact																																	
Z	Standard 4.8 Frontal bent 4.8																																	
C	Standard 4.8																																	
L	Standard 4.8 with 5 th contact																																	
H	Rast 5 4.8																																	
Short Code	Contact version																																	
M	Rast 5 4.8 with 5 th contact																																	
S	Rast 5 4.8 no frost																																	
F	Standard 6.3																																	
D	Standard 6.3 frontal bent 6.3																																	
K	Rast 5 6.3																																	
P	Rast 5 4.8 - 6.3 with 5 th contact																																	

Variable Speed R600a range

Model	Displ. cc	Motor cooling	Motor Type	Oil charge cc	Net weight kg	Cooling Capacity						CECOMAF -25°C W	COP without RC		LRA max	Rated current (-23.3°C/+55°C)	Speed	Turbo Option	Electronic driver	Terminal Board	Height (h)
						ASHRAE					-25°C W		ASHRAE -23.3°C W/W	CECOMAF -25°C W/W							
						-30°C W	-25°C W	-23.3°C W	-20°C W	-15°C W											
R600a 200-240 V 50/60 Hz ESD																					
Top efficiency RSD																					
HQT60RSA	5.90	S	PMM	295	8.3	41	55	60	73	95	123	45	1.70	1.32	0.4	0.29	1800	y	RS18M	ECC	167.9
HQT80RSA	8.10	S	PMM	295	8.3	56	77	85	101	128	159	63	1.77	1.40	0.4	0.40	1800	y	RS18M	ECC	167.9
HQT90RSA	9.10	S	PMM	295	8.3	66	90	98	115	145	180	74	1.78	1.40	0.4	0.45	1800	y	RS18M	ECC	167.9
HQT99RSA	9.90	S	PMM	295	8.3	72	98	107	128	164	205	80	1.79	1.40	0.4	0.53	1800	y	RS18M	ECC	167.9
HQT99RSB	9.90	S	PMM	295	8.3	78	105	115	137	174	217	86	1.80	1.43	0.89	0.52	1950	y	RS19M	ECC	167.9
HQT99RSC	9.90	S	PMM	295	8.3	85	114	126	149	188	235	94	1.80	1.42	0.68	0.55	2100	y	RS21M	ECC	167.9
HQT99RSE	9.90	S	PMM	295	8.3	94	128	140	166	212	263	105	1.72	1.36	0.68	0.67	2400	y	RS24M	ECC	167.9
HQT12RSC	12.00	S	PMM	400	8.8	105	139	152	181	232	291	114	1.78	1.41	0.64	0.72	2100	y	RS21M	ECC	175.5
HQT12RSE	12.00	S	PMM	400	8.8	113	150	164	197	252	321	123	1.72	1.37	0.64	0.76	2400	y	RS24M	ECC	175.5
FSD																					
HQT60FSD	5.90	S	PMM	295	8.3	34/76	46/105	51/116	63/139	83/175	107/215	39/87	up to 1.71	up to 1.33	1.5	0.25-0.57	1600-3600	y	FSD43M	ECC	167.9
HQT80FSD	8.10	S	PMM	295	8.3	49/111	67/139	74/151	88/177	112/224	140/279	55/115	up to 1.74	up to 1.36	1.5	0.36-0.75	1600-3600	y	FSD43M	ECC	167.9
HQT80FSH	8.10	S	PMM	400	8.5	32/119	44/151	48/173	57/204	72/258	93/293	36/131	up to 1.78	up to 1.40	1.5	0.25-0.80	1000-4000	y	FSH43M	ECC	175.5
HQT99FSD	9.90	S	PMM	400	8.8	64/134	86/176	95/192	113/224	143/283	178/349	71/143	up to 1.80	up to 1.42	1.5	0.45-0.96	1600-3600	y	FSD43M	ECC	175.5
HQT12FSD	12.00	S	PMM	400	8.8	68/157	92/206	101/223	120/262	153/326	192/395	88/169	up to 1.78	up to 1.40	1.5	0.55-1.12	1600-3600	y	FSD43M	ECC	175.5



R134a range

Model	Displ. cc	Motor cooling	Motor Type	Oil charge cc	Net weight kg	Cooling Capacity					CECOMAF -25°C W	COP without RC		LRA max	Rated current (-23.3°C/+55°C)	Speed	Turbo Option	Electronic driver	Terminal Board	Height (h)	
						ASHRAE						-25°C W	ASHRAE -23.3°C W/W								CECOMAF -25°C W/W
						-30°C W	-25°C W	-23.3°C W	-20°C W	-15°C W											
R134a 200-240 V / 50 Hz ESD																					
Top efficiency																					
GQT80RSE	8.10	S	PMM	400	8.7	131	179	198	237	307	388	146	1.62	1.26	0.64	0.95	2400	y	RS24M	ECC	175.5

Compressor cooling:
S = static
F = fan cooled
OC = oil cooler

Test conditions:

Evaporating temperature
Condensing temperature
Subcooling temperature
Suction temperature
Ambient temperature
Voltage/frequency

Ashrae	Cecomaf
-23.3°C	-25°C
55°C	55°C
32°C	55°C
32°C	32°C
32°C	32°C
220V 50Hz	220V 50Hz

Capacity conversion:

Capacity (W) / 1.163 = Capacity (kcal/h)
Capacity (W) = capacity (Btu/h) / 0.252

All models are approved according to EN 60335 - 2 - 34.
"Particular requirements for motor-compressor".

ECC Terminal Board

Short Code	Contact version
T	Standard 4.8 Frontal bent 4.8 with 5 th contact
V	Standard 4.8 Frontal bent 6.3 with 5 th contact
Z	Standard 4.8 Frontal bent 4.8
C	Standard 4.8
L	Standard 4.8 with 5 th contact
H	Rast 5 4.8

ECC Terminal Board

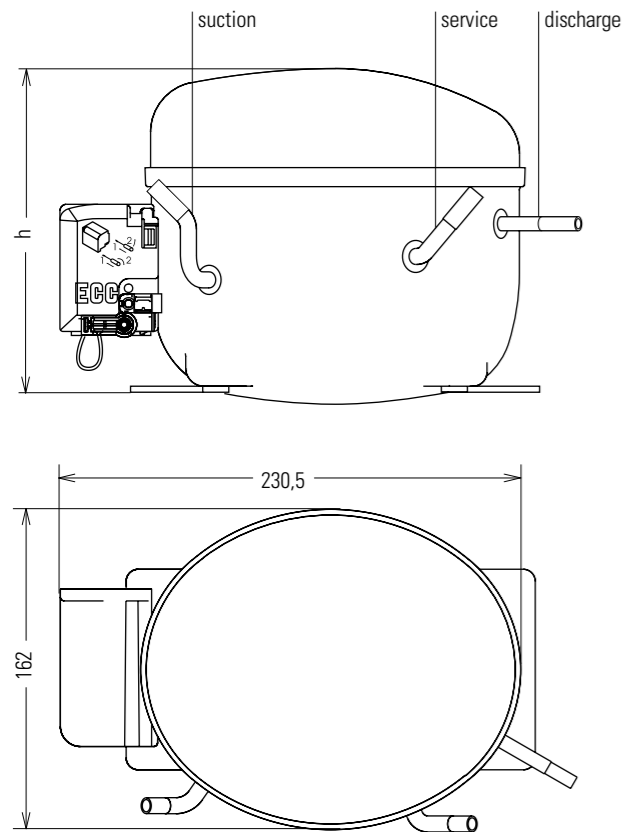
Short Code	Contact version
M	Rast 5 4.8 with 5 th contact
S	Rast 5 4.8 no frost
F	Standard 6.3
D	Standard 6.3 frontal bent 6.3
K	Rast 5 6.3
P	Rast 5 4.8 - 6.3 with 5 th contact

* x for different contact version
y for different PTC version (when available)

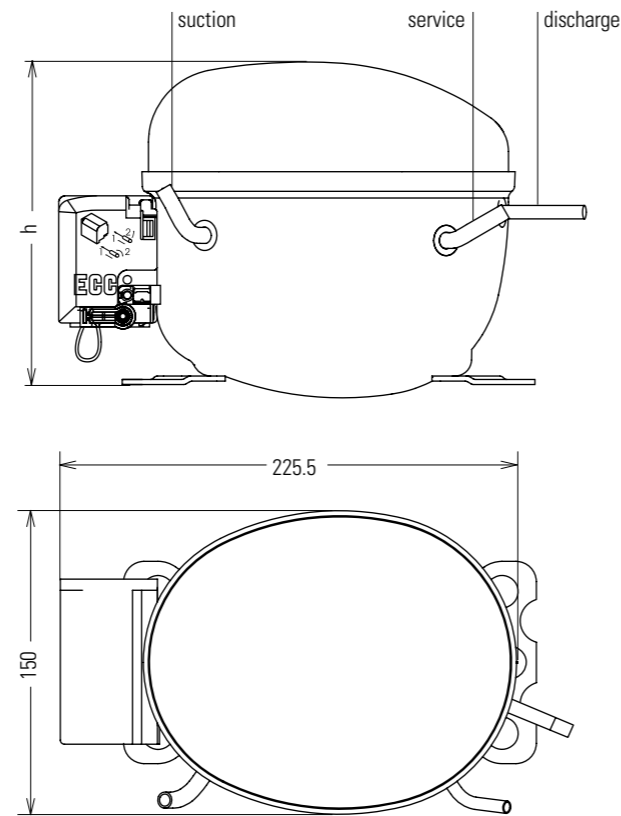
For detailed information please refer to the Product Specification on our web site:
www.the-acc-group.com

Outline drawings

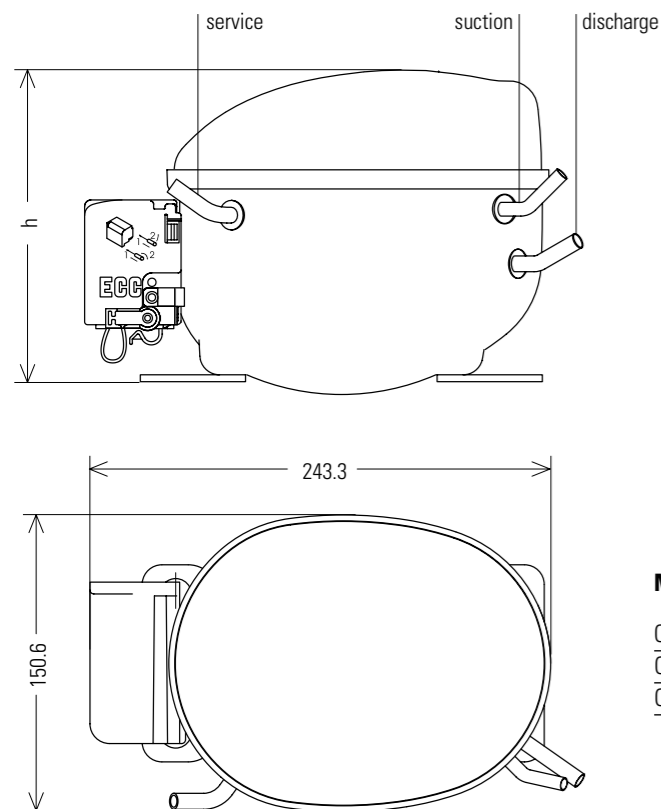
GL - GQ - HQ - HS



HV - GV - OF



Kappa models (H*K)

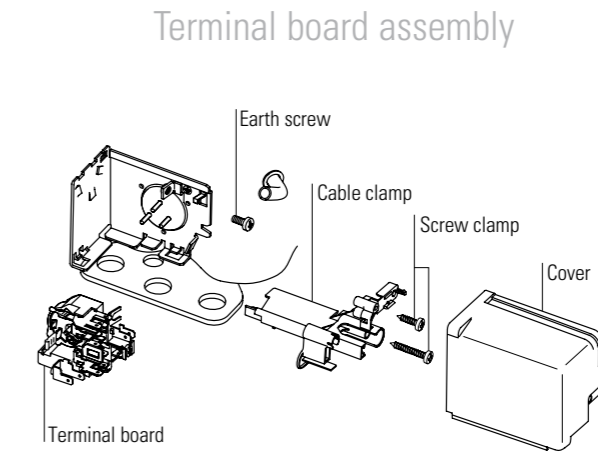


Tubes internal diameter

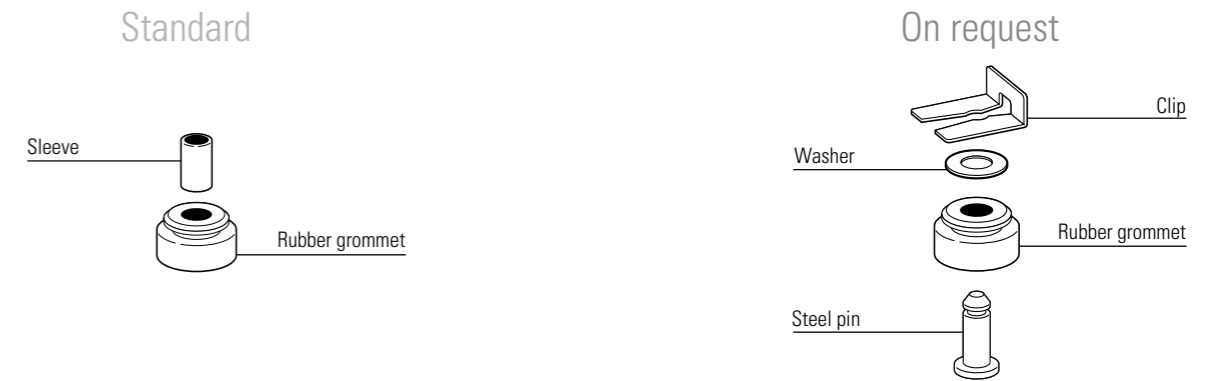
Material	Suction	Service	Discharge
Coppered Steel/Copper	6.1	6.1	4.9
Coppered Steel/Copper Standard version	6.1	6.1	5.1
Copper	6.5	6.5	4.9

Technical drawings

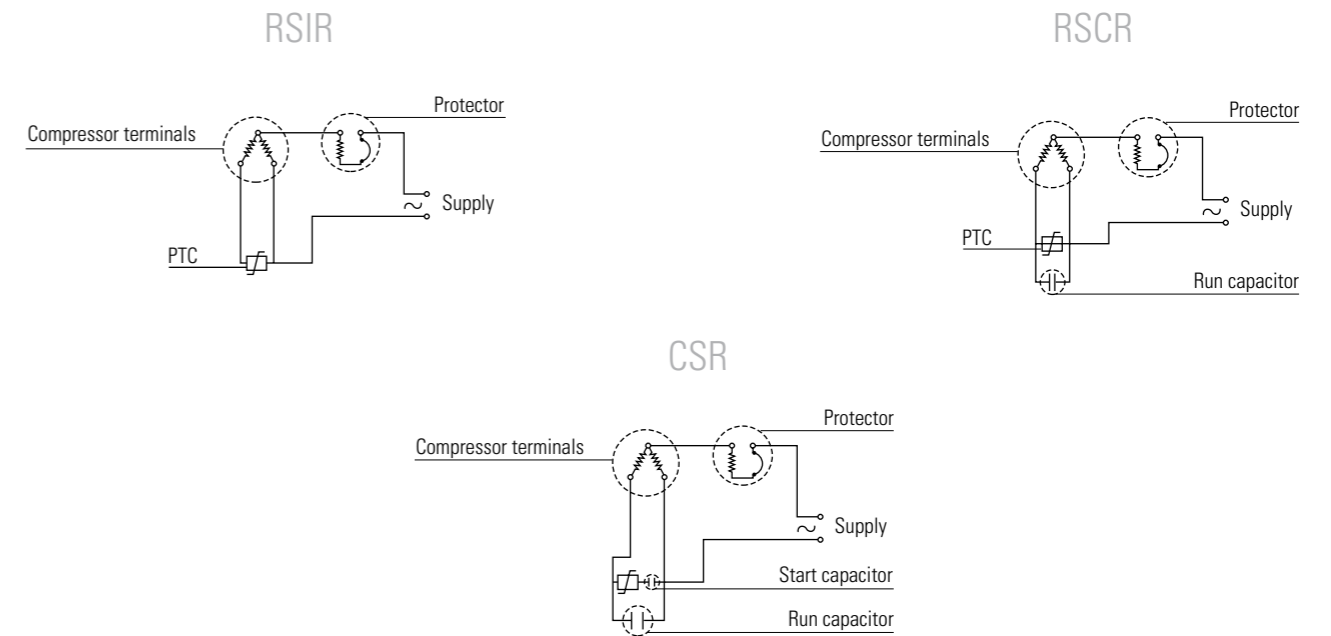
ECC Terminal board



Mounting accessories

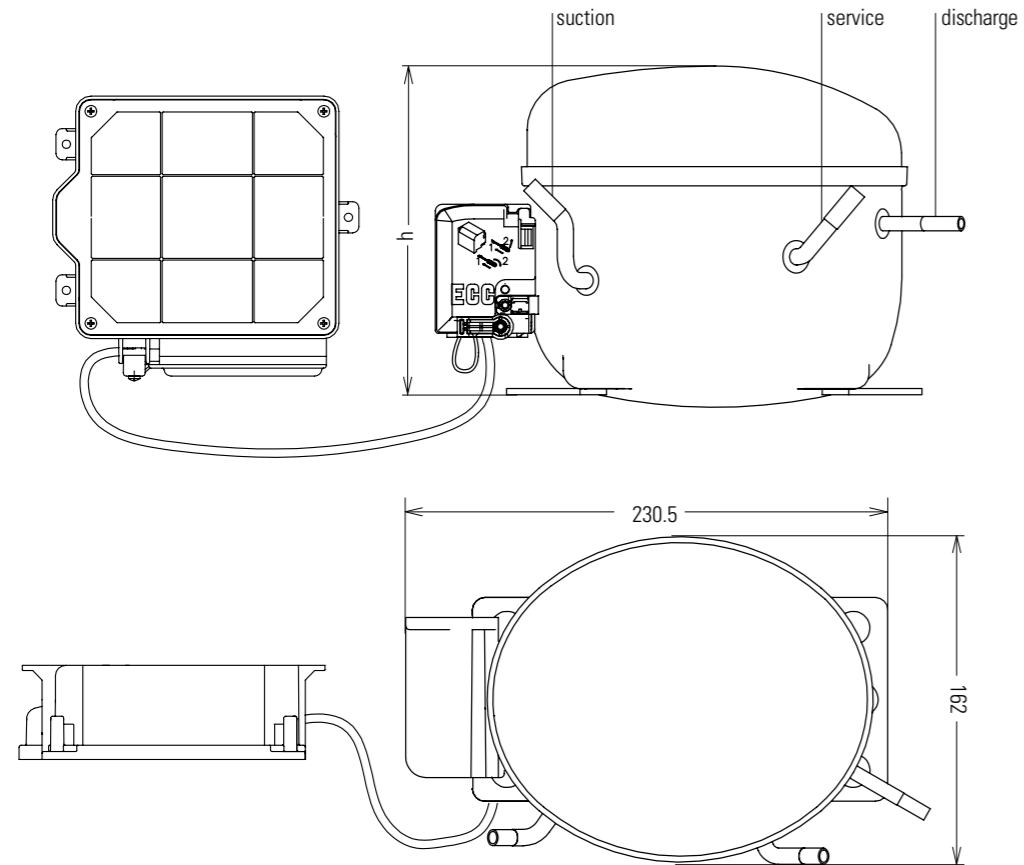


Electric wiring diagram



Technical drawings RSD-FSD

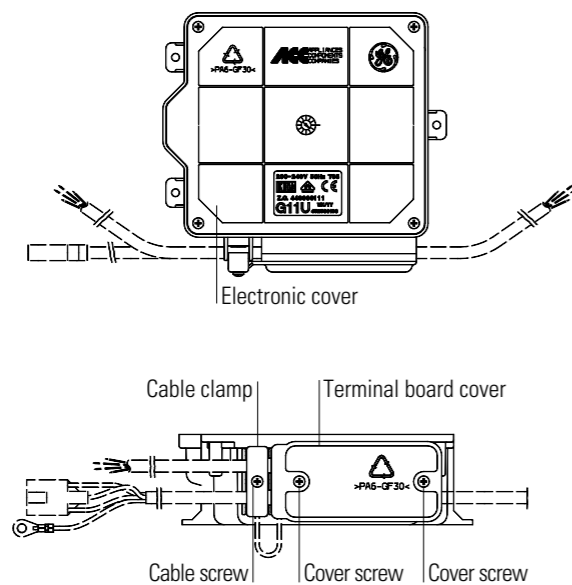
HQT - GQT



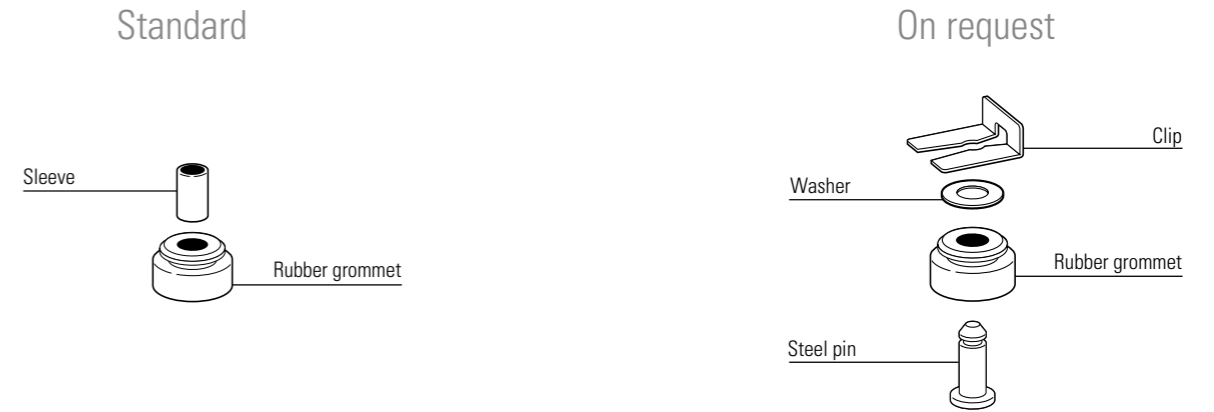
Tubes internal diameter

Material	Suction	Service	Discharge
Coppered Steel/Copper	6.1	6.1	4.9
Coppered Steel/Copper Standard version	6.1	6.1	5.1
Copper	6.5	6.5	4.9

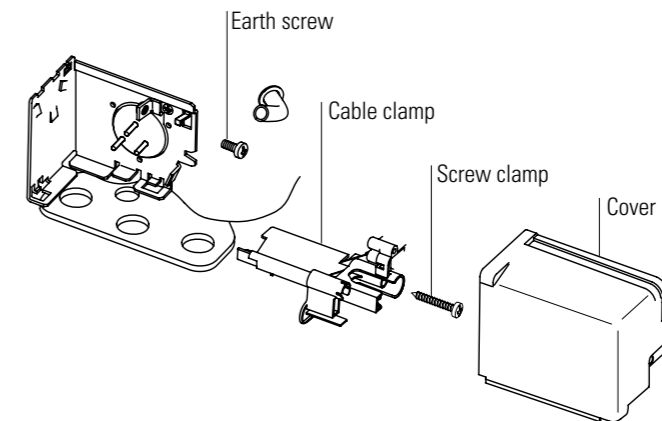
RSD - FSD Driver



Mounting accessories



ECC Terminal board



ECM Control scheme

