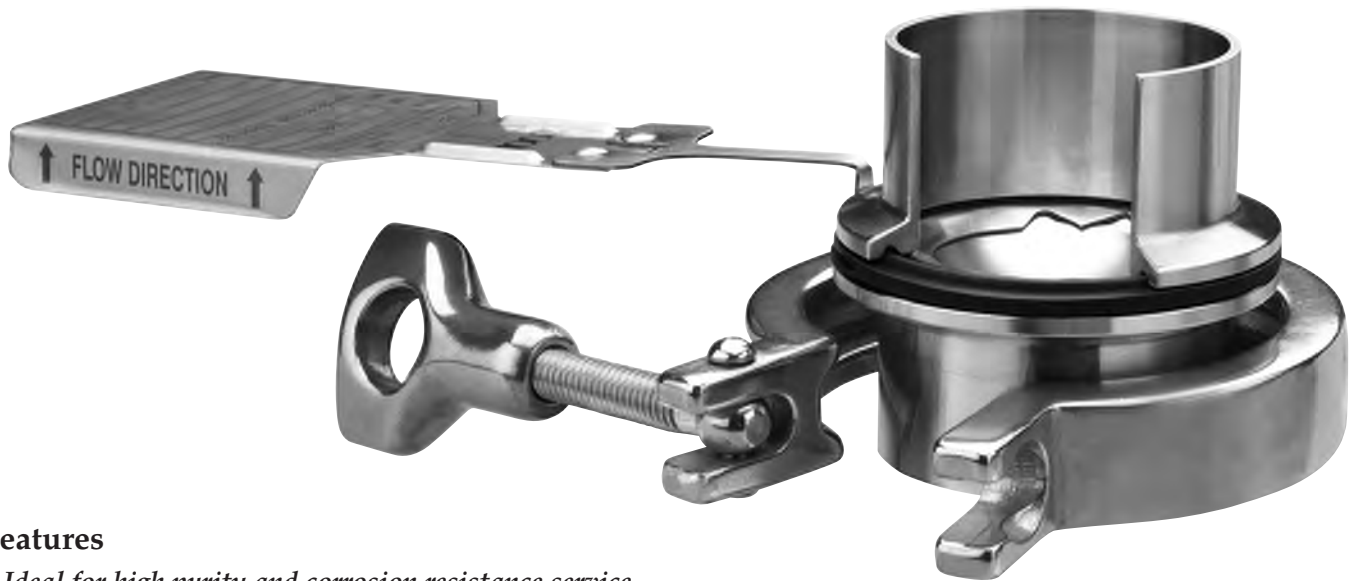


*...provide over-pressure protection in sanitary piping system*

The RLPS Sanitary Disk is an extension of ZOOK's Reverse Acting Metal Rupture Disk design. Applications include: food processing, dairy, breweries, pharmaceutical, distilling, baking, canning, cosmetics, biotechnology, and petrochemical industries.



No special components required for installation – mounts using **industry standard** components.

### Features

- *Ideal for high purity and corrosion resistance service*
- Designed for Non-fragmentation
- Rugged, scoreless design offers higher cycle life when compared to scored reverse acting disks
- Excels in liquid, gas, or two-phase applications
- 0% manufacturing range is standard
- Standard operating ratio of 90% of the low end of the burst tolerance – may be extended to 95% of the minimum burst pressure. (Contact ZOOK for operating ratio on pressures below 40 psig)
- Self supporting under full vacuum (with included support ring)
- Resists product buildup. Only the smooth convex side of the disk is exposed to the process medium
- Installs using industry standard Tri-clamp®/Tri-clover® fittings (NA-Connect mounting also available)
- Standard gasket material: Black Buna-N (see chart on reverse page for alternate materials)
- Sizes 1" (25mm) through 4" (100mm)
- CE and TUV compliance available

### Optional Features

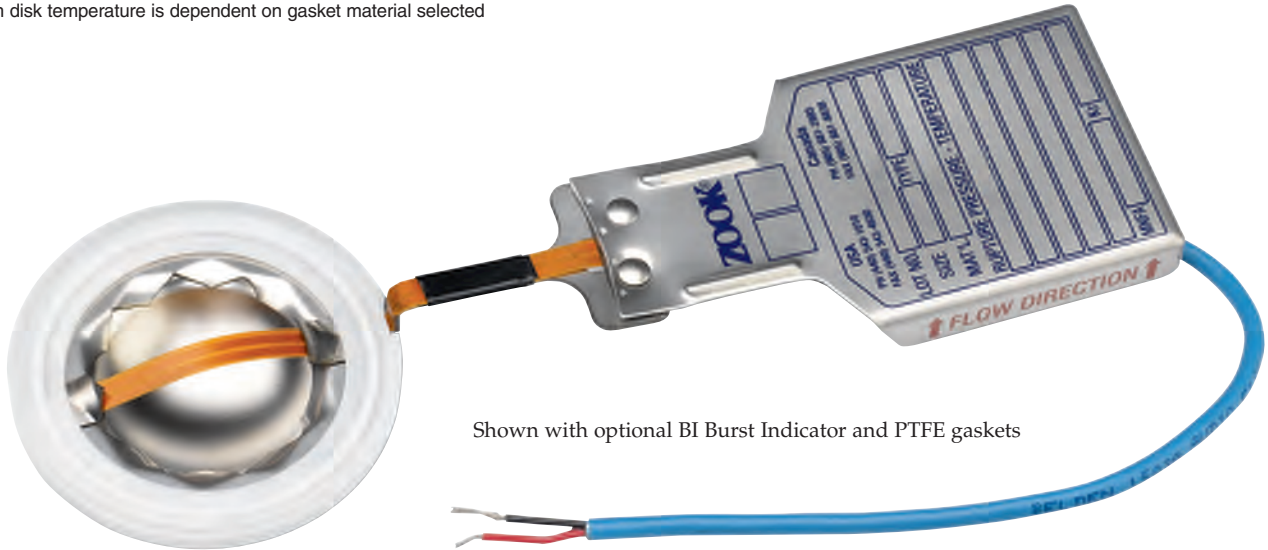
- TFE liners are available to provide additional protection from corrosive media
- Burst indication (Integral or Ferrule mounted)
- Torque-rite® sanitary clamp nut (eliminates the problems associated with over/under tightening)

# RLPS Minimum and Maximum Pressure Ratings

Size in (mm)	Burst Pressure – psig (bar)			MNFA in <sup>2</sup> (cm <sup>2</sup> )	Tri-Clover Ferrule Dimensions in (mm)	
	Minimum		Maximum		Ferrule OD	Tube ID
	316SS*	w/liner				
1" (25)	11 (0.76)	16 (1.10)	83 (5.72)	0.35 (2.25)	1.984 (50.4)	0.856 (21.7)
1-1/2" (40)	9 (0.62)	11 (0.76)	27 (1.86)	0.79 (5.09)	1.984 (50.4)	1.356 (34.4)
2" (50)	7 (0.48)	11 (0.76)	24 (1.66)	1.63 (8.77)	2.516 (63.9)	1.856 (47.1)
3" (80)	6 (0.41)	10 (0.69)	20 (1.38)	3.86 (24.9)	3.579 (90.9)	2.865 (72.5)
4" (100)	3 (0.21)	8 (0.55)	18 (1.24)	6.82 (43.99)	4.682 (118.9)	3.810 (96.8)

\* Alternate sizes, disk materials, gasket materials and lower burst ratings may be available on request  
Contact ZOOK for more information.

**Note:** Maximum disk temperature is dependent on gasket material selected



Shown with optional BI Burst Indicator and PTFE gaskets

## Gaskets

Material	Max. Temperature
Black Buna-N <sup>▲</sup>	230F (110C)
White Buna-N	230F (110C)
Black EPDM <sup>▲</sup>	230F (110C)
Black Viton <sup>▲</sup>	400F (204C)

▲ – Stocked material

## Manufacturing Range / Burst Tolerance

Specified Burst Pressure Rating psig (bar)	Available Manufacturing Ranges	Burst Tolerance psig (bar)
1 to below 5 (0.07 to below 0.34)	0%, -5%, -10%	+/-0.50 (+/-0.03)
5 to below 10 (0.34 to below 0.69)	0%, -5%, -10%	+/-0.80 (+/-0.06)
10 to below 15 (0.69 to below 1.03)	0%, -5%, -10%	+/-1.30 (+/-0.09)
15 to 40 (1.03 to 2.76)	0%, -5%, -10%	+/-2.00 (+/-0.14)
Above 40 (Above 2.76)	0%, -5%, -10%	+/-5%

### Notes:

- 0% manufacturing range might not be available in all materials
- Burst tolerances are the maximum expected variation from the disk's marked burst pressure

## Optional Torque-Rite<sup>®</sup> Nut



### Features

- An audible "click" indicating correct torque setting
- Maintains the recommended constant 50in-lb torque
- Retrofits all sanitary clamps, mini through 6"
- No torque wrench or special training required

Tri-clamp/Tri-clover – TM Alfa Laval  
Torque-Rite – TM Rubber Fab



**ZOOK Enterprises, LLC**  
16809 Park Circle Drive  
Chagrin Falls, OH 44022 U.S.A.  
Toll Free **800.543.1043**  
Phone **440.543.1010**  
Fax **440.543.4930**  
E-mail **sales@zook.cc**

**ZOOK Canada, Inc.**  
4400 South Service Road  
Burlington, ON Can. L7L 5R8  
Toll Free **800.370.6057**  
Phone **905.681.2885**  
Fax **905.681.8838**  
E-mail **sales.canada@zook.cc**

**ZOOK Europe, LTD.**  
Navigation House, Bridge Street  
Killamarsh, Sheffield UK. S21 1AL  
Phone **0044 (0) 1909 560999**  
Fax **0044 (0) 1909 560860**  
E-mail **zookeurope@zook.cc**



visit us on the web at [www.zook.cc](http://www.zook.cc)