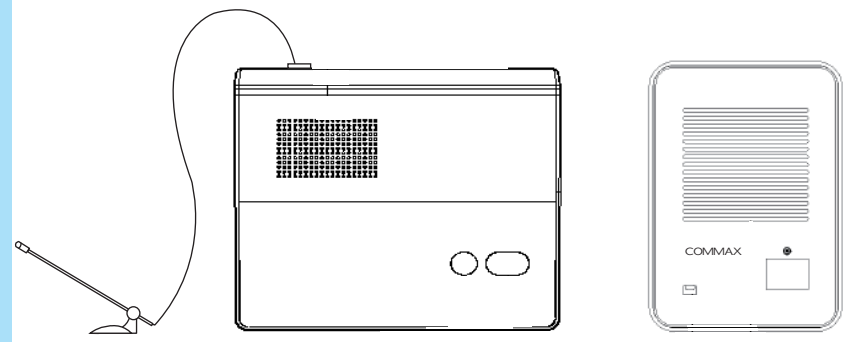


HAND-FREE INTERCOM

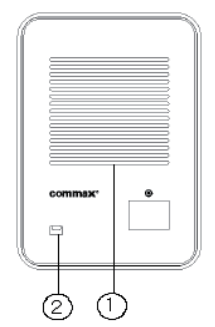
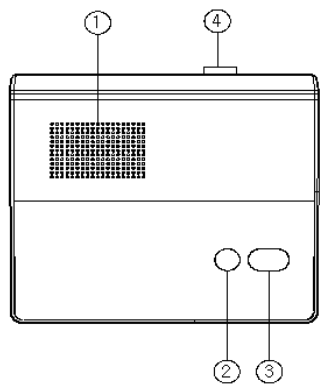
Model No. : HF-8CM
HF-4D



Control & function

MASTER (HF-8CM)

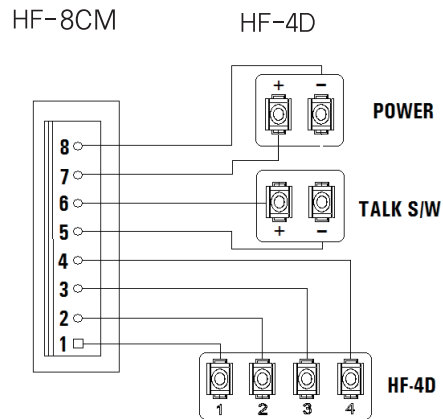
SUB STATION(HF-4D)



- 1. SPEAKER
- 2. POWER S/W
- 3. AUTO / MANUAL BUTTON
- 4. C-MIC CONNECT TERMINAL

- 1. SPEAKER
- 2. MIC

Wiring



Instruction

1. MASTER(HF-8CM)

- 1) Automatic communication : Select AUTO. Position of AUTO / MANUAL button
And then communicate freely without operate button
- 2) Normal communication : Select Normal position of AUTO / MANUAL button.
You may listen from substation
(When you connect Normal s/w Ref. Page 2 Wiring)
If you put on External button. It can transmit.
If you put off External button. It can receive only

1. Sub Station(HF-4D)

Communicate with Master(HF-8CM) without operation.

Specifications

- Operating voltage : DC 15~ 24V (2A)
- Max. Consumption : 200mA
- Effective Distance : 80M/ \varnothing 0.65-0.5m/m
(We recommend to use Trans Power Supply of 15~ 24V, as identical with RF-2A)