

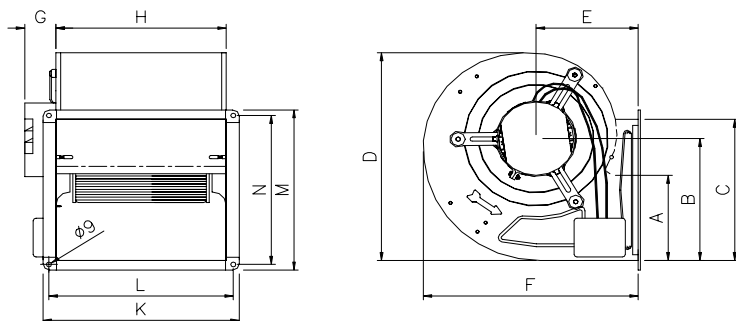
FAN TECHNICAL DATA

| | |
|----------------|--|
| ID CODE | 720057 |
| FAN NAME | DD 11-11 TAC2 1/1 |
| SUPPLY | 230V-50Hz |
| MOTOR | ECM 2.3 1/1 5SME39SL0036 (5SME39SL - ECM2.3) |
| IP CLASS | 44 |
| THERMAL CLASS | B |
| MODE | VSPD |
| RANGE | 750 - 4400 m3/h |
| CONFORMITY | UL - CE may require EMI filter |
| CONTROL DEVICE | included |

NOMINAL INSTALLATION DATA

| | Amps (A) | Abs.Power (W) | Max air T°(TM) (°C) |
|---------|-------------|------------------|------------------------|
| Maximum | 6,7 | 1190 | 55 |

DIMENSIONS

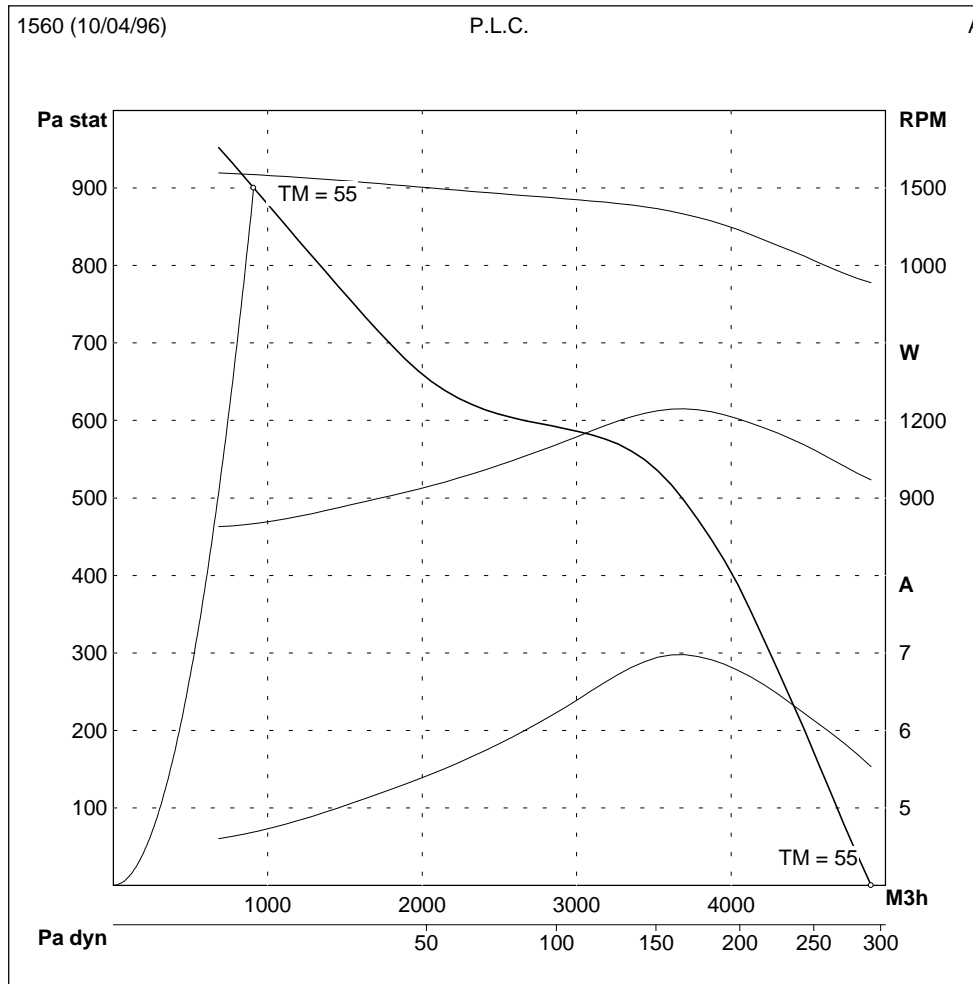


| A | B | C | D | E | F | G | H | K | L | M | N |
|-----|-----|-----|-----|-----|-----|----|-----|-----|-----|-----|-----|
| 167 | 262 | 313 | 456 | 193 | 432 | 55 | 370 | 416 | 395 | 350 | 329 |

We are constantly working to make our products better and more reliable. Therefore we cannot guarantee data update.
Therefore, although we put a lot of care in the making of our documentation, we cannot be held responsible for any error and/or omissions that could have slipped in.

MAXIMUM WORKING ENVELOPE

measured in our laboratory according to AMCA/ASHRAE 210.85 fig.12



WIRING DIAGRAM

