

ZOOK® RDI-S Rupture Disc Indicator

For use in Sanitary Tri Clamp Fittings

Features

- One time use, LOW COST
- Available in 1" (25mm) to 4" (100mm) nominal sizes
- Early indication of burst minimises downtime, waste of product and environmental damage from release of process fluids
- Supplied ready for installation
- Fits standard Tri Clover and NA couplings used with sanitary ferrules to BS4825. For ferrules to other standards (eg DIN32676, ISO 2582/ISO1127 please consult ZOOK Europe Ltd
- The RDI-S sensor has been ATEX system certified to ATEX directive 94/9/EC and Standard EN50039. Epsilon Certificate No. 055YS1448X available on request

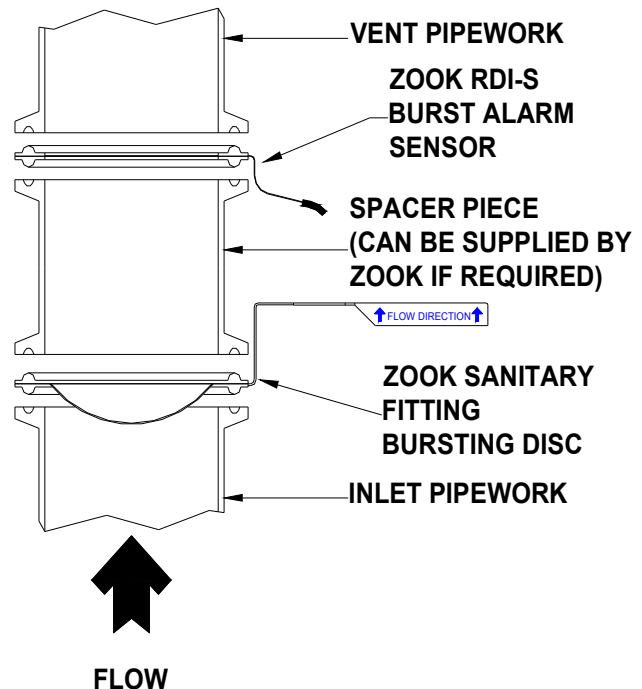


Materials

- Membrane - Kapton
- Standard gasket materials – Viton or EPDM (Consult ZOOK Europe Ltd for other materials)
- Conductive materials - Silver
- Cable – 2m, 24 AWG, 2 conductor PTFE screened cable

Electrical Data

Max Preburst Resistance	20 Ω
Max Voltage	24 V AC/DC
Max Current	150mA
Temp Range	-40 to +200° C



Minimum Burst Pressure required to activate sensor

Nominal Size	1" (25mm)	1 ½" (40mm)	2" (50mm)	3" (80mm)	4" (100mm)
Min Burst Pressure	9 psig (0.62 barg)	9 psig (0.62 barg)	8 psig (0.55 barg)	6 psig (0.41 barg)	4 psig (0.28 barg)