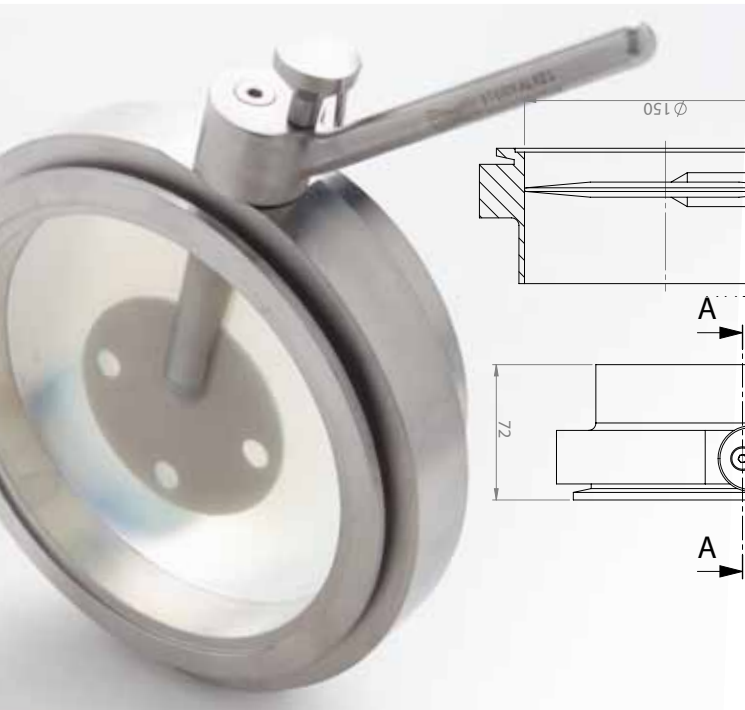


INTERCEPTION
MONOFLEX



Monoflexy is the valve designed to interrupt the flow of fragile products such as capsules, tablets, and all those elements that can be easily damaged by the movement of a stainless steel butterfly. Unlike the Flexivalve, this valve is made up of a monoblock body and by a butterfly with only one support shaft. This execution further facilitates the disassembly and cleaning operations.



A possible configuration

TYPICAL APPLICATIONS:

Feeding of packaging machines for fragile products in the pharmaceutical and food field such as the feeding of blister packaging machines in the pharma world.

MAIN FEATURES:

- Manufactured according to cGMP and EHEDG guidelines
- Suitable for CIP and SIP

MATERIALS:

- Body: Stainless steel EN 1.4404 (AISI 316L)
- Butterfly: Translucent Silicone

MOTION DRIVE:

- Handle
- Pneumatic actuator

DECLARATIONS AND CERTIFICATIONS:

- FDA Certification (CFR § 177.2600)
- Material Certificate 3.1 as per EN10204

SIZES:

| | |
|-----|-----|
| 100 | 150 |
|-----|-----|

FINISH:

Ra 0.5 µm internal, 1.2 µm external