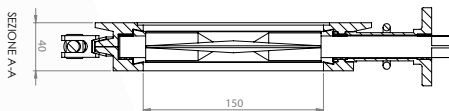
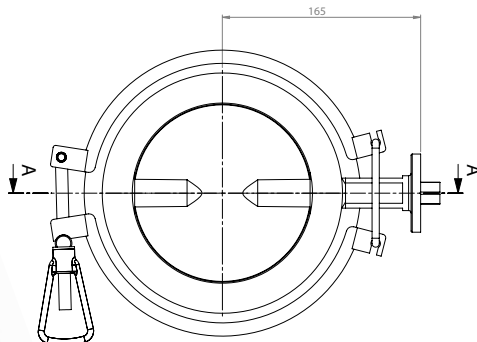
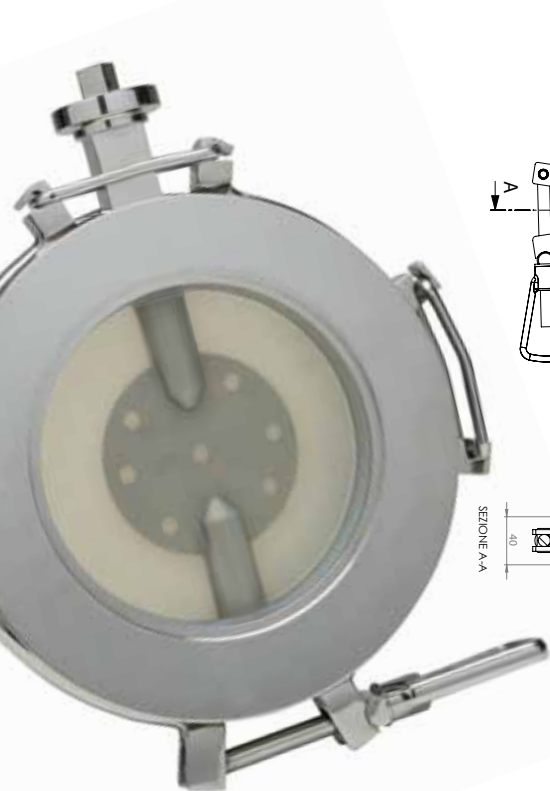


INTERCEPTION
FLEXIVALVE



FlexiValve is part of the modular system (see modular system sheet). This valve is designed to interrupt flow of fragile products such as capsules, tablets and all those elements that can be easily damaged by the movement of a steel butterfly.



A possible configuration

TYPICAL APPLICATIONS:

Feeding of machines for fragile products in the pharmaceutical and food field (feeding of capsule filling machines, blister packaging machines in the pharma world).

MAIN FEATURES:

- Manufactured according to cGMP and EHEDG guidelines
- Suitable for CIP and SIP

MATERIALS:

- Body: Stainless steel EN 1.4404 (AISI 316L)
- Butterfly: Translucent Silicone-coated
- Seals: Translucent Silicone

MOTION DRIVE:

- Handle
- Pneumatic actuator

DECLARATIONS AND CERTIFICATIONS:

- FDA Certification (CFR § 177.2600),
- Material Certificate 3.1 as per EN10204,
- ATEX

SIZES:

80	100	150	200	250
----	-----	-----	-----	-----

FINISH:

Ra 0.5 µm internal, 1.2 µm external