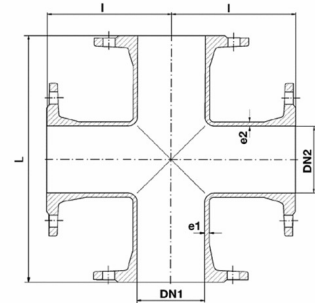


DUCTILE IRON FITTINGS
ALL FLANGED CROSS

DN1	DN2	L1	L2	e1	e2		Code
50	50	300	300	7,0	7,0	15,0	TT050
65	65	330	330	7,0	7,0	19,5	TT065
80	80	330	330	7,0	7,0	21,5	TT080
100	50	360	360	7,2	7,0	24,0	TT100050
100	100	360	360	7,2	7,2	26,0	TT100
150	100	440	440	7,8	7,2	36,0	TT150100
150	150	440	440	7,8	7,8	45,0	TT150
200	100	520	520	8,4	7,2	50,0	TT200100
200	150	520	520	8,4	7,8	56,0	TT200150
200	200	520	520	8,4	8,4	66,0	TT200
250	250	700	700	9,0	9,0	115,0	TT250
300	150	800	650	9,6	9,6	132,0	TT300150
300	300	800	800	9,6	9,6	168,0	TT300



Technical characteristics:

Body- ductile cast iron GGG-50

According to DIN EN 545 standard

Epoxy coating RAL5015

Drilling of flanges: PN10/16, starting from DN200- PN10