

# FHR 4.5SF ROTATOR



**FORGED STEEL**

Rotate left/right  
G3/8" Max 250 bar

Grapple open  
G3/8" Max 200 bar

Rotator frame  
L73 ø25

Fast maintenance  
greasing nipple

Grapple close  
G3/8"  
Max 300 bar

Iron 4 point  
fitting system  
hose guard

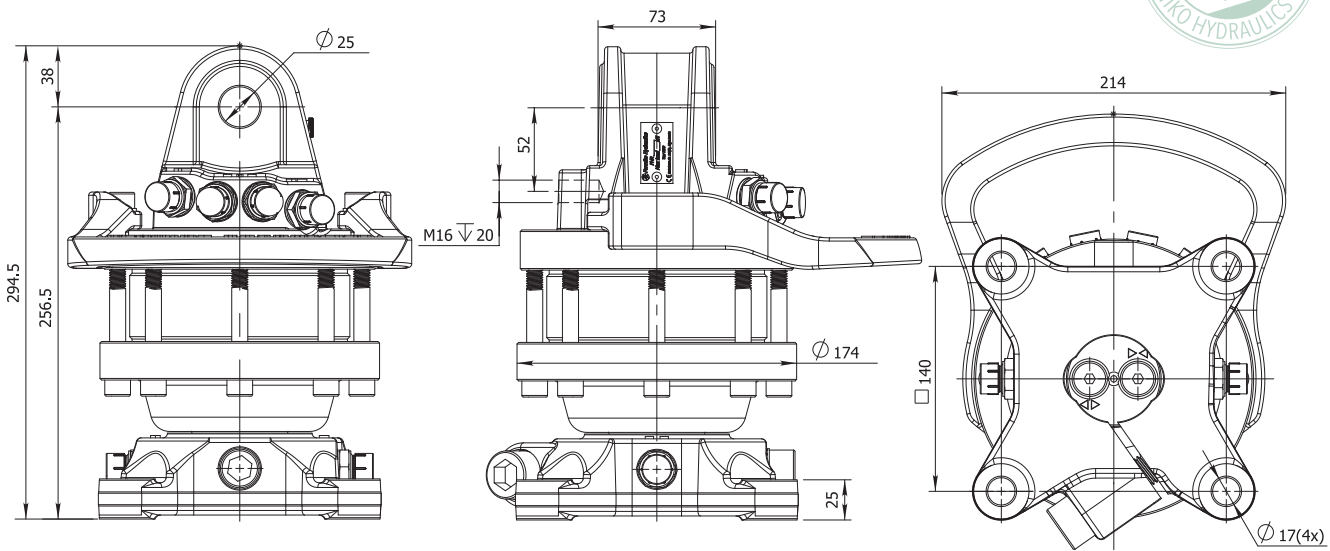


Grapple open  
G3/8"

Grapple close  
G3/8"

Optional open/close  
channels

Shock resistant FORGED  
STEEL flange for reliable  
fitting the grapple



FORESTRY



AGRICULTURE



CONSTRUCTION



GENERAL CARGO



RECYCLING