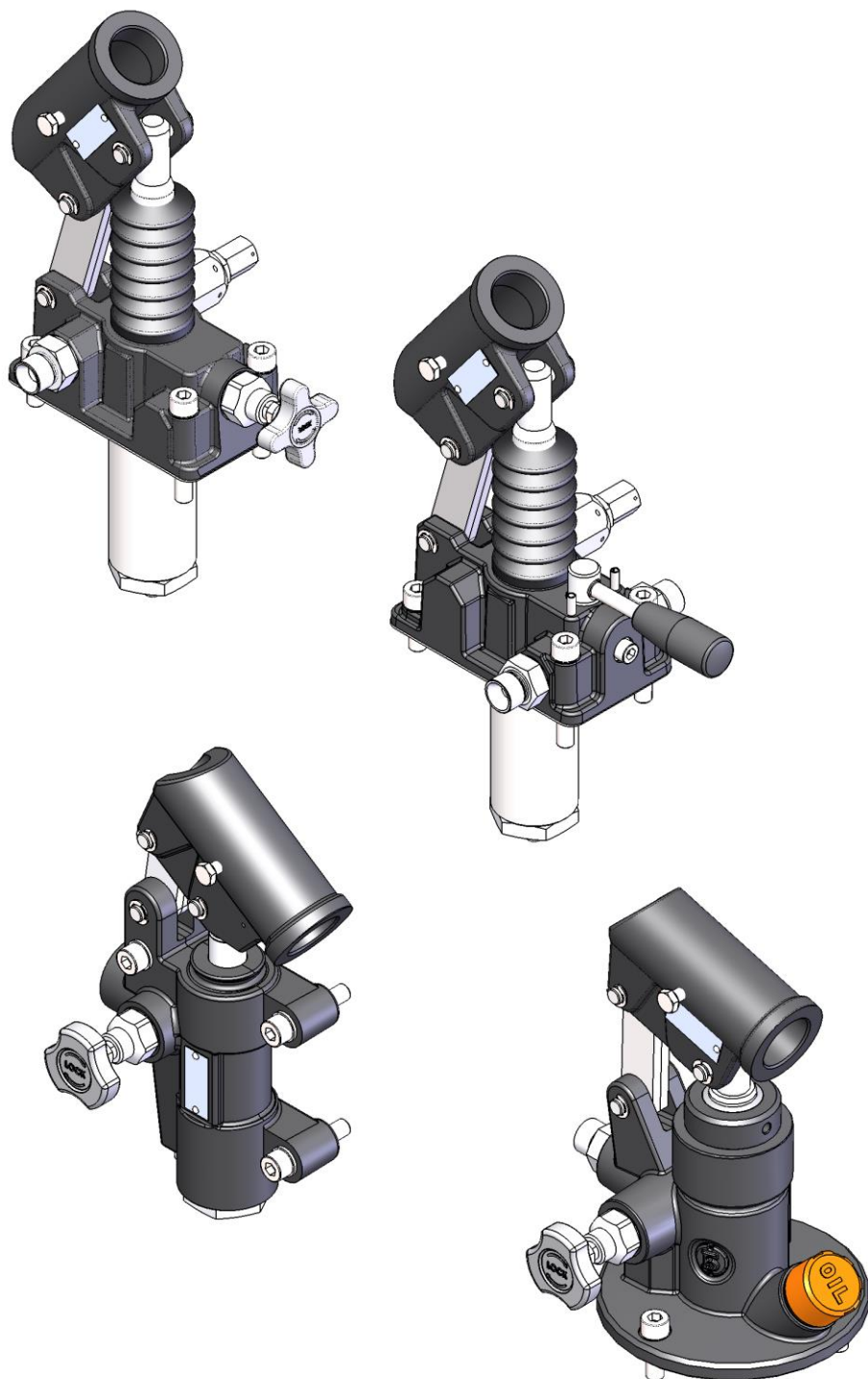


# Piston type hand pumps

---



---

***Badestnost***  
hydraulic components

ТОВ "Промислова Гідравліка": <https://promhydraulic.com.ua/ua/>  
Телефонуйте: +380 (95) 670-15-32, +380 (98) 533-91-67, +380 (96) 244-48-42

Hand pumps are generally employed for intermittent or emergency applications. The wide range for integrated applications with auxiliary valves allow the solution of any requirement. The cast-iron body, high resistance lapped and chrome plated steel rod. They are available in wall bracket and flangeable on tank versions with various types of pumping single acting (PRP) and double-acting (PRB/D). They can be supplied with steel tanks with alkyd paint from 1 to 10 lt.

PRB – double acting pumps for single acting cylinders

PRBD – double acting pumps for double acting cylinders

PRBC – double acting pump for single acting cylinders

PRP – single acting pump for single acting cylinders

Read this instructions carefully before installation. All operations must be carried out by qualified personnel following the instructions. The user must periodically inspect, based on the conditions of use and the substances used, the presence of corrosion, dirt, the state of wear and correct function of the valves.

**All pumps include 550 mm handle, unless WoL code is used. The pump assembly includes suction filter and suction tube. If pump is bought without a tank – suction tube of 176 mm is included in the package.**

### Additional information

This catalogue shows the product in the most standard configuration. For special requests please contact sales.

### WARNING!

All specifications of this catalogue refer to the standard product at this date. Badestnost, oriented in continuous improvement, reserves the right to discontinue, modify or revise specifications, without notice.

**BADESTNOST IS NOT RESPONSIBLE FOR ANY DAMAGE CAUSED BY AN INCORRECT USE OF THE PRODUCT**

First edition 03-2021

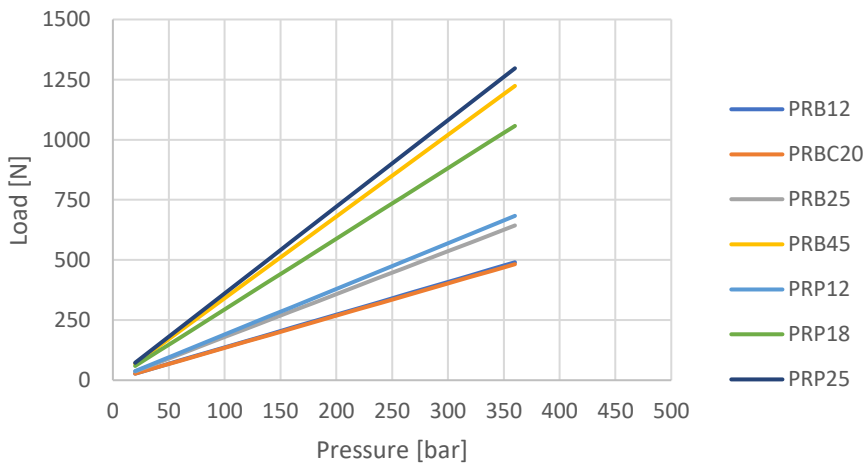
## Working conditions

Pump type	PRB(D)12	PRB(D)25	PRB(D)45	PRBC20	PRP12	PRP18	PRP25
Type	Double acting				Single acting		
Displacement	12 cm <sup>3</sup>	25 cm <sup>3</sup>	45 cm <sup>3</sup>	20 cm <sup>3</sup>	12 cm <sup>3</sup>	18 cm <sup>3</sup>	25 cm <sup>3</sup>
	0.7 in <sup>3</sup>	1.5 in <sup>3</sup>	2.7 in <sup>3</sup>	1.2 in <sup>3</sup>	0.7 in <sup>3</sup>	1.1 in <sup>3</sup>	1.5 in <sup>3</sup>
Max. pressure	380 bar	350 bar	280 bar	350 bar	300 bar	200 bar	160 bar
	5500 psi	5100 psi	4100 psi	4100 psi	4400 psi	2900 psi	2300 psi
Optimal pressure	220 bar	120 bar	80 bar	225 bar	160 bar	120 bar	80 bar
	3200 psi	1700 psi	1200 psi	1200 psi	2300 psi	1700 psi	1200 psi
Fluid	Mineral based oil (DIN51524)						
Fluid temperature (NBR seals)	from -25 °C to 70 °C				from -13 °F to 158 °F		
Viscosity (min.)	10 mm <sup>2</sup> /s				10 cSt		
Viscosity (max.)	500 mm <sup>2</sup> /s				500 cSt		
Max. level of contamination	20/18/15 - ISO 4406				NAS 1683 - class 10		
Ambient temperature	from -20 °C to 60 °C				from -4 °F to 140 °F		
Note - for different working conditions contact sales dept.							

### Reference standard

	BSP	UN-UNF	Metric	NPTF
Thread	ISO 228/1	ISO 263	ISO 262	Ansi B1.20.3
according to	BS 2779	ANSI B1.1 unified		
Cavity dimension	ISO 1179	11926	9974-1	
according to	SAE	J1926	J2244	J476a
	DIN 3852-2 (Shape X or Y)		3852-1 (Shape X or Y)	

Load effort for 550 mm handle

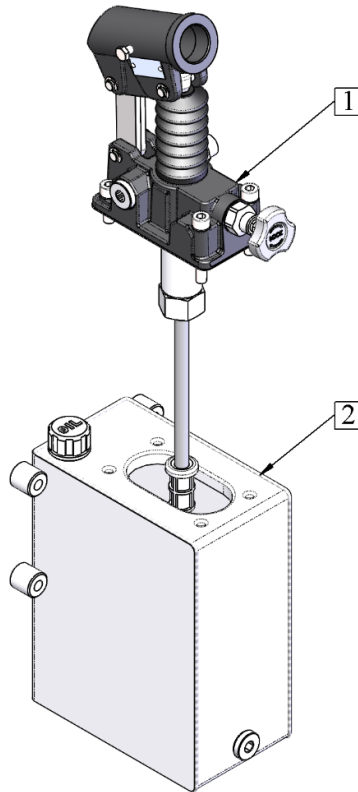


**Full order code (pump and tank)**

**PRB12 + RP3**

1

2



1. Pump (page 5)

2. Prismatic tanks (page 8)

RP1 1L tank

RP2 2L tank

RP3 3L tank

RP5 5L tank

RP7 7L tank

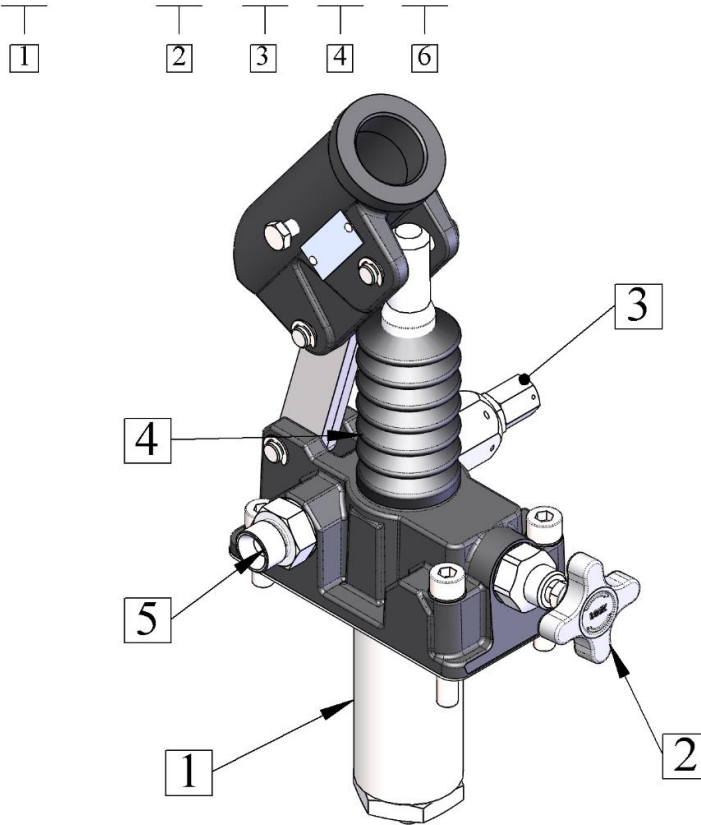
RP10 10L tank

3. Pump location with respect to the tank

(180) Pump rotated 180 deg

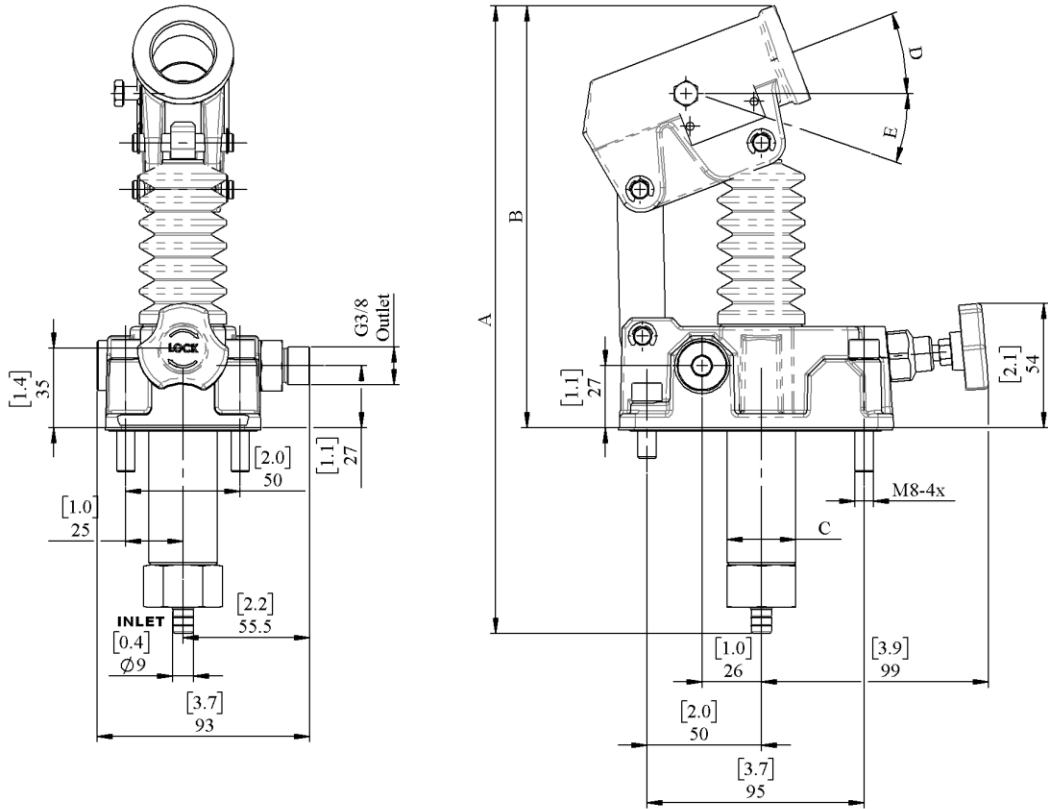
**Order code**

**PRB12 / A - R - M - BP**

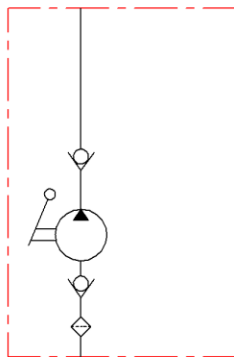


1. Pump type		5. Stud connectors and reducers	
PRB12/25/45	Double acting pump for single acting cylinders	12L	Outlet stud G3/8 (60 deg cone)
PRBD12/25/45	Double acting pump for double acting cylinders	ad3/8NPTF	Outlet stud 12L (M18x1,5)
2. Release valve		G1/4B	Outlet reducer 3/8NPTF
	3S handle of the release valve	G1/4 Banjo	
A	4S handle of the release valve	xA	no connector on pos. 2 (PRBD)
E	without release valve	xB	no connector on pos. 1 (PRBD)
3. Relief valve (PRB/PRBD)		12S	Outlet stud 12S (M20x1,5)
	without relief valve	6. Additional options	
R	with relief valve (right side by default)	WoL	without 550 mm lever
RL	with relief valve left side	WoF	without suction filter
4. Other		BP	Black paint RAL9005
M	Dust-proof flexible bellow		

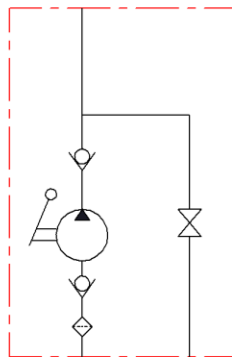
**Dimensional data**



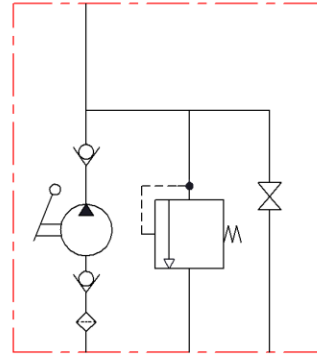
Hydraulic schemes



Without release and relief valve



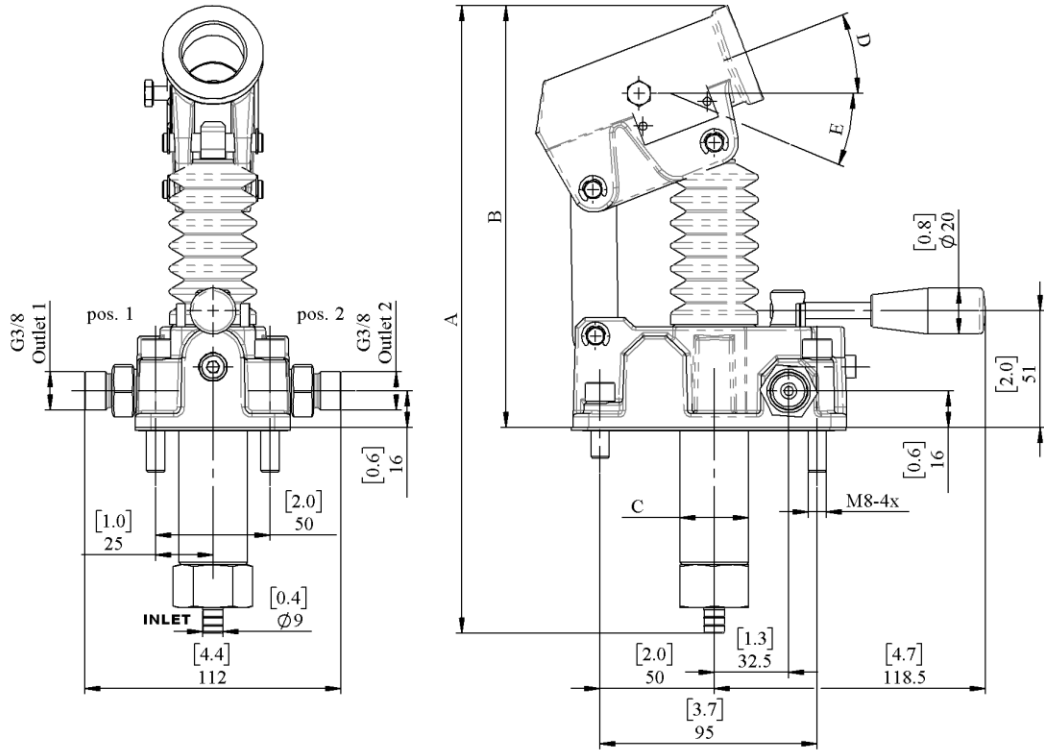
Without relief valve



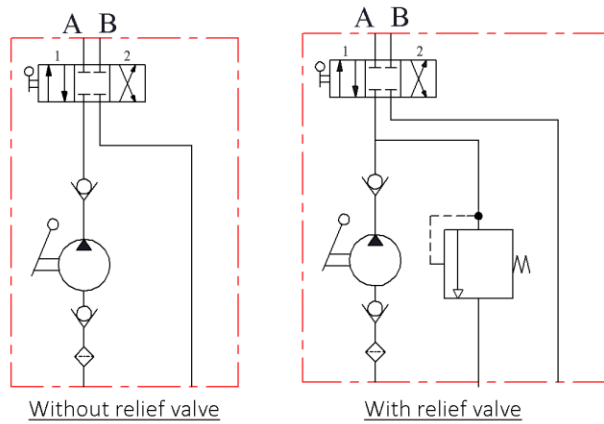
With relief valve

Type	A		B		C	D	E	mass	
	mm	in*	mm	in*				kg	lbs*
PRB12	274	10.8	184	7.2	30.0	1.2	21	20	4.0 8.8
PRB25	286	11.3	195	7.7	35.0	1.2	34	21	4.2 9.3
PRB45	307	12.1	200	7.9	40	1.6	53.0	25	4.5 9.9

**Dimensional data:**



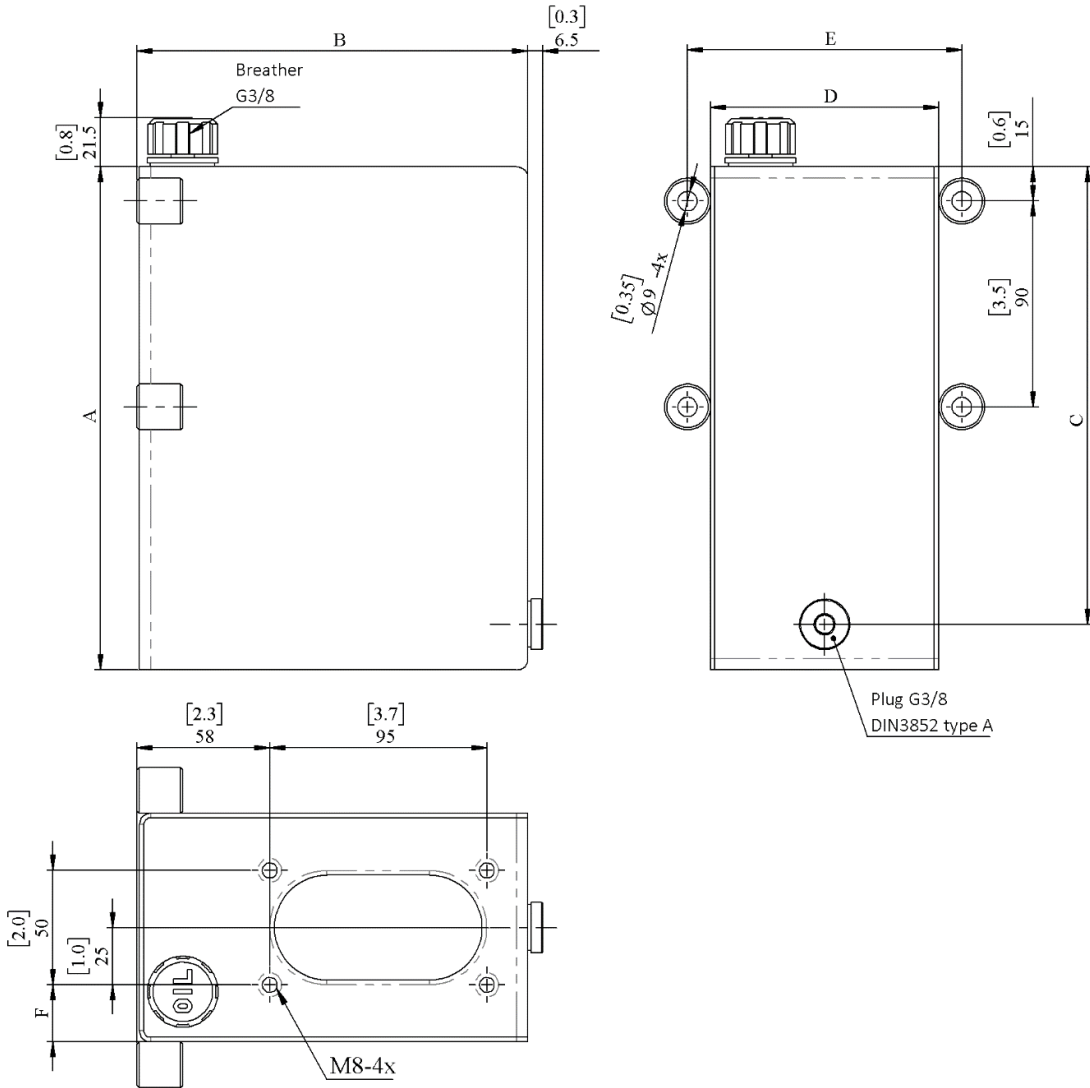
Hydraulic schemes



Type	A		B		C	D	E	mass	
	mm*	in*	mm*	in*	mm	mm	mm	kg*	lbs*
PRBD12	274	10.8	184	7.2	30.0	1.2	21	20	4.0 8.8
PRBD25	286	11.3	195	7.7	35.0	1.2	34	21	4.2 9.3
PRBD45	307	12.1	200	7.9	40	1.6	53.0	25	4.5 9.9

**Dimensional data:**

Each tank is painted in RAL9005 and includes the corresponding suction tube and filter



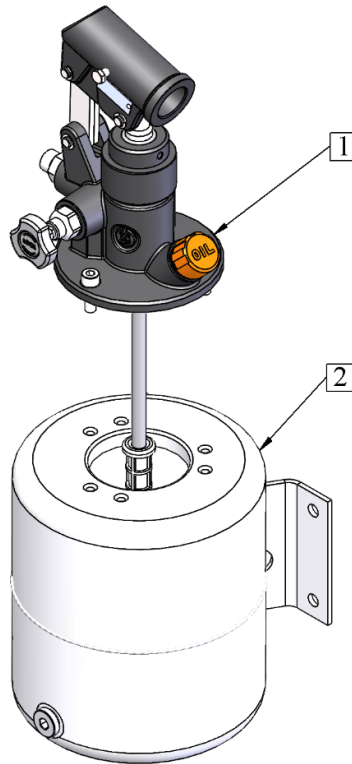
Type	A		B		C		D		E		F		mass	
	mm	in*	mm	in*	mm	in*	mm	in*	mm	in*	mm	in*	kg	lbs*
RP1	120	4.7	171	6.7	100	3.9	100	3.9	120	4.7	25	1.0	1.7	3.7
RP2	170	4.7	171	6.7	150	3.9	100	3.9	120	4.7	25	1.0	2.2	4.9
RP3	220	8.7	171	6.7	200	8	100	4	120	5	25	1	2.6	5.7
RP5	200	7.9	176	6.9	180	7	175	7	195	8	62.5	2	3.3	7.3
RP7	290	11.4	176	6.9	270	11	175	7	195	8	62.5	2	4.3	9.5
RP10	380	15.0	176	6.9	360	14	175	7	195	8	62.5	2	5.3	11.7

**Full order code (pump and tank)**

**PRP18/S60** + **R5**

└───┘                      └──┘ └──┘

1                                      2    3



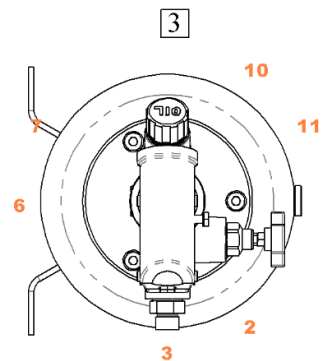
**1. Pump (page 10)**

**2. Cylindrical tanks (page 13-14)**

R2	2L tank
R3	3L tank
R5	5L tank
R7	7L tank
R4	4L tank, no breather (page 14)

**3. Outlet orientation (optional for cylindrical tanks)**

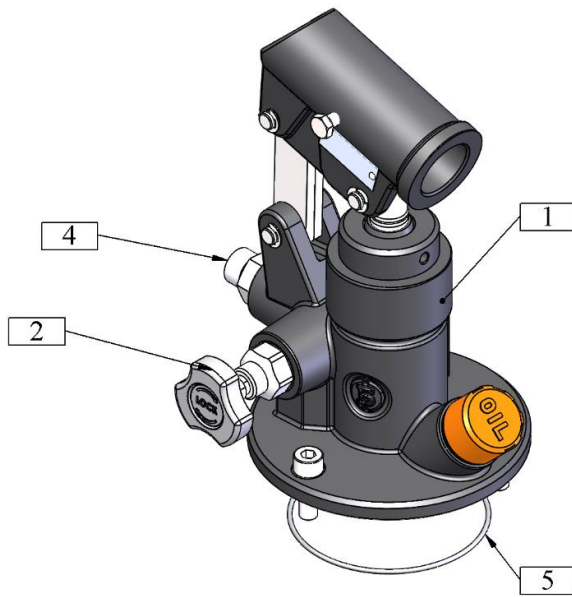
	outlet is oriented to pos. 3
C2	outlet is oriented to pos. 2
C6	outlet is oriented to pos. 6
C7	outlet is oriented to pos. 7
C11	outlet is oriented to pos. 11
C10	outlet is oriented to pos. 10



**Order code**

**PRP12/ M-S60-V- BP**

1 3 4 5 5



**1. Pump type**

PRP12/18/25	Single acting pump for single acting cylinders
PRBC20	Double acting pump for single acting cylinders

**2. Release valve**

	3S handle of the release valve
A	4S handle of the release valve
E	without release valve

**3. Other**

M	Dust-proof flexible bellow
---	----------------------------

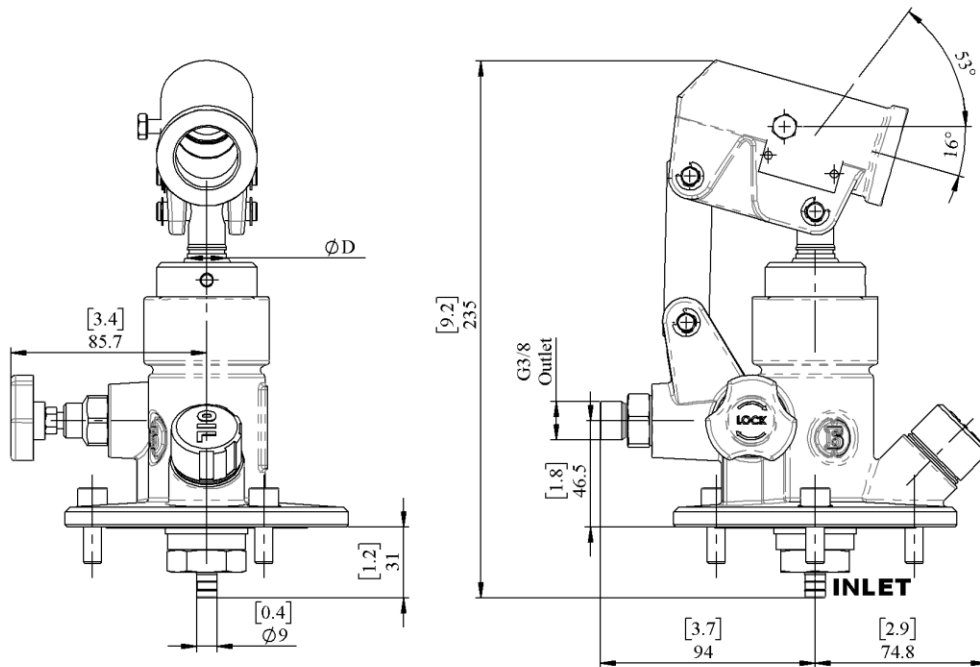
**4. Stud connectors and reducers**

S60	Outlet stud G3/8 (60 deg cone)
12L	Outlet stud 12L (M18x1,5)
ad3/8NPTF	Outlet reducer 3/8NPTF
x	no connectors
12S	Outlet stud 12S (M20x1,5)

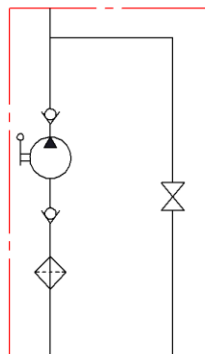
**5. Additional options**

V	Sealing outside M8 area
DDM	Bonded seal washers for PRPs M8 screws
WoL	without 550 mm lever
WoF	without suction filter
O	Reverse lever arm (180 deg.)

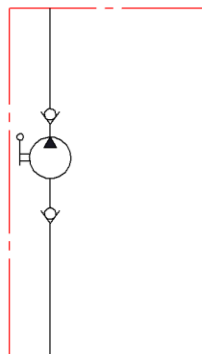
**Dimensional data**



Hydraulic schemes

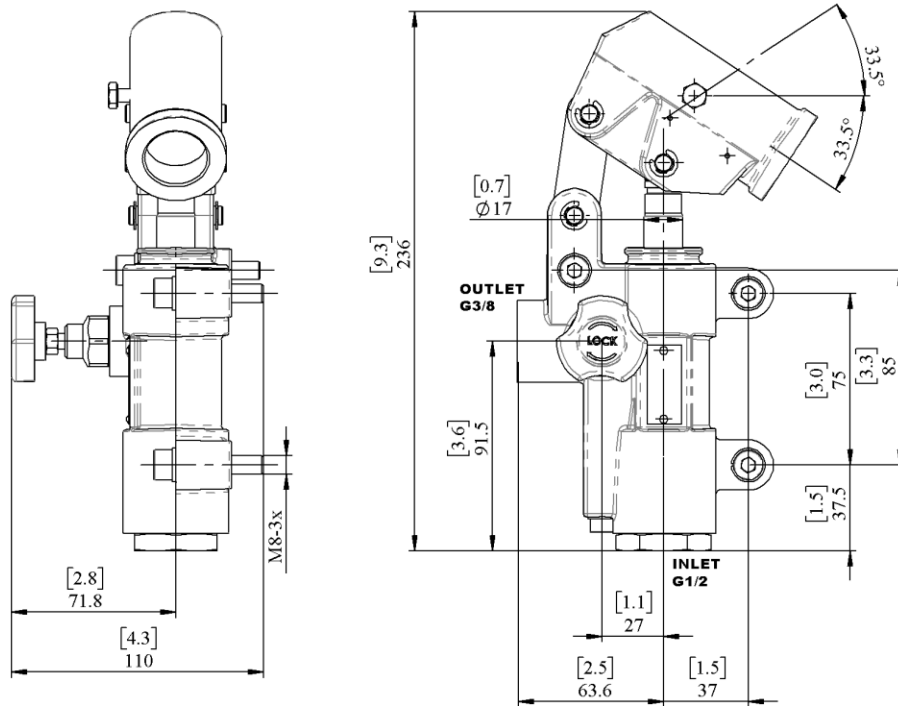


With release valve

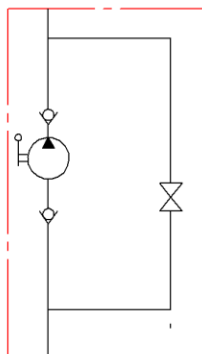


Without release valve

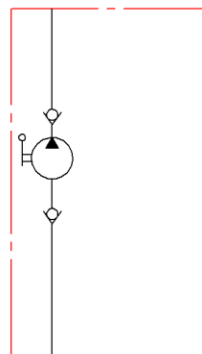
**Dimensional data:**



Hydraulic schemes



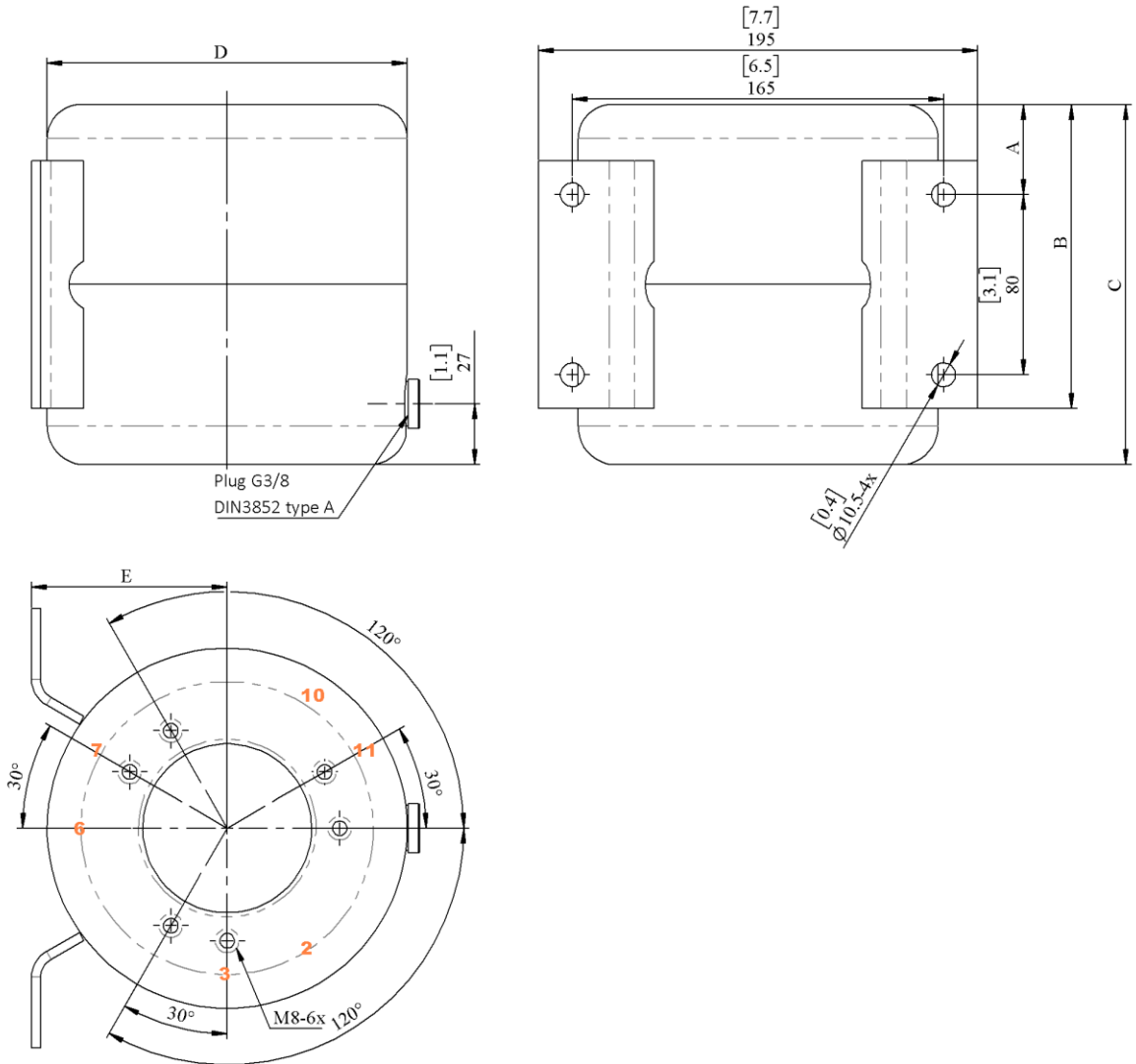
With release valve



Without release valve

**Dimensional data:**

Each tank is painted in RAL9005 and includes the corresponding suction tube and filter



Type	A		B		C		D		E		mass	
	mm	in	mm	in	mm	in	mm	in	mm	in	kg	lbs
R2G	30	1.2	125	4.9	130	5.1	160	6.3	87	3.4	1.9	4.2
R3G	40	1.2	135	4.9	160	5.1	160	6.3	87	3.4	2.1	4.6
R5G	53	2	148	5.8	214	8.4	185	7.3	101	4.0	3.0	6.6
R7G	53	2	148	5.8	240	9.4	205	8.1	113	4.4	3.7	8.2

