

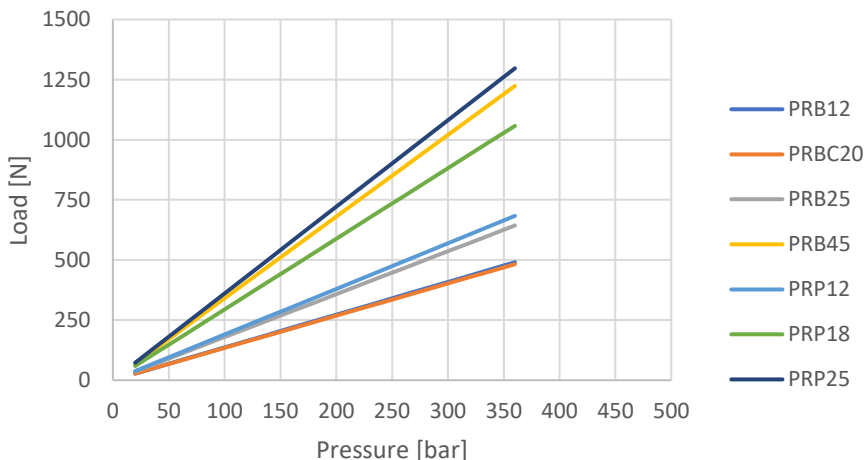
Working conditions

Pump type	PRB(D)12	PRB(D)25	PRB(D)45	PRBC20	PRP12	PRP18	PRP25
Type	Double acting				Single acting		
Displacement	12 cm ³	25 cm ³	45 cm ³	20 cm ³	12 cm ³	18 cm ³	25 cm ³
	0.7 in ³	1.5 in ³	2.7 in ³	1.2 in ³	0.7 in ³	1.1 in ³	1.5 in ³
Max. pressure	380 bar	350 bar	280 bar	350 bar	300 bar	200 bar	160 bar
	5500 psi	5100 psi	4100 psi	4100 psi	4400 psi	2900 psi	2300 psi
Optimal pressure	220 bar	120 bar	80 bar	225 bar	160 bar	120 bar	80 bar
	3200 psi	1700 psi	1200 psi	1200 psi	2300 psi	1700 psi	1200 psi
Fluid	Mineral based oil (DIN51524)						
Fluid temperature (NBR seals)	from -25 °C to 70 °C				from -13 °F to 158 °F		
Viscosity (min.)	10 mm ² /s				10 cSt		
Viscosity (max.)	500 mm ² /s				500 cSt		
Max. level of contamination	20/18/15 - ISO 4406				NAS 1683 - class 10		
Ambient temperature	from -20 °C to 60 °C				from -4 °F to 140 °F		
Note - for different working conditions contact sales dept.							

Reference standard

	BSP	UN-UNF	Metric	NPTF
Thread	ISO 228/1	ISO 263	ISO 262	Ansi B1.20.3
according to	BS 2779	ANSI B1.1 unified		
Cavity dimension	ISO 1179	11926	9974-1	
according to	SAE	J1926	J2244	J476a
	DIN 3852-2 (Shape X or Y)		3852-1 (Shape X or Y)	

Load effort for 550 mm handle

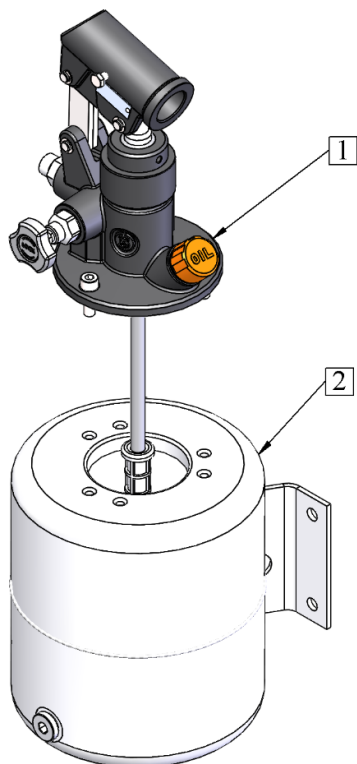


Full order code (pump and tank)

PRP18/S60 + **R5**

└───┬───┘
└──┬──┘
└──┬──┘

1
2
3



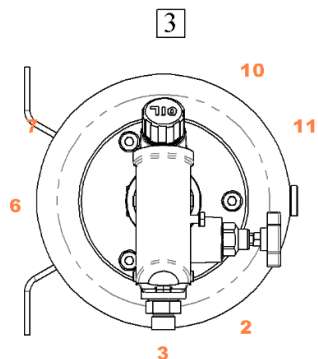
1. Pump (page 10)

2. Cylindrical tanks (page 13-14)

R2	2L tank
R3	3L tank
R5	5L tank
R7	7L tank
R4	4L tank, no breather (page 14)

3. Outlet orientation (optional for cylindrical tanks)

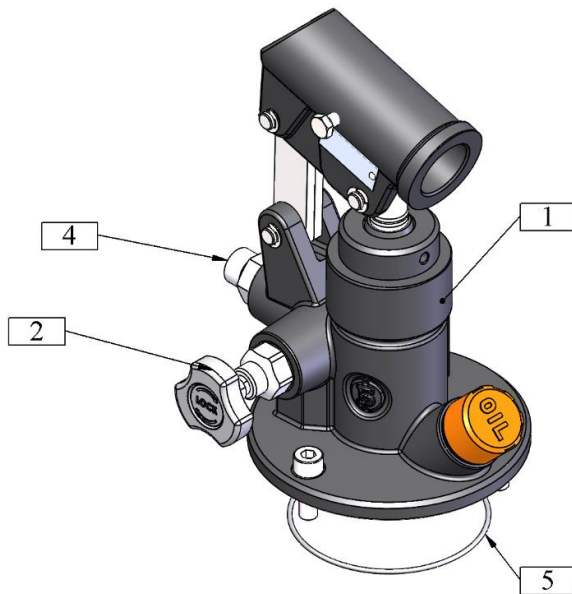
	outlet is oriented to pos. 3
C2	outlet is oriented to pos. 2
C6	outlet is oriented to pos. 6
C7	outlet is oriented to pos. 7
C11	outlet is oriented to pos. 11
C10	outlet is oriented to pos. 10



Order code

PRP12/ M-S60-V- BP

1 3 4 5 5



1. Pump type

PRP12/18/25	Single acting pump for single acting cylinders
PRBC20	Double acting pump for single acting cylinders

2. Release valve

	3S handle of the release valve
A	4S handle of the release valve
E	without release valve

3. Other

M	Dust-proof flexible bellow
---	----------------------------

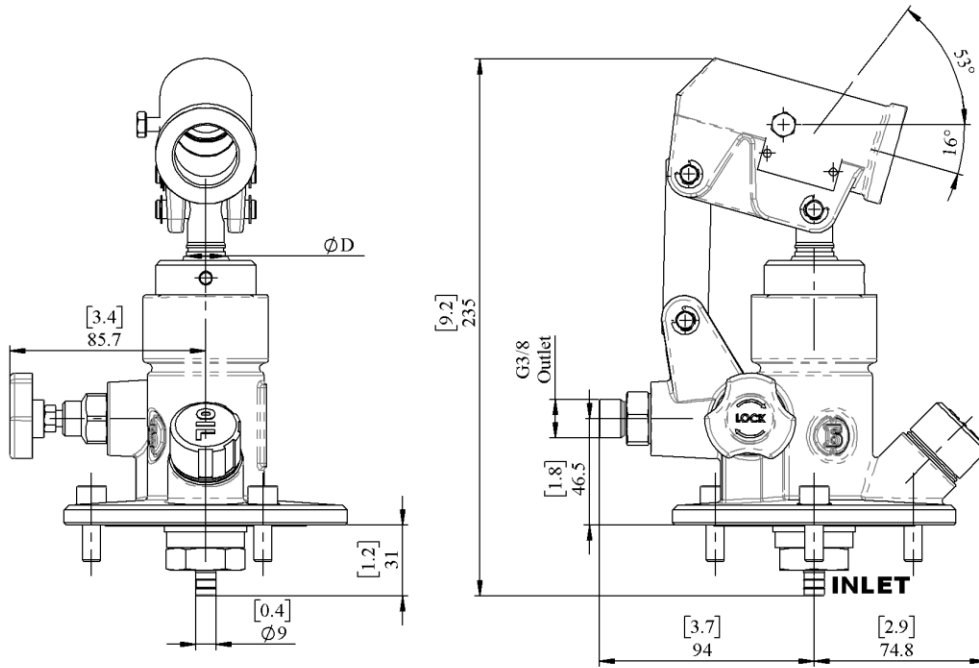
4. Stud connectors and reducers

S60	Outlet stud G3/8 (60 deg cone)
12L	Outlet stud 12L (M18x1,5)
ad3/8NPTF	Outlet reducer 3/8NPTF
x	no connectors
12S	Outlet stud 12S (M20x1,5)

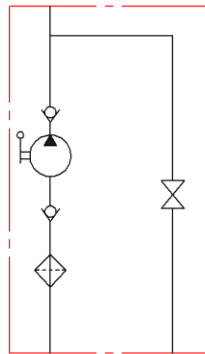
5. Additional options

V	Sealing outside M8 area
DDM	Bonded seal washers for PRPs M8 screws
WoL	without 550 mm lever
WoF	without suction filter
O	Reverse lever arm (180 deg.)

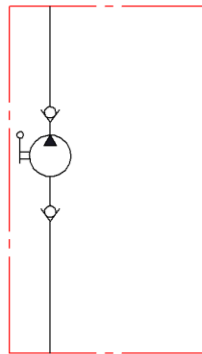
Dimensional data



Hydraulic schemes

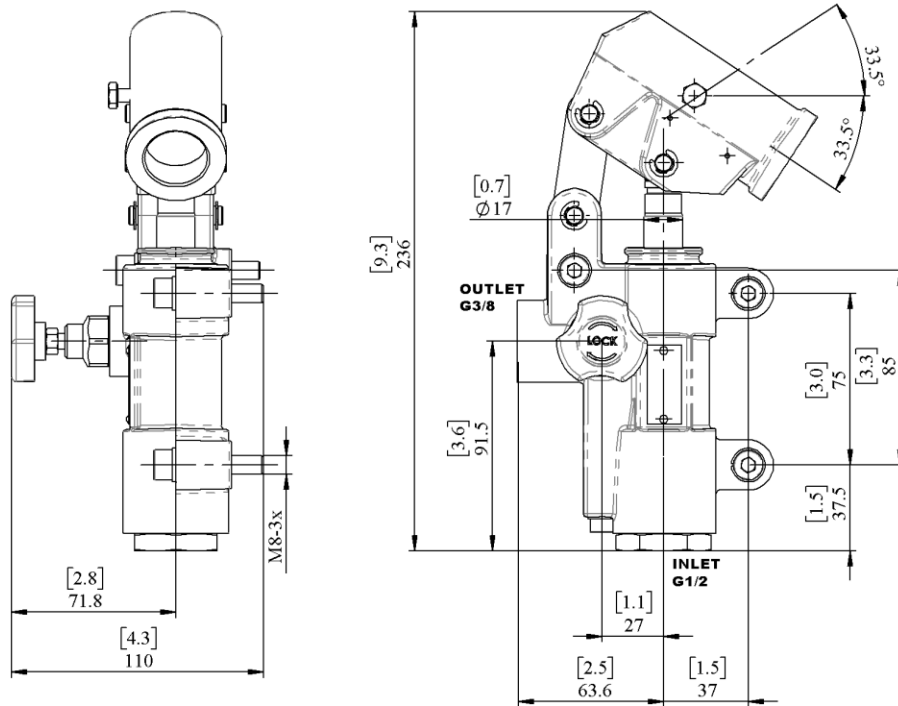


With release valve

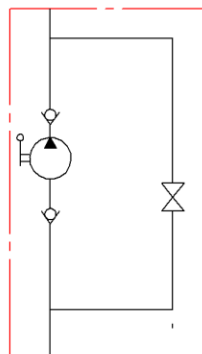


Without release valve

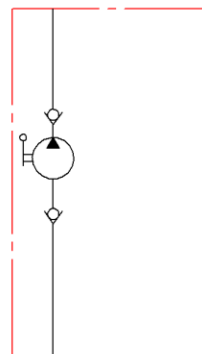
Dimensional data:



Hydraulic schemes



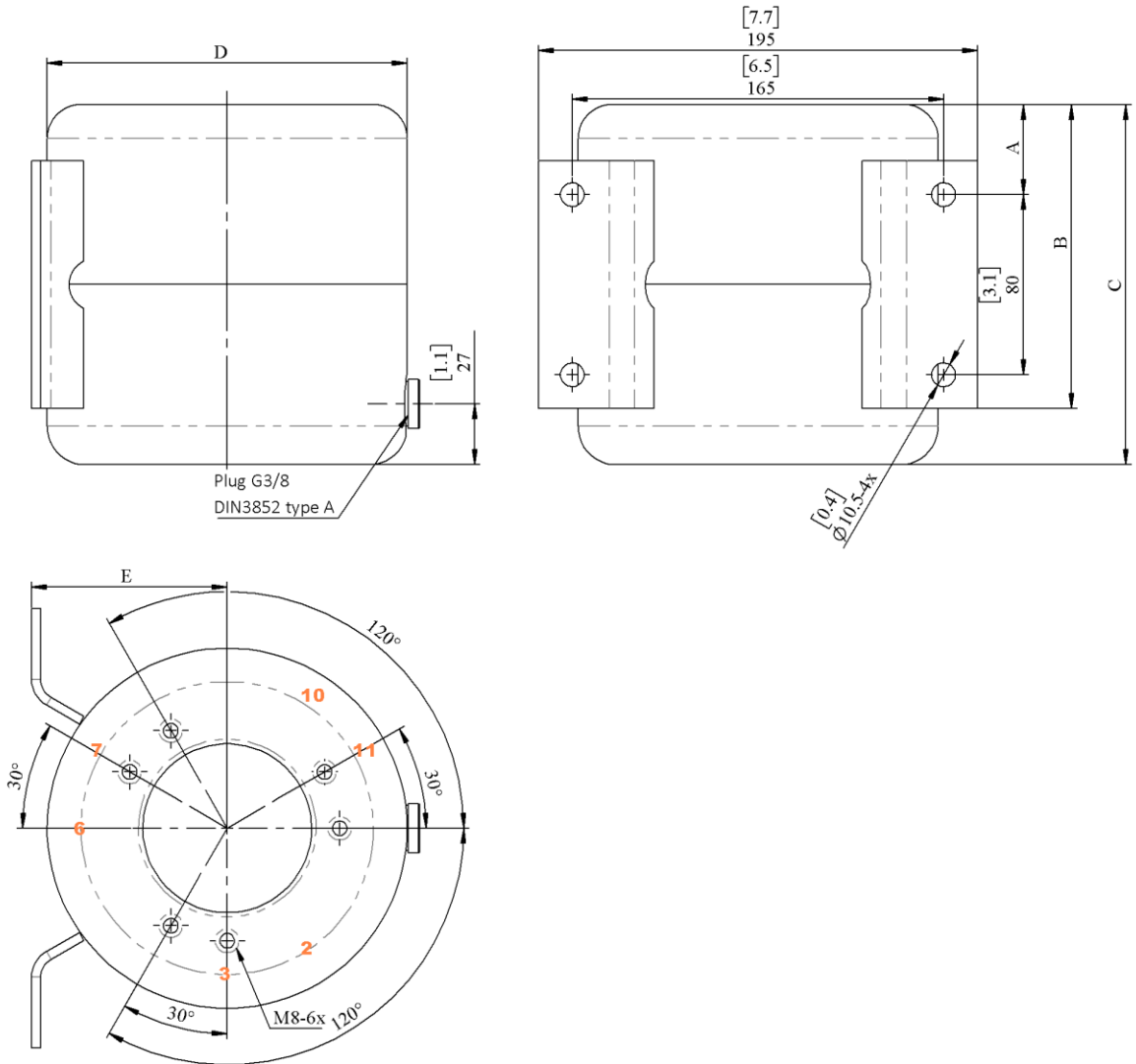
With release valve



Without release valve

Dimensional data:

Each tank is painted in RAL9005 and includes the corresponding suction tube and filter



Type	A		B		C		D		E		mass	
	mm	in	mm	in	mm	in	mm	in	mm	in	kg	lbs
R2G	30	1.2	125	4.9	130	5.1	160	6.3	87	3.4	1.9	4.2
R3G	40	1.2	135	4.9	160	5.1	160	6.3	87	3.4	2.1	4.6
R5G	53	2	148	5.8	214	8.4	185	7.3	101	4.0	3.0	6.6
R7G	53	2	148	5.8	240	9.4	205	8.1	113	4.4	3.7	8.2

Dimensional data:

Each tank is painted in RAL9005 and includes the corresponding suction tube and filter

