

FMM series

Maximum working pressure up to 42 MPa (420 bar) - Flow rate up to 300 l/min



Description

Technical data

High Pressure filters

In-line

Maximum working pressure up to 42 MPa (420 bar)

Flow rate up to 300 l/min

FMM is a range of versatile high pressure filter for protection of sensitive components in high pressure hydraulic systems in the mobile machines.

They are directly connected to the lines of the system through the hydraulic fittings.

Available features:

- Female threaded connections up to 1 1/4", for a maximum flow rate of 250 l/min
- Fine filtration rating, to get a good cleanliness level into the system
- Bypass valve, to relieve excessive pressure drop across the filter media
- Low collapse filter element "N", for use with filters provided with bypass valve
- Low collapse filter element with external support "R", for filter element protection against the back pressure caused by the check valve in filters provided with the bypass valve
- High collapse filter element with external support "S", for filter element protection against the back pressure caused by the check valve in filters not provided with the bypass valve
- Visual, electrical and electronic differential clogging indicators

Common applications:

- Agricultural machines
- Mobile machines

Filter housing materials

- Head: Painted cast iron, black RAL 9005
- Housing: Phosphatized steel
- Bypass valve: Steel

Pressure

- Test pressure: 63 MPa (630 bar)
- Burst pressure: 126 MPa (1260 bar)
- Pulse pressure fatigue test: 1 000 000 cycles with pressure from 0 to 42 MPa (420 bar)

Bypass valve

- Opening pressure 600 kPa (6 bar) ±10%
- Other opening pressures on request.

Δp element type

- Microfiber filter elements - series N-R: 20 bar
- Microfiber filter elements - series S: 210 bar
- Wire mesh filter elements - series N: 20 bar
- Fluid flow through the filter element from OUT to IN

Seals

- Standard NBR series A
- Optional FPM series V

Temperature

From -25 °C to +110 °C

Connections

In-line Inlet/Outlet

Note

FMM filters are provided for vertical mounting



Weights [kg] and volumes [dm³]

Filter series	Weights [kg]					Volumes [dm³]						
	Length	1	2	3	4	5	Length	1	2	3	4	5
FMM 050		3.11	3.48	3.90	4.36	5.54		0.34	0.48	0.63	0.81	1.23
FMM 150		7.50	9.50	10.90	-	-		0.60	1.00	1.25	-	-

Filter series	Length	Filter element design - N Series						Filter element design - S Series				
		A03	A06	A10	A16	A25	M25	A03	A06	A10	A16	A25
FMM 050	1	42	43	79	82	106	147	29	39	57	59	74
	2	52	57	85	96	121	149	45	49	76	88	114
	3	66	69	97	106	130	150	58	61	89	99	125
	4	83	89	113	115	134	152	74	80	106	108	129
	5	107	110	130	134	141	154	93	95	111	121	139
FMM 150	1	81	88	156	163	179	295					
	2	142	145	227	230	236	312					
	3	170	180	242	245	263	315					

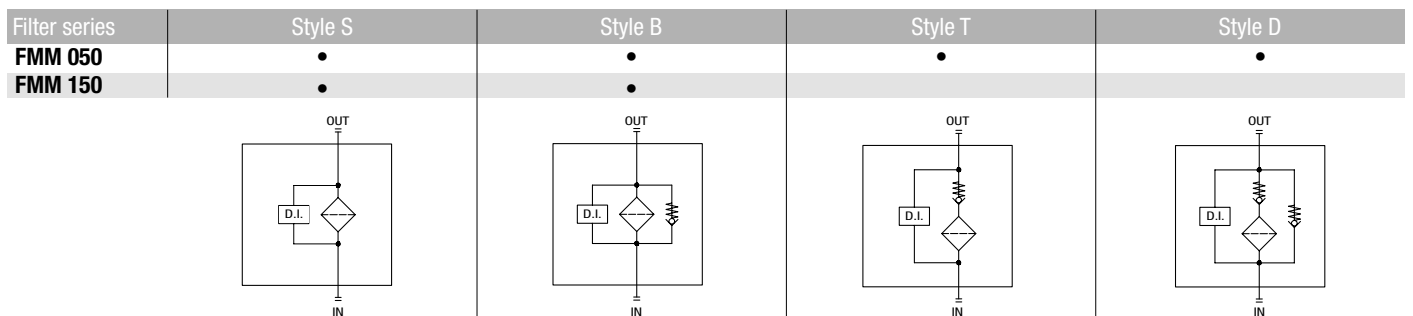
Maximum flow rate for a complete pressure filter with a pressure drop $\Delta p = 1.5$ bar.

The reference fluid has a kinematic viscosity of 30 mm²/s (cSt) and a density of 0.86 kg/dm³.

For different pressure drop or fluid viscosity we recommend to use our selection software available on www.mpfiltri.com.

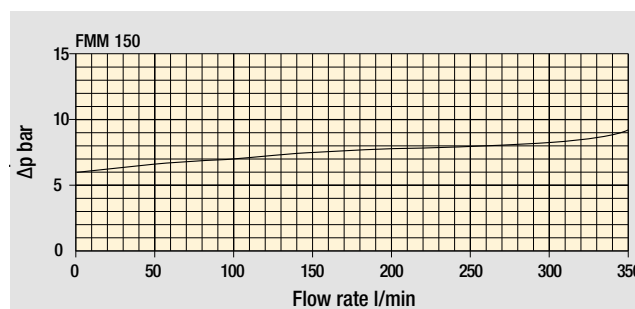
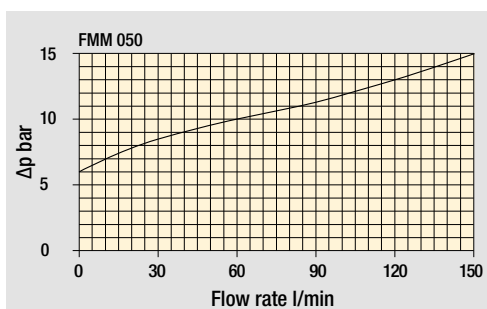
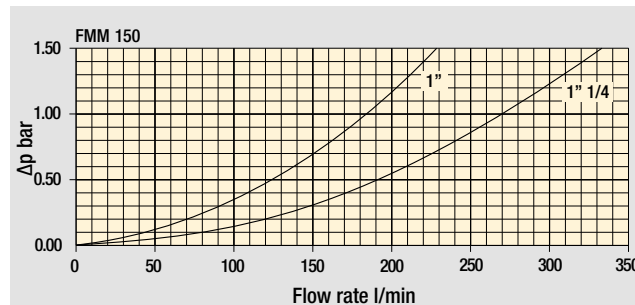
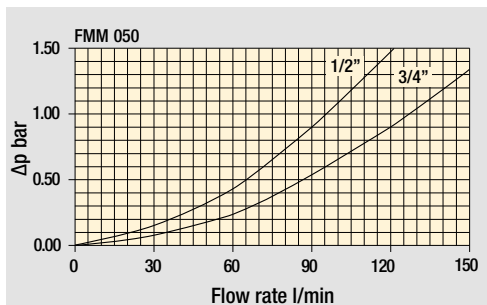
You can also calculate the right size using the formulas present on the FILTER SIZING paragraph at the beginning of the full catalogue or at the beginning of the filter family brochure. Please, contact our Sales Department for further additional information.

Hydraulic symbols

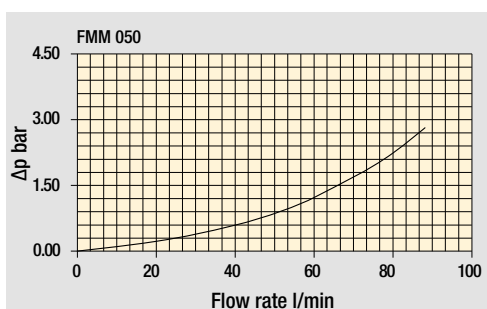


Pressure drop

Filter housings
 Δp pressure drop



Bypass valve
pressure drop



Filter housing
with check valve

Valves

The curves are plotted using mineral oil with density of 0.86 kg/dm³ in compliance with ISO 3968. Δp varies proportionally with density.

Designation & Ordering code

COMPLETE FILTER

Series and size	Configuration example: FMM050 3 B A G A10 N P01							
FMM050								
Length								
1 2 3 4 5								
Valves								
S Without bypass								
B With bypass 6 bar								
T With check valve, without bypass								
D With check valve, with bypass 6 bar								
Seals								
A NBR								
V FPM								
Connections								
A M18x1.5 - ISO 6149								
B M22x1.5 - ISO 6149								
C G 1/2"								
D G 3/4"								
E 1/2" NPT								
F 3/4" NPT								
G SAE 8 - 3/4" - 16 UNF								
H SAE 12 - 1 1/16" - 12 UN								

Filtration rating (filter media)		
A03 Inorganic microfiber	3	µm
A06 Inorganic microfiber	6	µm
A10 Inorganic microfiber	10	µm
A16 Inorganic microfiber	16	µm
A25 Inorganic microfiber	25	µm
M25 Wire mesh	25	µm

		Valves			
Element Δp	S	B	T	D	
N 20 bar		•			
R 20 bar				•	
S 210 bar	•		•		

Execution	
P01	Upper connection for clogging indicator
P02	Without connection for clogging indicator
P03	Frontal connection for clogging indicator
Pxx	Customized

FILTER ELEMENT

Element series and size	Configuration example: HP050 3 A10 A N P01					
HP050						
Element length						
1 2 3 4 5						

Filtration rating (filter media)		
A03 Inorganic microfiber	3	µm
A06 Inorganic microfiber	6	µm
A10 Inorganic microfiber	10	µm
A16 Inorganic microfiber	16	µm
A25 Inorganic microfiber	25	µm
M25 Wire mesh	25	µm

Seals	
A	NBR
V	FPM

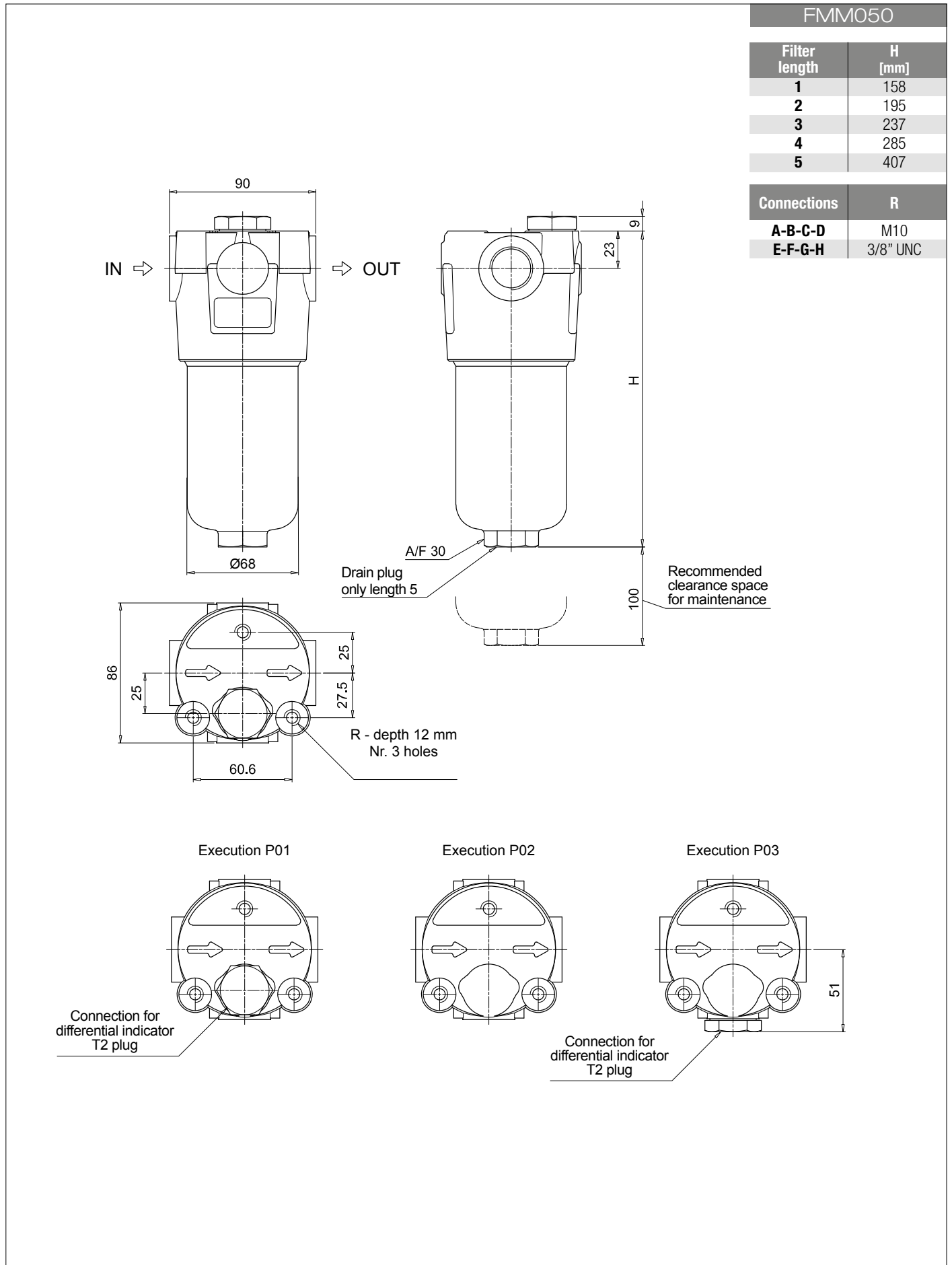
Element Δp	
N	20 bar
R	20 bar
S	210 bar

Execution	
P01	MP Filtri standard
Pxx	Customized

ACCESSORIES

Differential indicators		page
DEA Electrical differential indicator	577	DLE Electrical / visual differential indicator 580
DEH Hazardous area electronic differential indicator	577-578	DTA Electronic differential indicator 581
DEM Electrical differential indicator	578-579	DVA Visual differential indicator 581
DLA Electrical / visual differential indicator	579-580	DVM Visual differential indicator 581

Additional features		page
T2 Plug		582



FMM050	
Filter length	H [mm]
1	158
2	195
3	237
4	285
5	407

Connections	R
A-B-C-D	M10
E-F-G-H	3/8" UNC

Designation & Ordering code

COMPLETE FILTER

Series and size FMM150	Configuration example: FMM150	2	B	A	D	2	M25	N	P01
Length 1 2 3									
Valves S Without bypass B With bypass 6 bar									
Seals A NBR V FPM									
Connections C G 1" D G 1 1/4" E 1" NPT F 1 1/4" NPT G SAE 16 - 1 5/16" - 12 UN H SAE 20 - 1 5/8" - 12 UN									
Connection for differential indicator 1 Without connection 2 Upper connection 3 Frontal connection									
Filtration rating (filter media) A03 Inorganic microfiber 3 µm A06 Inorganic microfiber 6 µm A10 Inorganic microfiber 10 µm A16 Inorganic microfiber 16 µm A25 Inorganic microfiber 25 µm M25 Wire mesh 25 µm									
						Element Δp N 20 bar		Execution P01 MP Filtri standard Pxx Customized	

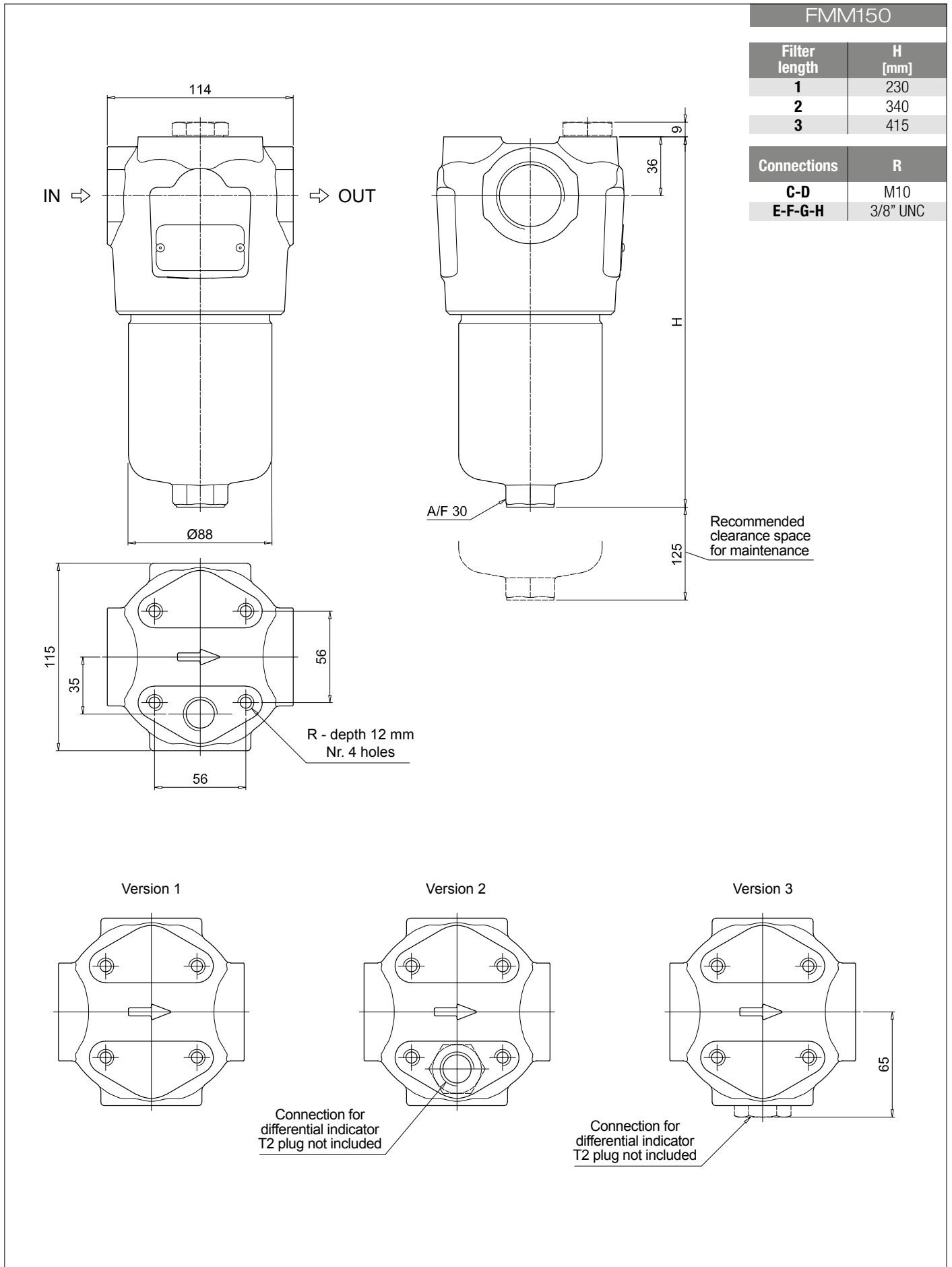
FILTER ELEMENT

Element series and size HP150	Configuration example: HP150	2	M25	A	N	P01
Element length 1 2 3						
Filtration rating (filter media) A03 Inorganic microfiber 3 µm A06 Inorganic microfiber 6 µm A10 Inorganic microfiber 10 µm A16 Inorganic microfiber 16 µm A25 Inorganic microfiber 25 µm M25 Wire mesh 25 µm						
						Seals A NBR V FPM
						Element Δp N 20 bar
						Execution P01 MP Filtri standard Pxx Customized

ACCESSORIES

Differential indicators	page		page
DEA Electrical differential indicator	577	DLE Electrical / visual differential indicator	580
DEH Hazardous area electronic differential indicator	577-578	DTA Electronic differential indicator	581
DEM Electrical differential indicator	578-579	DVA Visual differential indicator	581
DLA Electrical / visual differential indicator	579-580	DVM Visual differential indicator	581

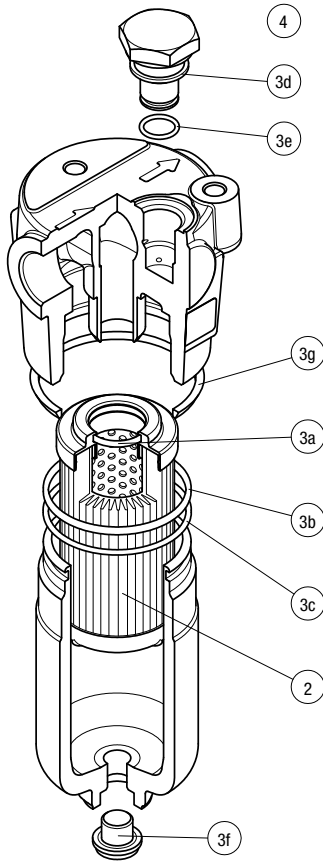
Additional features	page
T2 Plug	582



FMM SPARE PARTS

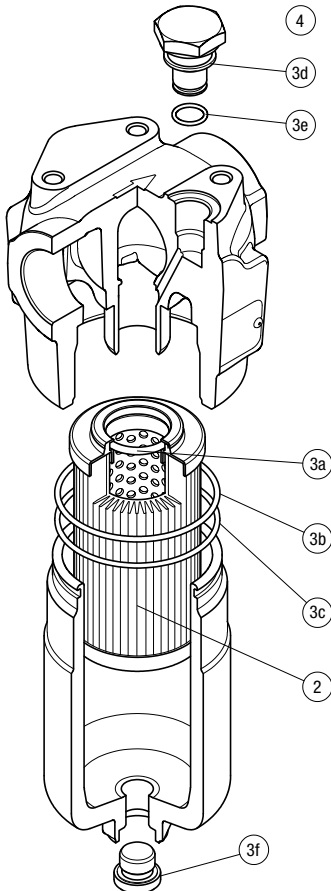
Order number for spare parts

FMM 050



Item:	Q.ty: 1 pc.	Q.ty: 1 pc.		Q.ty: 1 pc.	
Filter series	Filter element	Seal Kit code number		Indicator connection plug	
FMM 050	See order table	NBR	FPM	NBR	FPM
	2	3 (3a ÷ 3g)		4	
		02050314	02050315	T2H	T2V

FMM 150



Item:	Q.ty: 1 pc.	Q.ty: 1 pc.		Q.ty: 1 pc.	
Filter series	Filter element	Seal Kit code number		Indicator connection plug	
FMM 150	See order table	NBR	FPM	NBR	FPM
	2	3 (3a ÷ 3f)		4	
		02050731	02050732	T2H	T2V