

## Technical data

### Air breathers & Filler plugs

#### Metal air breather filter Flow rate up to 2500 l/min

SA is a range of metal air breathers for protection of the tank against the solid contamination contained into the air.

They are directly fitted on the tank. The robust design allows the use of these filters in any heavy-duty application.

#### Available features:

- Male threaded connections up to 2 1/2", for a maximum flow rate of 2500 l/min
- Replaceable filter element
- Fine cellulose filtration, to get a good cleanliness level into the reservoir
- Polyester media is an option for heavy environmental conditions (high humidity, sand ...)

#### Common applications:

- Mobile machines (construction and agriculture machines)
- Industrial equipment

#### Flow rate $\Delta p$ 0.02 bar

	Flow rate [l/min]	
	Filtration rating	L03
<b>SA036</b>	140	140
<b>SA053</b>	250	250
<b>SA075</b>	350	400
<b>SA115</b>	800	850
<b>SA145</b>	1800	1850
<b>SA185</b>	2300	2500

#### Materials

- Cover: Steel
- Connection: Anodized steel, Galvanized steel
- Filter element: Resin impregnated paper
- Screws: Galvanized steel
- Washer: Teflon
- Ring: Galvanized steel
- Seals: NBR

#### Temperature

From -25 °C to +100 °C

#### Weight

SA 036	0.08 kg
SA 053	0.15 kg
SA 075	0.26 kg
SA 115	0.40 kg
SA 145	0.59 kg
SA 185	1.22 kg



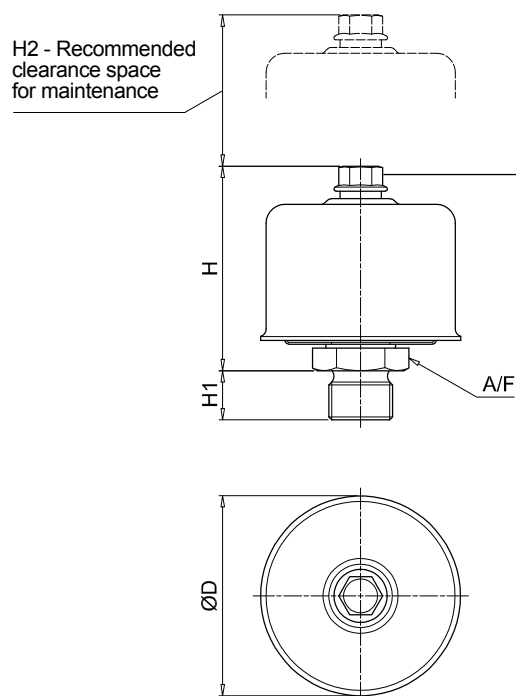
## Designation & Ordering code

### COMPLETE AIR BREATHER

Series and size						Configuration example : SA115 G1 L10 A P01				
<b>SA036</b>	<b>SA053</b>	<b>SA075</b>	<b>SA115</b>	<b>SA145</b>	<b>SA185</b>					
Connections										
	SA036	SA053	SA075	SA115	SA145	SA185				
<b>G1</b>	G 1/4"	G 1/4"	G 1/2"	G 1"	G 1 1/2"	G 2 1/2"				
<b>G2</b>	G 3/8"	G 3/8"	G 3/4"	-	-	-				
<b>G3</b>	G 1/2"	-	-	-	-	-				
<b>G4</b>	1/4" NPT	1/4" NPT	1/2" NPT	1" NPT	1 1/2" NPT	2 1/2" NPT				
<b>G5</b>	3/8" NPT	3/8" NPT	3/4" NPT	-	-	-				
<b>G6</b>	1/2" NPT	-	-	-	-	-				
Filtration rating										
<b>L03</b>	Resin impregnated paper		3 $\mu$ m							
<b>L10</b>	Resin impregnated paper		10 $\mu$ m							
<b>S</b>	Without filter element									
							<b>Seals</b>		<b>Execution</b>	
							<b>A</b> NBR		<b>P01</b> MP Filtri standard	
									<b>Pxx</b> Customized	

### FILTER ELEMENT

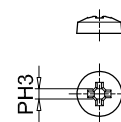
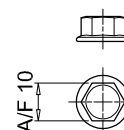
Filter element series and size						Configuration example : A8 L10 P01		
<b>A05</b>	<b>A5</b>	<b>A7</b>	<b>A8</b>	<b>A10</b>	<b>A11</b>			
Filtration rating								
<b>L03</b>	Resin impregnated paper		3 $\mu$ m					
<b>L10</b>	Resin impregnated paper		10 $\mu$ m					
								<b>Execution</b>
								<b>P01</b> MP Filtri standard
								<b>Pxx</b> Customized



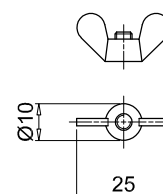
## Type of bolt/nut

**Phillips:**

SA036

**Hexagonal:**SA053  
SA075  
SA115  
SA145**Wings:**

SA185



Type	Connections	ØD [mm]	H [mm]	H1 [mm]	H2 [mm]	A/F [mm]
<b>036</b>	G1 ÷ G6	36	37	13	30	22
<b>053</b>	G1-G2-G4-G5	53	53	13	50	22
<b>075</b>	G1	75	69	13	60	27
	G2			17		32
	G4			15		27
	G5			20		32
<b>115</b>	G1 - G4	115	80	17	70	38
<b>145</b>	G1 - G4	145	115	25	100	55
<b>185</b>	G1 - G4	185	164	25	150	90