

Technical data

Air breathers & Filler plugs

Steel filler plug and air filter Flow rates up to 200 l/min

TA46 is a range of compact metal air breathers and filler caps for protection of the tank against the solid contamination contained into the air and filling of the fluid into the systems during the commissioning and maintenance procedures. They are directly fitted on the tank. The robust design allows the use of these filters in any heavy-duty application.

Available features:

- Male threaded connections up to 1/4" and flanged connection with bayonet, for a maximum flow rate of 200 l/min
- Fine cellulose filtration, to get a good cleanliness level into the reservoir
- Filling basket, to hold the coarse contamination contained into the fluid and to diffuse the fluid flow into the tank

Common applications:

- Compact hydraulic systems
- Compact mobile machines
- Industrial equipment

Flow rate Δp 0.02 bar

TA46	Flow rate [l/min]	
	Filtration rating 03	10
	150	200

Materials (version G/N)

- Cover: Chrome plated steel
- Filter element: Resin impregnated paper, Polyurethane
- Flange: Galvanized steel
- Connection: Phosphatized steel

Materials (version B)

- Cover: Chrome plated steel
- Filter element: Resin impregnated paper, Polyurethane
- Flange: Galvanized steel
- Connection: Galvanized steel
- Seals: NBR
- Chain: Brass
- Screws: Galvanized steel
- Basket: Galvanized steel

Temperature

From -25 °C to +100 °C

Weight

TA 46 B	0.10 kg
TA 46 G/N	0.11 kg



Designation & Ordering code

COMPLETE FILLER PLUG

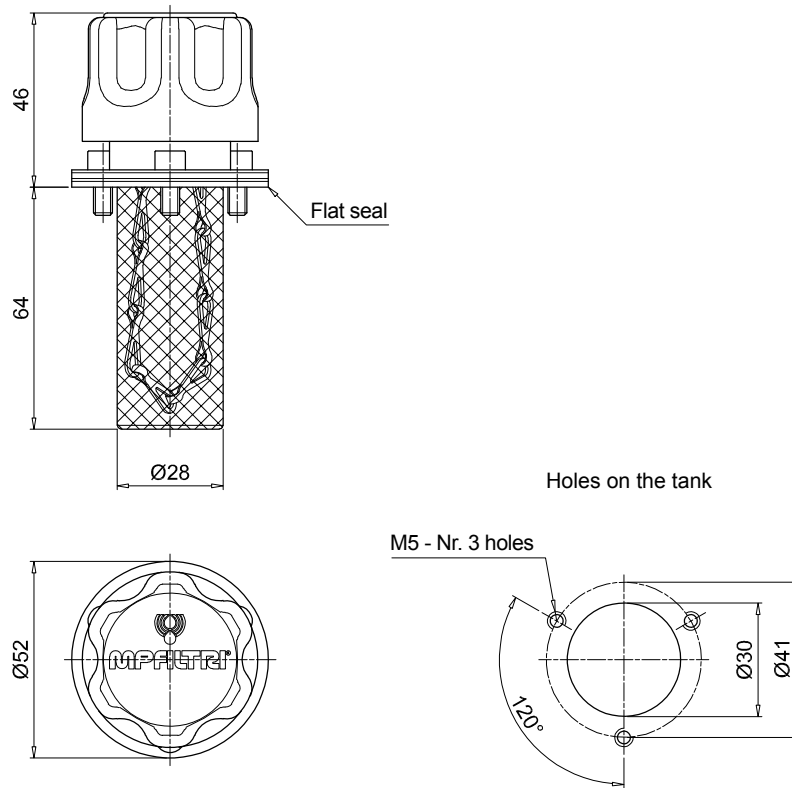
Serie	Configuration example 1 :	TA46	B	03	A	0	0	1	P01
TA46	Configuration example 2 :	TA46	G	10					P01
Connections									
B	Screwed flange with bayonet mount								
G	G 1/4"								
N	1/4" NPT								
Filtration rating									
03	Resin impregnated paper	3 µm							
10	Polyurethane	10 µm							
Seals									
A	NBR	Connection:	B	G	N				
Valve									
0	Without valve	Connection:	B	G	N				
Version									
0	Standard	Connection:	B	G	N				
Basket									
1	With basket	Connection:	B	G	N				

Execution

P01	MP Filtri standard
Pxx	Customized

TA46

Screwed flange



TA46

Threaded connection

