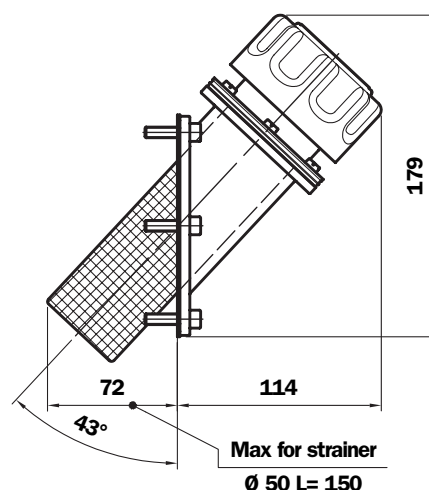


Dimensions



Flow rate with Δp : 0,02 bar

| Filtration | l/min |
|------------|-------|
| 3 μ m | 450 |
| 10 μ m | 550 |

Weight

TAL 80 1: 0,710 Kg

For tank hole see "SML 1" page 22.

Ordering information

Filler cap TAL80

| | | | | | | | | |
|-----------------------|--------------------------|--------------------------|--------------------------|--------------------------|--------------------------|--------------------------|--------------------------|--------------------------|
| | 1 | 2 | 3 | 4 | 5 | 6 | 7 | 8 |
| | <input type="checkbox"/> | <input type="checkbox"/> | <input type="checkbox"/> | <input type="checkbox"/> | <input type="checkbox"/> | <input type="checkbox"/> | <input type="checkbox"/> | <input type="checkbox"/> |
| Example: TAL80 | B | 03 | A | 1 | L | 1 | M | P01 |

1 - Filler cap connection

B Flange with bayonet connection

2 - Filter element

00 Without filter (Blank filler cap)
 03 3 μ m - Impregnated paper
 10 10 μ m - Polyurethane

3 - Seal

A NBR
 B Cork gasket

4 - Pressurisation valve

0 Without
 1 0,3 bar pressurisation valve
 2 0,7 bar pressurisation valve
 9 Anti-splash feature (only with filter element 3 μ m)

} Only with seal NBR

5 - Variants

0 Standard
 L With Padlock tab

6 - Basket

0 Without
 1 L= 80 mm

7 - Connection to reservoir

M Fixing with Metric screws
 U Fixing with UNC screws

8 - Options

P01 MP Filtri standard

Dimensions



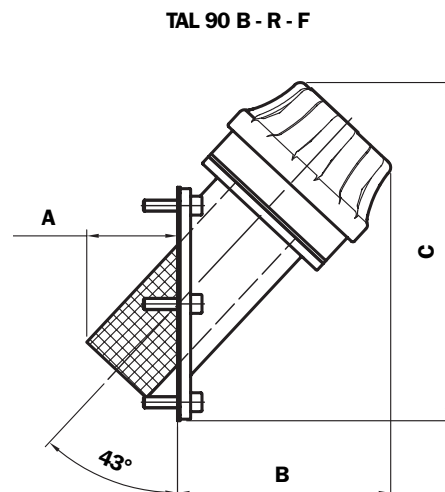
TAL 90 ...

Flow rate with Δp : 0,02 bar

| Filtration | l/min |
|------------|-------|
| 3 μ m | 450 |
| 10 μ m | 550 |

Weight

TAL 90: 0,560 Kg



TAL 90 B - R - F

| Type | A | B | C |
|-------------|----|-----|-----|
| TAL90 B - R | 48 | 113 | 179 |
| TAL90 F | 56 | 105 | 171 |

For tank hole see "SMF 1" page 18.

Ordering information

| Filler cap | 1 | 2 | 3 | 4 | 5 | 6 | 7 | 8 |
|----------------|--------------------------|--------------------------|--------------------------|--------------------------|--------------------------|--------------------------|--------------------------|--------------------------|
| TAL90 | <input type="checkbox"/> | <input type="checkbox"/> | <input type="checkbox"/> | <input type="checkbox"/> | <input type="checkbox"/> | <input type="checkbox"/> | <input type="checkbox"/> | <input type="checkbox"/> |
| Example: TAL90 | B | 03 | A | 1 | L | 1 | M | P01 |

1 - Filler cap Connection

- B** Flange with bayonet connection
- F** Flange with threaded connection M52x2 Spigot \varnothing 60 (DIN 24557)
- R** Flange with threaded connection M52x2

2 - Filter element

- 00** Without filter (Blank filler cap)
- 03** 3 μ m - Impregnated paper
- 10** 10 μ m - Polyurethane

3 - Seal

- A** NBR

4 - Pressurisation valve

- 0** Without
- 1** 0,3 bar pressurisation valve
- 2** 0,7 bar pressurisation valve

5 - Variants

- 0** Standard
- L** With Padlock tab
- C** With Chain external for connection **B**
With Chain internal for connection **F-R** (with basket only)
- D** With Padlock tab and chain external for connection **B**
With Padlock tab and chain internal for connection **F-R** (with basket only)

6 - Basket

- 0** Without
- 1** L= 120 mm

7 - Connection to reservoir

- M** Fixing with Metric screws
- U** Fixing with UNC screws

8 - Options

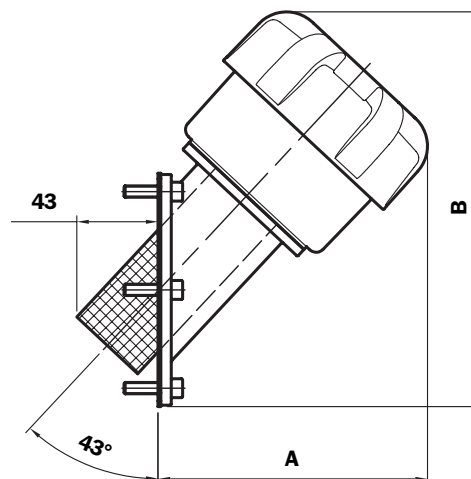
- P01** MP Filtri standard

Dimensions

TAL 115 1 F



TAL 115



Flow rate with Δp : 0,02 bar

Length 1

| Filtration | l/min |
|------------------|-------|
| 3 μm | 1600 |
| 10 μm | 2000 |

Weight

TAL 115 1: 0,840 Kg

Length 2

| Filtration | l/min |
|------------------|-------|
| 3 μm | 2150 |
| 10 μm | 2150 |

Weight

TAL 115 2: 0,965 Kg

| Length | A | B |
|--------|-----|-----|
| 1 | 143 | 209 |
| 2 | 187 | 257 |

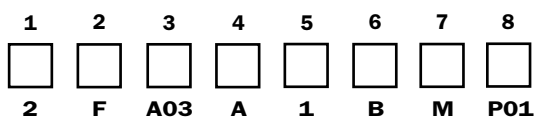
For tank hole see "SML 1" page 22.

Ordering information

Filler cap

TAL115

Example: TAL115



1 - Filler cap length

- 1
- 2

2 - Connection

- F Flange

3 - Filter element

- A03 3 μm - Microfibre
- L10 10 μm - Impregnated paper

4 - Seal

- A NBR
- V FPM

5 - Basket

- 0 Without
- 1 L= 120 mm

6 - Clogging indicator

- A Without
- B Clogging indicator

7 - Connection to reservoir

- M Fixing with Metric screws
- U Fixing with UNC screws

8 - Options

- P01 MP Filtri standard