

# TAP 90 series

Nylon oil filler and air breather filler cap



# TAP 90 GENERAL INFORMATION

## Technical data

### Air breathers & Filler plugs

#### Nylon oil filler and air breather filler cap

#### Flow rate up to 550 l/min

TAP90 is a range of plastic air breathers and filler caps for protection of the tank against the solid contamination contained into the air and filling of the fluid into the systems during the commissioning and maintenance procedures.

They are usually directly fitted on the tank.

#### Available features:

- Male threaded connections up to 1 1/2" and flanged connection with bayonet, for a maximum flow rate of 550 l/min
- Fine cellulose filtration, to get a good cleanliness level into the reservoir
- Pressurization valve with different setting, to guarantee a positive pressure into the tank in any application with metal or plastic tanks
- Padlock tab, to secure the air breather to the tank
- Filling basket, to hold the coarse contamination contained into the fluid and to diffuse the fluid flow into the tank
- Dipstick, to monitor the fluid level into the tank even in complicated positions

#### Common applications:

- Hydraulic systems
- Mobile machines
- Industrial equipment

### Flow rate $\Delta p$ 0.02 bar

	Flow rate [l/min]	
	Filtration rating 03	10
<b>TAP90</b>	450	550

### Materials

- Cover/Ringnut: Nylon
- Filter element: Resin impregnate paper, Polyurethane
- Pressurization valve: Nylon (bodies), Galvanized steel (end cap - disk), NBR (seals)
- Flange B: Nylon
- Seals: NBR
- Screws: Galvanized steel
- Padlock tab: Galvanized steel
- Chain, Ring: Brass
- Dipstick: Phosphatized steel
- Basket: Galvanized steel, Nylon

### Temperature

From -25 °C to +100 °C

### Weight

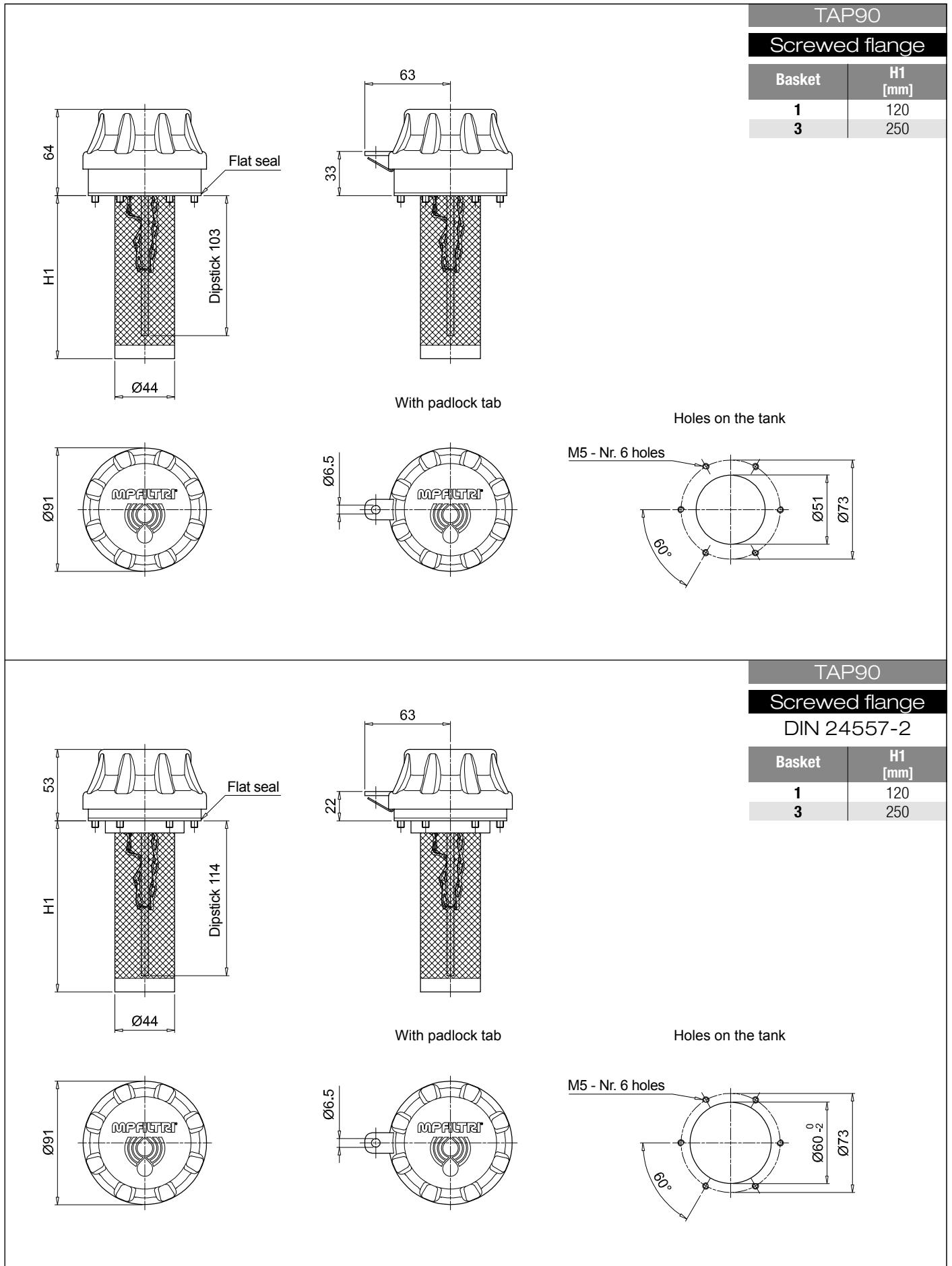
L 120 mm 0.25 kg  
L 250 mm 0.31 kg



## Designation & Ordering code

### COMPLETE BREATHER PLUG - TAP90

Series and size	Configuration example 1 :							
<b>TAP90</b>	TAP90	R	03	A	1	A	1	P01
Series and size	Configuration example 2 :							
<b>TAP90</b>	TAP90	G	10	A	2	L		P01
Connections to the tank		Connection						
<b>R</b> Screwed flange with M52x2 mount	<b>H</b> Thread G 1 1/2"							
<b>F</b> Screwed flange DIN 24557-2	<b>M</b> Thread 3/4" NPT							
<b>C</b> Weld riser	<b>G</b> Thread M52x2							
<b>Q</b> Thread G 3/4"								
Filtration rating	R	F	C	Q	H	M	G	
<b>00</b> Without filter (blind filler plug)	•	•	•					
<b>03</b> Resin impregnate paper 3 µm	•	•	•	•	•	•	•	
<b>10</b> Polyurethane 10 µm	•	•	•	•	•	•	•	
Valve	Filtration rating:		00	03	10			
<b>0</b> Without valve			•	•	•			
<b>1</b> 0.3 bar pressurization valve				•	•			
<b>2</b> 0.7 bar pressurization valve				•	•			
Version								
<b>0</b> Standard	<b>A</b> With dipstick							
<b>L</b> With padlock tab	<b>F</b> With padlock tab and dipstick							
Basket	Connection							
<b>0</b> Without basket	•	•	•					
<b>1</b> With basket 120 mm	•	•	•					
<b>3</b> With basket 250 mm	•	•	•					
Seals								
<b>A</b> NBR								
Execution								
<b>P01</b> MP Filtri standard								
<b>Pxx</b> Customized								

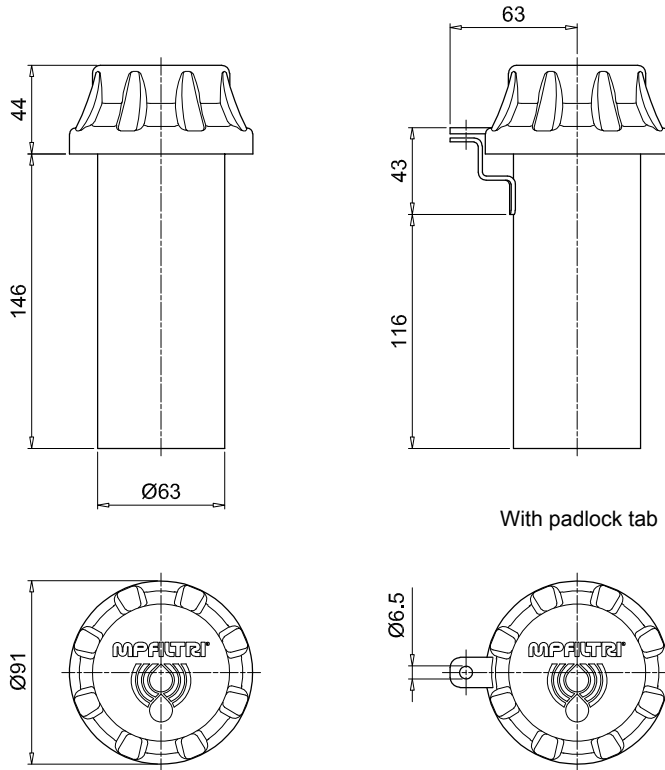


# TAP 90

## Dimensions

TAP90

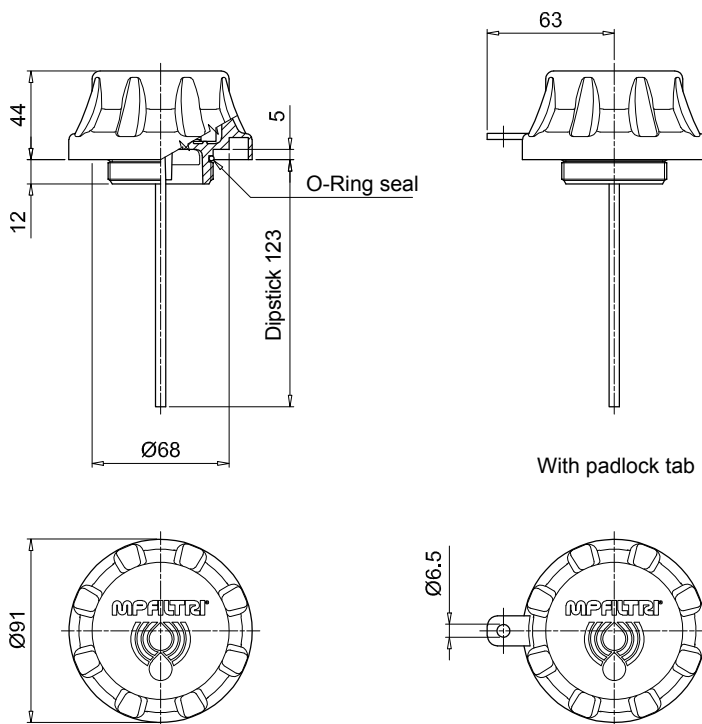
Weld riser



With padlock tab

TAP90

Threaded connection



With padlock tab

Connection	D1 [mm]	D2 [mm]	J [mm]	K [mm]
Q	G 3/4"	-	-	-
H	G 1 1/2"	48.5	8.5	2x15°
M	3/4" NPT	-	-	-
G	M 52x2	52.5	8.5	2x15°

Housing on the tank for connections GH-MT

