

SAP 054-075 series

Polyamide air breather filter

SA series

Metal air breather filter



SAP 054-075 GENERAL INFORMATION

Technical data

Air breathers & Filler plugs

Polyamide air breather filter Flow rate up to 400 l/min

SAP is a range of plastic air breathers for protection of the tank against the solid contamination contained into the air. They are directly fitted on the tank.

Available features:

- Male threaded connections up to 3/4", for a maximum flow rate of 400 l/min
- Replaceable filter element
- Fine cellulose filtration, to get a good cleanliness level into the reservoir
- Polyester media is an option for heavy environmental conditions (high humidity, sand ...)

Common applications:

- Mobile machines (construction and agriculture machines)
- Industrial equipment

Flow rate Δp 0.02 bar

	Flow rate [l/min]	
	Filtration rating	L03
SAP054	200	250
SAP075	350	400

Materials

- Cover: Polyamide
- Connection: Polyamide
- Filter element: Resin impregnated paper

Temperature

From -25 °C to +100 °C

Weight

SAP 054 - 0.06 kg
SAP 075 - 0.15 kg



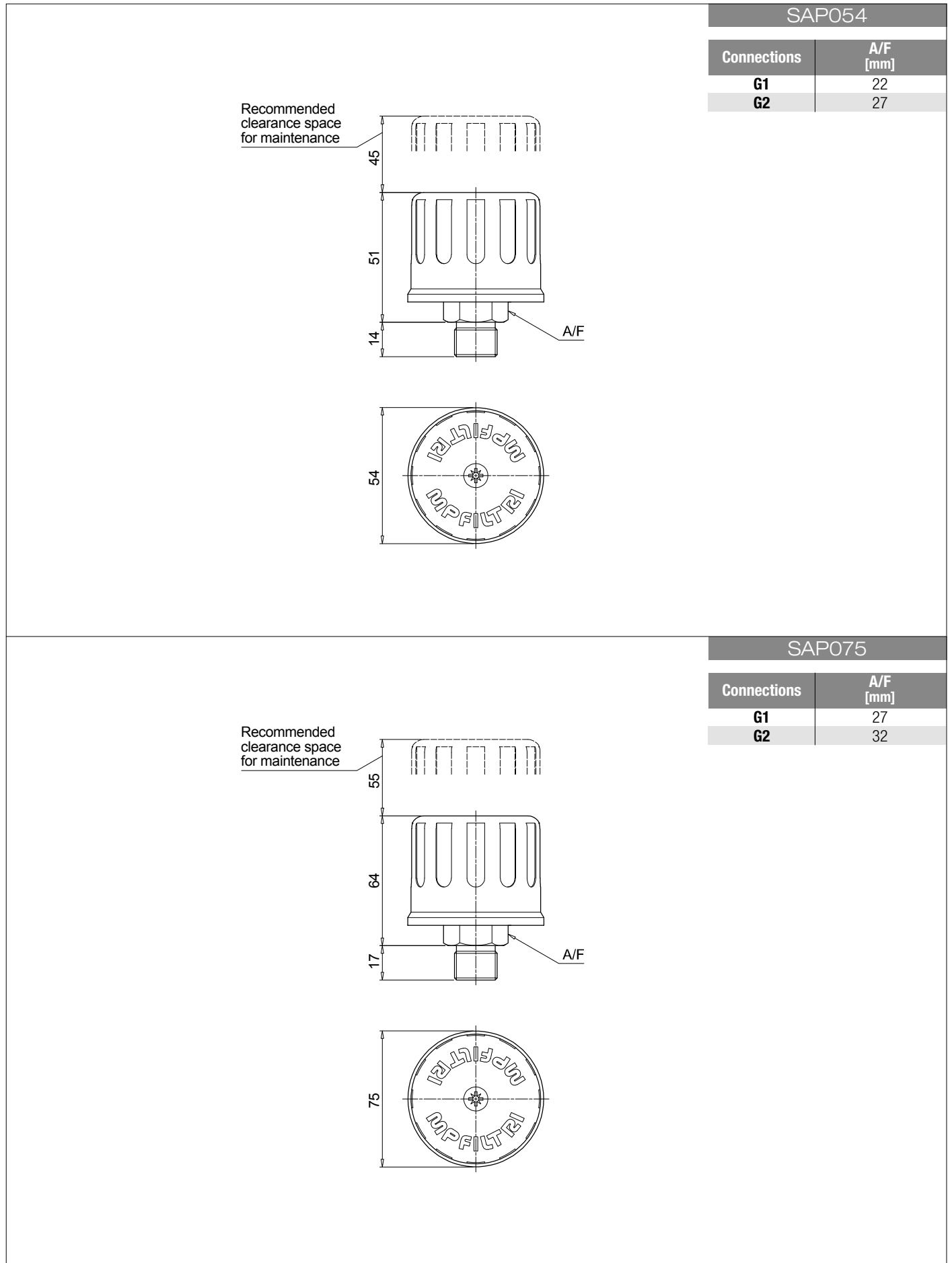
Designation & Ordering code

COMPLETE AIR FILTER

Series and size	Configuration example : SAP054 G2 L10 A P01				
SAP054					
SAP075					
Connections	SAP054	SAP075			
G1	G 3/8"	G 1/2"			
G2	G 1/2"	G 3/4"			
Filtration rating					
L03	Resin impregnated paper	3 µm			
L10	Resin impregnated paper	10 µm			
Seals					
A	NBR				
			Execution		
			P01	MP Filtri standard	
			Pxx	Customized	

FILTER ELEMENT

Filter element series and size	Configuration example : A4 L10 P01			
A4	SAP054			
A7	SAP075			
Filtration rating				
L03	Resin impregnated paper	3 µm		
L10	Resin impregnated paper	10 µm		
			Execution	
			P01	MP Filtri standard
			Pxx	Customized



Technical data

Air breathers & Filler plugs

Metal air breather filter Flow rate up to 2500 l/min

SA is a range of metal air breathers for protection of the tank against the solid contamination contained into the air.

They are directly fitted on the tank. The robust design allows the use of these filters in any heavy-duty application.

Available features:

- Male threaded connections up to 2 1/2", for a maximum flow rate of 2500 l/min
- Replaceable filter element
- Fine cellulose filtration, to get a good cleanliness level into the reservoir
- Polyester media is an option for heavy environmental conditions (high humidity, sand ...)

Common applications:

- Mobile machines (construction and agriculture machines)
- Industrial equipment

Flow rate Δp 0.02 bar

	Flow rate [l/min]	
	Filtration rating	L03
SA036	140	140
SA053	250	250
SA075	350	400
SA115	800	850
SA145	1800	1850
SA185	2300	2500

Materials

- Cover: Steel
- Connection: Anodized steel, Galvanized steel
- Filter element: Resin impregnated paper
- Screws: Galvanized steel
- Washer: Teflon
- Ring: Galvanized steel
- Seals: NBR

Temperature

From -25 °C to +100 °C

Weight

SA 036	0.08 kg
SA 053	0.15 kg
SA 075	0.26 kg
SA 115	0.40 kg
SA 145	0.59 kg
SA 185	1.22 kg



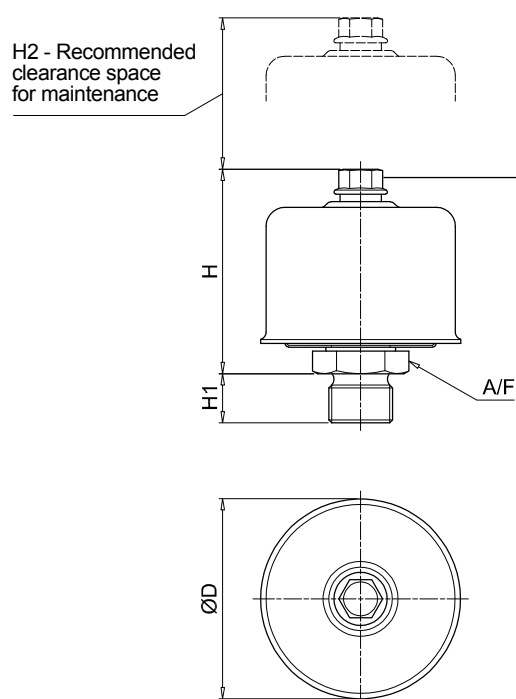
Designation & Ordering code

COMPLETE AIR BREATHER

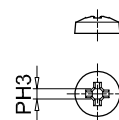
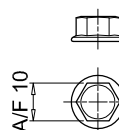
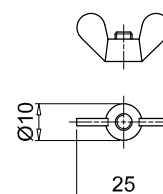
Series and size	Configuration example : SA115 G1 L10 A P01				
SA036 SA053 SA075 SA115 SA145 SA185					
Connections					
G1 G 1/4" G 1/4" G 1/2" G 1" G 1 1/2" G 2 1/2"					
G2 G 3/8" G 3/8" G 3/4" - - -					
G3 G 1/2" - - - - -					
G4 1/4" NPT 1/4" NPT 1/2" NPT 1" NPT 1 1/2" NPT 2 1/2" NPT					
G5 3/8" NPT 3/8" NPT 3/4" NPT - - -					
G6 1/2" NPT - - - - -					
Filtration rating					
L03 Resin impregnated paper 3 μ m					
L10 Resin impregnated paper 10 μ m					
S Without filter element					
	Seals	Execution			
	A NBR	P01 MP Filtri standard			
		Pxx Customized			

FILTER ELEMENT

Filter element series and size	Configuration example : A8 L10 P01		
A05 A5 A7 A8 A10 A11			
Filtration rating			
L03 Resin impregnated paper 3 μ m			
L10 Resin impregnated paper 10 μ m			
	Execution		
	P01 MP Filtri standard		
	Pxx Customized		



Type of bolt/nut

Phillips:
SA036**Hexagonal:**SA053
SA075
SA115
SA145**Wings:**
SA185

Type	Connections	ØD [mm]	H [mm]	H1 [mm]	H2 [mm]	A/F [mm]
036	G1 ÷ G6	36	37	13	30	22
053	G1-G2-G4-G5	53	53	13	50	22
075	G1	75	69	13	60	27
	G2			17		32
	G4			15		27
	G5			20		32
115	G1 - G4	115	80	17	70	38
145	G1 - G4	145	115	25	100	55
185	G1 - G4	185	164	25	150	90