

Technical data

Air breathers & Filler plugs

Metal air breather filter Flow rate up to 2500 l/min

SA is a range of metal air breathers for protection of the tank against the solid contamination contained into the air.

They are directly fitted on the tank. The robust design allows the use of these filters in any heavy-duty application.

Available features:

- Male threaded connections up to 2 1/2", for a maximum flow rate of 2500 l/min
- Replaceable filter element
- Fine cellulose filtration, to get a good cleanliness level into the reservoir
- Polyester media is an option for heavy environmental conditions (high humidity, sand ...)

Common applications:

- Mobile machines (construction and agriculture machines)
- Industrial equipment

Flow rate Δp 0.02 bar

| | Flow rate [l/min] | |
|--------------|-------------------|------|
| | Filtration rating | L03 |
| SA036 | 140 | 140 |
| SA053 | 250 | 250 |
| SA075 | 350 | 400 |
| SA115 | 800 | 850 |
| SA145 | 1800 | 1850 |
| SA185 | 2300 | 2500 |

Materials

- Cover: Steel
- Connection: Anodized steel, Galvanized steel
- Filter element: Resin impregnated paper
- Screws: Galvanized steel
- Washer: Teflon
- Ring: Galvanized steel
- Seals: NBR

Temperature

From -25 °C to +100 °C

Weight

| | |
|--------|---------|
| SA 036 | 0.08 kg |
| SA 053 | 0.15 kg |
| SA 075 | 0.26 kg |
| SA 115 | 0.40 kg |
| SA 145 | 0.59 kg |
| SA 185 | 1.22 kg |



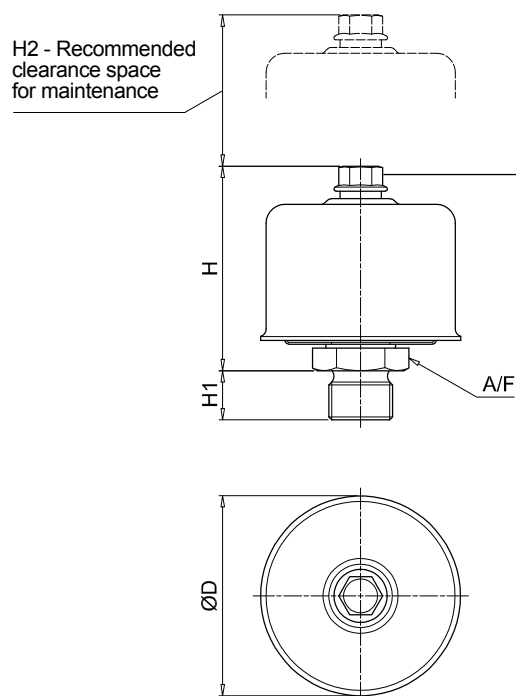
Designation & Ordering code

COMPLETE AIR BREATHER

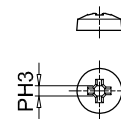
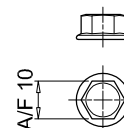
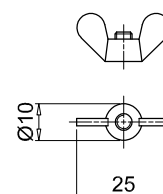
| Series and size | | | | | | Configuration example : SA115 G1 L10 A P01 | | | | |
|-------------------|-------------------------|--------------|--------------|--------------|--------------|--|--------------|--|-------------------------------|--|
| SA036 | SA053 | SA075 | SA115 | SA145 | SA185 | | | | | |
| Connections | | | | | | | | | | |
| | SA036 | SA053 | SA075 | SA115 | SA145 | SA185 | | | | |
| G1 | G 1/4" | G 1/4" | G 1/2" | G 1" | G 1 1/2" | G 2 1/2" | | | | |
| G2 | G 3/8" | G 3/8" | G 3/4" | - | - | - | | | | |
| G3 | G 1/2" | - | - | - | - | - | | | | |
| G4 | 1/4" NPT | 1/4" NPT | 1/2" NPT | 1" NPT | 1 1/2" NPT | 2 1/2" NPT | | | | |
| G5 | 3/8" NPT | 3/8" NPT | 3/4" NPT | - | - | - | | | | |
| G6 | 1/2" NPT | - | - | - | - | - | | | | |
| Filtration rating | | | | | | | | | | |
| L03 | Resin impregnated paper | | 3 μ m | | | | | | | |
| L10 | Resin impregnated paper | | 10 μ m | | | | | | | |
| S | Without filter element | | | | | | | | | |
| | | | | | | | Seals | | Execution | |
| | | | | | | | A NBR | | P01 MP Filtri standard | |
| | | | | | | | | | Pxx Customized | |

FILTER ELEMENT

| Filter element series and size | | | | | | Configuration example : A8 L10 P01 | | |
|--------------------------------|-------------------------|-----------|------------|------------|------------|------------------------------------|--|-------------------------------|
| A05 | A5 | A7 | A8 | A10 | A11 | | | |
| Filtration rating | | | | | | | | |
| L03 | Resin impregnated paper | | 3 μ m | | | | | |
| L10 | Resin impregnated paper | | 10 μ m | | | | | |
| | | | | | | | | Execution |
| | | | | | | | | P01 MP Filtri standard |
| | | | | | | | | Pxx Customized |



Type of bolt/nut

Phillips:
SA036**Hexagonal:**SA053
SA075
SA115
SA145**Wings:**
SA185

| Type | Connections | ØD [mm] | H [mm] | H1 [mm] | H2 [mm] | A/F [mm] |
|------------|-------------|---------|--------|---------|---------|----------|
| 036 | G1 ÷ G6 | 36 | 37 | 13 | 30 | 22 |
| 053 | G1-G2-G4-G5 | 53 | 53 | 13 | 50 | 22 |
| 075 | G1 | 75 | 69 | 13 | 60 | 27 |
| | G2 | | | 17 | | 32 |
| | G4 | | | 15 | | 27 |
| | G5 | | | 20 | | 32 |
| 115 | G1 - G4 | 115 | 80 | 17 | 70 | 38 |
| 145 | G1 - G4 | 145 | 115 | 25 | 100 | 55 |
| 185 | G1 - G4 | 185 | 164 | 25 | 150 | 90 |