

# MPFX series

Maximum working pressure up to 800 kPa (8 bar) - Flow rate up to 900 l/min





THE NEW FILTER CONCEPT

MPFX  
MPLX  
MPTX  
MFBX  
MFX  
series

### NEW FILTER ELEMENT WITH EXCLUSIVE INTERFACE CONNECTION

- **Protects the machine from improper use of non-original products.**
- **Safety of constant quality protection & reliability**

With exclusive filter element you are sure that only MP Filtri filter elements can be used, ensuring the best cleaning level of the oil due to the use of originals filter elements.



Filter element featuring our UNIQUE end cap with polygonal design.



UNIQUE polygonal spigot fitting within the filter bowl.

The products identified as MPFX, MPLX, MPTX, MFBX and MFX are protected by:

Italian Patent n° 102014902261205

Canadian Patent n° 2,937,258

and by the following patent applications:

European Patent n° 16181725.9

US Patent Pending n° 15/224,337

# MPFX GENERAL INFORMATION

## Description

### Return filter

**Maximum working pressure up to 800 kPa (8 bar)**

**Flow rate up to 900 l/min**

MPFX is a range of return filters for protection of the reservoir against the system contamination.

They are directly fixed to the reservoir, in immersed or semi-immersed position.

The filter output must be always immersed into the fluid to avoid aeration or foam generation into the reservoir.

### Available features:

- Female threaded connections up to 2" and flanged connections up to 2", for a maximum flow rate of 750 l/min
- Multiple connections, to connect several return lines or drains
- Fine filtration rating, to get a good cleanliness level into the reservoir
- Bypass valve integrated into the filter element, to relieve excessive pressure drop across the filter media
- 2, 3 or 4 fixing holes for installation, to suit a variety of reservoir surfaces
- O-ring or Flat Seal to suit a variety of reservoir surfaces
- Oil dipstick, to easily check the level of the fluid into the reservoir (sold as separate item)
- Extension tube, to be used in deep reservoirs (sold as separate item)
- Diffuser, to reduce the risk of aeration, foaming and noise (sold as separate item)
- Filler plug, to fill cleaned fluid into the tank without an additional connection
- Visual, electrical and electronic clogging indicators
- MYclean interface connection, to protect the product against non-original spare parts
- External protective wrap, to optimize the flow through the element and to save the element efficiency against non-proper handling

### Common applications:

- Light Industrial equipment
- Mobile application

## Technical data

### Filter housing materials

- Head: Aluminium

- Cover

Nylon: MPFX 030-100-104-110

Aluminium: MPFX 181-182-184-191-192-194-400-410-450-451-750

- Bowl: Nylon

### Bypass valve

- Opening pressure 175 kPa (1.75 bar) ±10%

- Opening pressure 300 kPa (3 bar) ±10%

### Δp element type

- Microfiber filter elements - series H: 10 bar

- Fluid flow through the filter element from OUT to IN

### Seals

- Standard NBR series A

- Optional FPM series V

### Temperature

From -25 °C to +110 °C

### Note

MPFX filters are provided for vertical mounting



## Weights [kg] and volumes [dm³]

Filter series	Weights [kg]					Volumes [dm³]				
	Length	1	2	3	4	Length	1	2	3	4
<b>MPFX 030</b>		0.40	-	-	-		0.29	-	-	-
<b>MPFX 100</b>		0.61	0.64	0.67	0.74		0.64	0.85	1.20	1.65
<b>MPFX 104</b>		0.82	0.96	1.02	1.25		0.64	0.85	1.20	1.65
<b>MPFX 110</b>		0.64	0.68	0.71	0.78		-	-	-	-
<b>MPFX 181</b>		2.20	3.00	-	-		2.50	4.00	-	-
<b>MPFX 182</b>		2.30	3.10	-	-		2.50	4.00	-	-
<b>MPFX 184</b>		2.55	3.45	-	-		2.65	4.45	-	-
<b>MPFX 191</b>		-	3.00	-	-		-	4.25	-	-
<b>MPFX 192</b>		-	3.10	-	-		-	4.25	-	-
<b>MPFX 194</b>		-	3.45	-	-		-	4.45	-	-
<b>MPFX 400</b>		3.35	3.65	3.90	-		3.70	4.60	5.40	-
<b>MPFX 410</b>		3.55	3.85	4.10	-		3.70	4.60	5.40	-
<b>MPFX 450-451</b>		3.95	4.25	4.50	-		3.70	4.60	5.40	-
<b>MPFX 750</b>		6.30	-	-	-		8.45	-	-	-

Filter series	Length	Filter element design - H series					Filter element design - N series		
		A03	A06	A10	A16	A25	M25 M60 M90	P10	P25
<b>MPFX 030</b>	<b>1</b>	7	10	24	29	47	84	60	66
<b>MPFX 100-104-110</b>	<b>1</b>	18	20	53	56	65	153	87	96
	<b>2</b>	28	38	65	75	95	158	111	123
	<b>3</b>	48	55	125	135	169	289	224	251
	<b>4</b>	79	89	180	185	198	306	264	289
<b>MPFX 181-182-184</b>	<b>1</b>	127	148	235	243	278	441	285	299
	<b>2</b>	231	262	358	382	388	472	404	412
<b>MPFX 191-192-194</b>	<b>2</b>	261	305	489	528	546	696	583	598
<b>MPFX 400</b>	<b>1</b>	150	171	294	304	350	585	370	390
	<b>2</b>	237	252	454	462	589	868	619	645
	<b>3</b>	248	288	553	609	621	885	680	703
<b>MPFX 410</b>	<b>1</b>	146	167	277	285	325	512	341	357
	<b>2</b>	226	239	396	402	485	644	503	519
	<b>3</b>	236	269	462	497	505	653	539	553
<b>MPFX 450-451</b>	<b>1</b>	150	171	294	304	350	585	370	390
	<b>2</b>	237	252	454	462	589	868	619	645
	<b>3</b>	248	288	553	609	621	885	680	703
<b>MPFX 750</b>	<b>1</b>	392	465	623	700	769	929	804	819

### Maximum flow rate for a complete return filter with a pressure drop $\Delta p = 0.5$ bar.

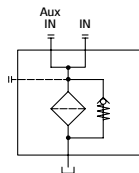
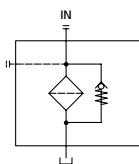
The reference fluid has a kinematic viscosity of 30 mm<sup>2</sup>/s (cSt) and a density of 0.86 kg/dm<sup>3</sup>.

For different pressure drop or fluid viscosity we recommend to use our selection software available on [www.mpfiltri.com](http://www.mpfiltri.com).

You can also calculate the right size using the formulas present on the FILTER SIZING paragraph at the beginning of the full catalogue or at the beginning of the filter family brochure. Please, contact our Sales Department for further additional information.

## Hydraulic symbols

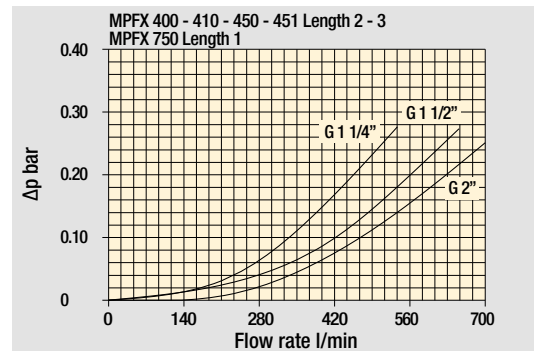
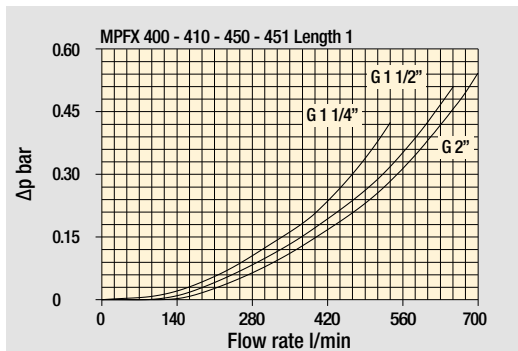
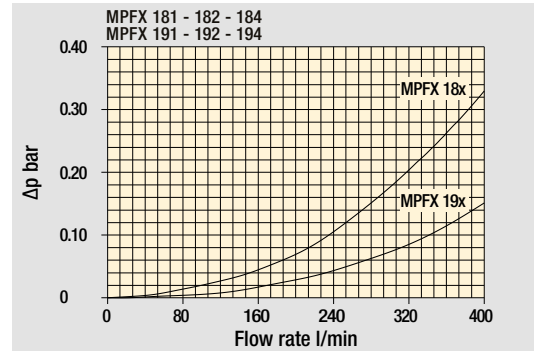
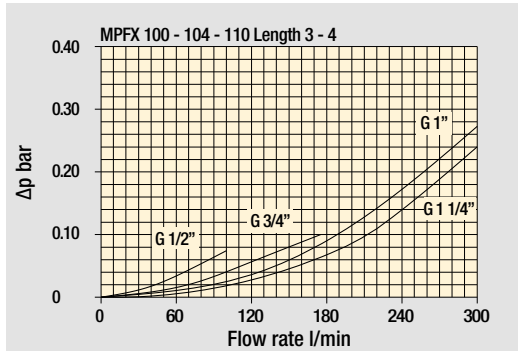
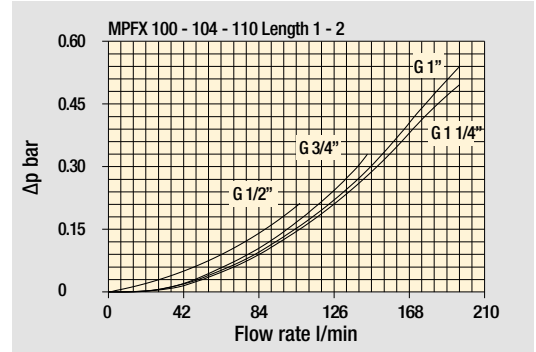
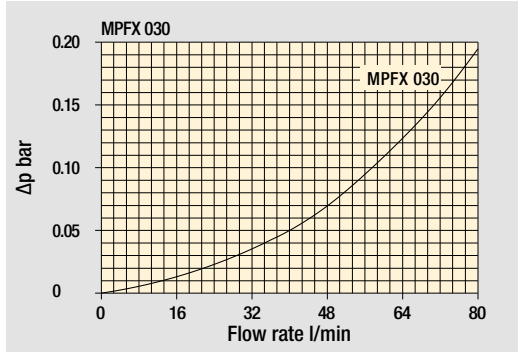
Filter series	Style 1 connection	Style 2 connections
<b>MPFX 030</b>	•	
<b>MPFX 100</b>	•	
<b>MPFX 104</b>	•	
<b>MPFX 110</b>		•
<b>MPFX 181</b>	•	
<b>MPFX 182</b>		•
<b>MPFX 184</b>	•	•
<b>MPFX 191</b>	•	
<b>MPFX 192</b>	•	
<b>MPFX 194</b>	•	•
<b>MPFX 400</b>	•	
<b>MPFX 410</b>		•
<b>MPFX 450</b>	•	
<b>MPFX 451</b>		•
<b>MPFX 750</b>	•	



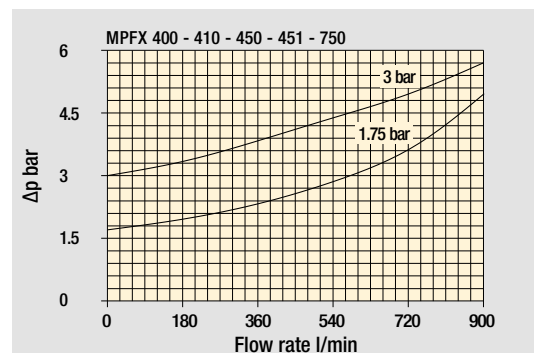
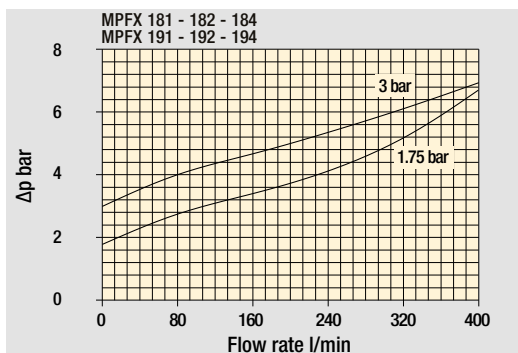
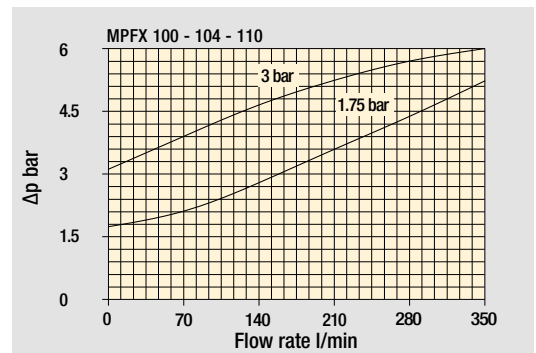
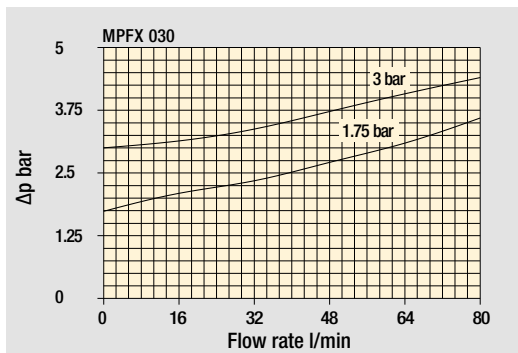
# MPFX GENERAL INFORMATION

## Pressure drop

### Filter housings $\Delta p$ pressure drop



### Bypass valve pressure drop

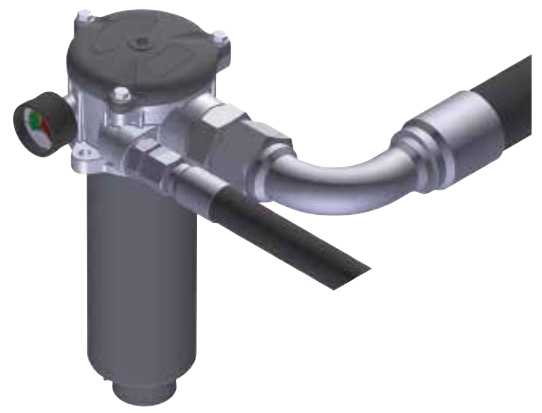


The curves are plotted using mineral oil with density of 0.86 kg/dm<sup>3</sup> in compliance with ISO 3968.  $\Delta p$  varies proportionally with density.

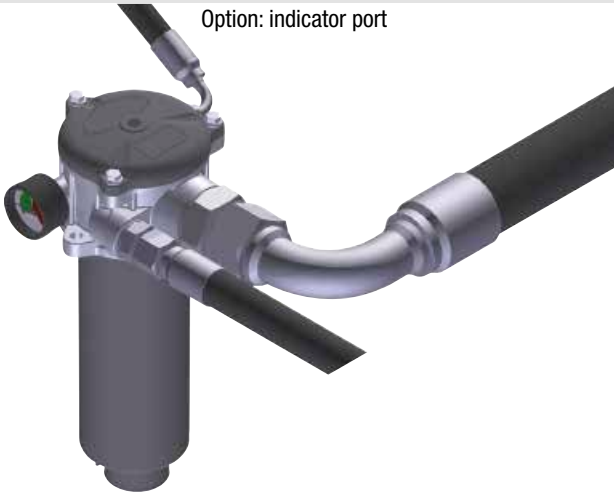
Standard - Single IN port



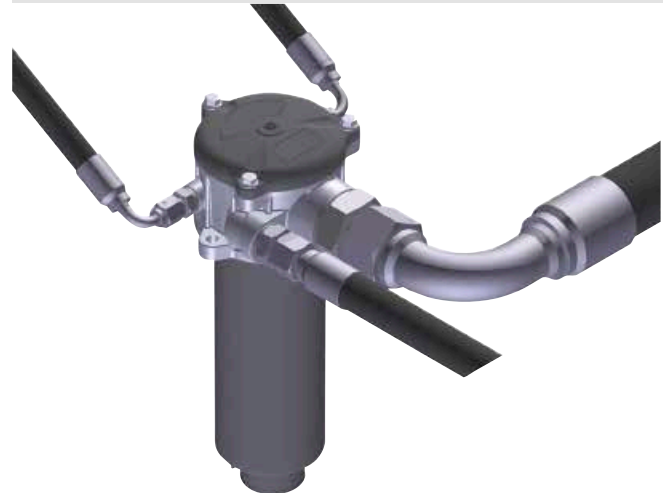
Double IN port  
Option: double indicator port



Double IN port - Drain port  
Option: indicator port

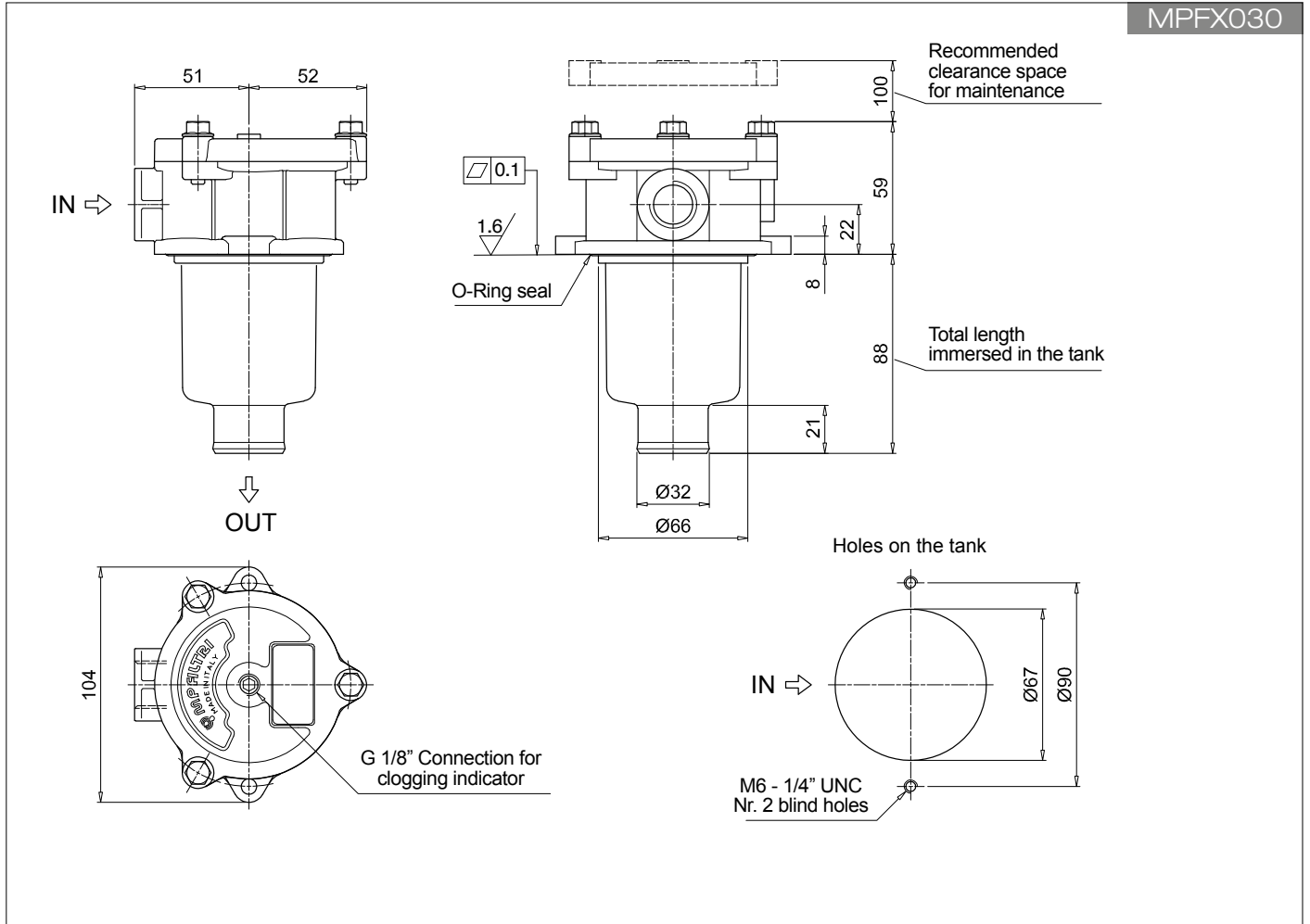


Double IN port - Double drain port





MPFX030



# MPFX MPFX100 - MPFX104

## Designation & Ordering code

### COMPLETE FILTER

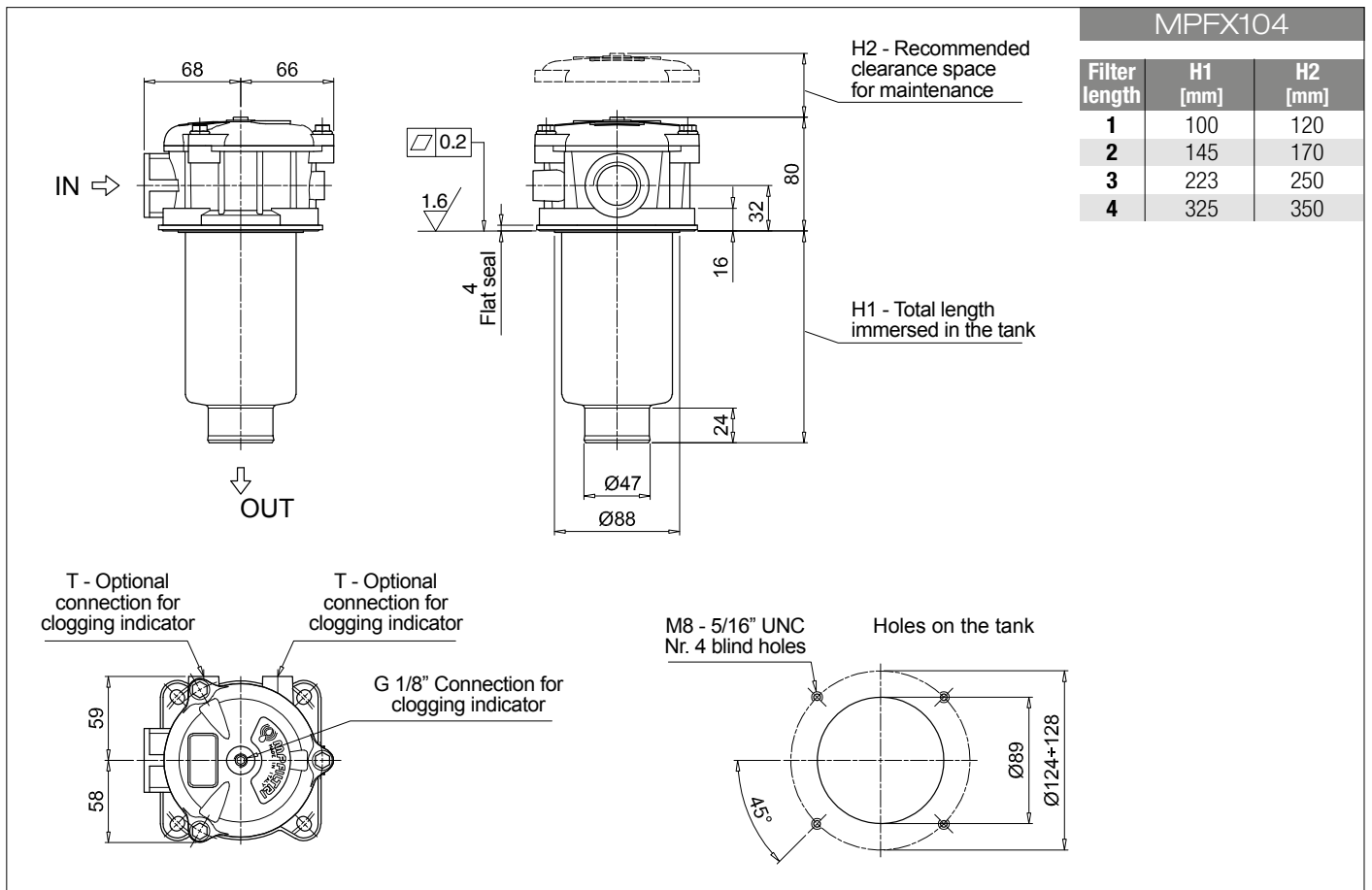
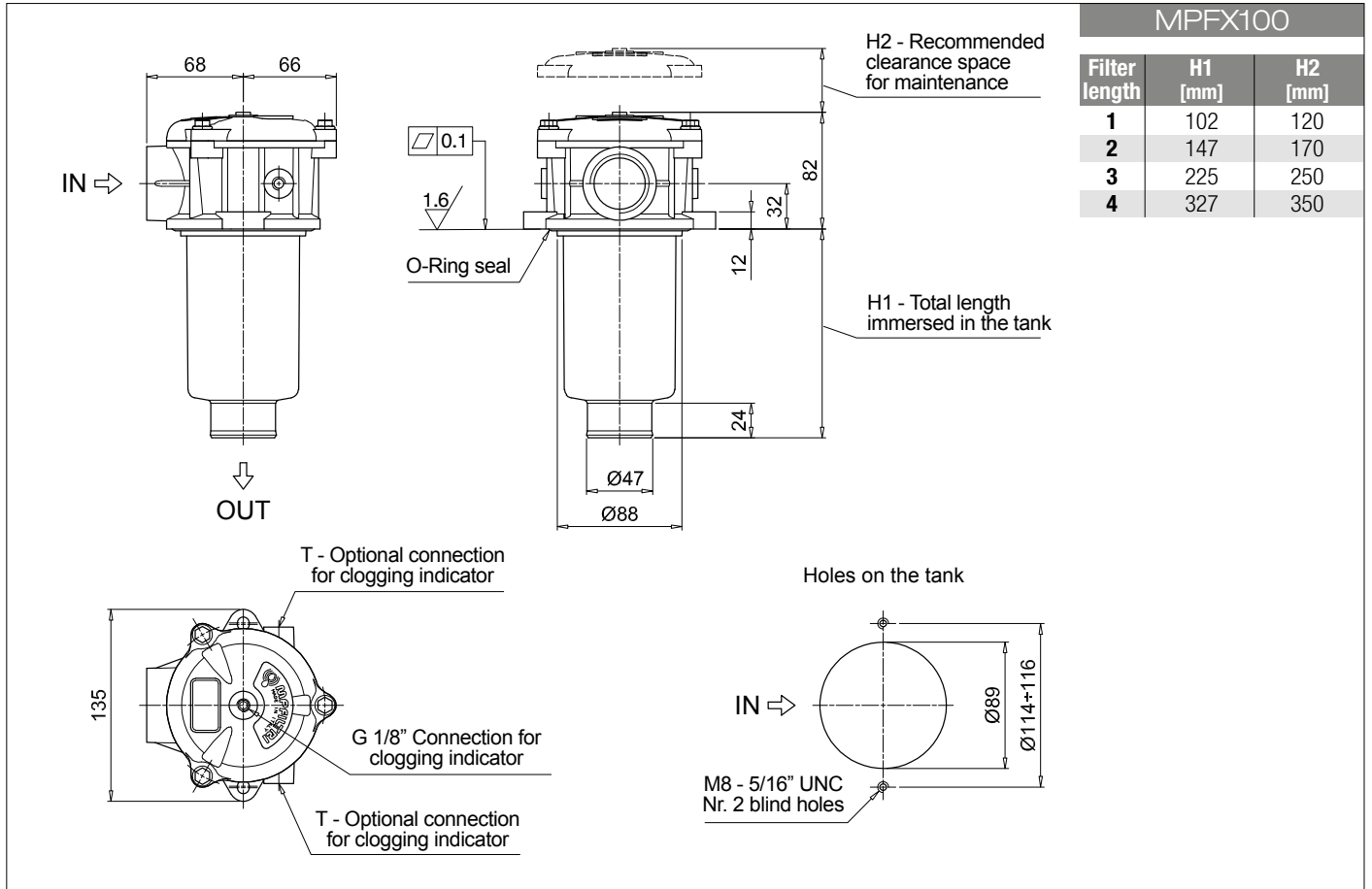
<b>Series and size</b>	Configuration example 1: <b>MPFX100</b>   <b>2</b>   <b>W</b>   <b>G3</b>   <b>A06</b>   <b>W</b>   <b>B</b>   <b>P01</b>							
<b>MPFX100</b>   <b>MPFX104</b> Filter element with private spigot	Configuration example 2: <b>MPFX104</b>   <b>4</b>   <b>A</b>   <b>G8</b>   <b>P10</b>   <b>N</b>   <b>E</b>   <b>P01</b>							
<b>Length</b>	1   2   3   4							
<b>Seals and treatments</b>	<b>A</b> NBR <b>V</b> FPM <b>W</b> NBR head anodized <b>Z</b> FPM head anodized							
<b>Connections</b>	<b>Size 100</b>	<b>Size 104</b>	<b>Connections</b>	<b>Size 100</b>	<b>Size 104</b>			
<b>G1</b> G 1/2"	•	•	<b>G7</b> SAE 8 - 3/4" - 16 UNF	•	•			
<b>G2</b> G 3/4"	•	•	<b>G8</b> SAE 12 - 1 1/16" - 12 UN	•	•			
<b>G3</b> G 1"	•	•	<b>G9</b> SAE 16 - 1 5/16" - 12 UN	•	•			
<b>G4</b> 1/2" NPT	•	•						
<b>G5</b> 3/4" NPT	•	•						
<b>G6</b> 1" NPT	•	•						
<b>Filtration rating (filter media)</b>	<b>A03</b> Inorganic microfiber 3 µm <b>M25</b> Wire mesh 25 µm <b>A06</b> Inorganic microfiber 6 µm <b>M60</b> Wire mesh 60 µm <b>A10</b> Inorganic microfiber 10 µm <b>M90</b> Wire mesh 90 µm <b>A16</b> Inorganic microfiber 16 µm <b>P10</b> Resin impregnated paper 10 µm <b>A25</b> Inorganic microfiber 25 µm <b>P25</b> Resin impregnated paper 25 µm							
<b>Element Δp</b>	Filter media							
	<b>Axx</b>	<b>Mxx</b>	<b>Pxx</b>					
<b>N</b> 10 bar		•	•					
<b>H</b> 10 bar	•							
<b>W</b> 10 bar, compatible with fluids HFA, HFB and HFC	•	•						
	<b>Bypass valve</b>		<b>Execution</b>					
	<b>E</b> 3 bar		<b>P01</b> MP Filtri standard					
	<b>B</b> 1.75 bar		<b>Pxx</b> Customized					

### FILTER ELEMENT

<b>Element series and size</b>	Configuration example 1: <b>MFX100</b>   <b>2</b>   <b>A06</b>   <b>W</b>   <b>B</b>   <b></b>   <b>P01</b>							
<b>MFX100</b> Filter element with private spigot	Configuration example 2: <b>MFX100</b>   <b>4</b>   <b>P10</b>   <b>N</b>   <b>B</b>   <b>E</b>   <b>P01</b>							
<b>Element length</b>	1   2   3   4							
<b>Filtration rating (filter media)</b>	<b>A03</b> Inorganic microfiber 3 µm <b>M25</b> Wire mesh 25 µm <b>A06</b> Inorganic microfiber 6 µm <b>M60</b> Wire mesh 60 µm <b>A10</b> Inorganic microfiber 10 µm <b>M90</b> Wire mesh 90 µm <b>A16</b> Inorganic microfiber 16 µm <b>P10</b> Resin impregnated paper 10 µm <b>A25</b> Inorganic microfiber 25 µm <b>P25</b> Resin impregnated paper 25 µm							
<b>Element Δp</b>	Filter media							
	<b>Axx</b>	<b>Mxx</b>	<b>Pxx</b>					
<b>N</b> 10 bar		•	•					
<b>H</b> 10 bar	•							
<b>W</b> 10 bar, compatible with fluids HFA, HFB and HFC	•	•						
	<b>Seals</b>		<b>Bypass valve</b>		<b>Execution</b>			
	<b>B</b> NBR		<b>E</b> 3 bar		<b>P01</b> MP Filtri standard			
	<b>V</b> FPM		<b></b> 1.75 bar		<b>Pxx</b> Customized			

### ACCESSORIES

<b>Indicators</b>	page			page
<b>BVA</b> Axial pressure gauge	240	<b>BEA</b> Electrical pressure indicator		239
<b>BVR</b> Radial pressure gauge	240	<b>BEM</b> Electrical pressure indicator		239
<b>BVP</b> Visual pressure indicator with automatic reset	241	<b>BLA</b> Electrical / visual pressure indicator		239-240
<b>BVQ</b> Visual pressure indicator with manual reset	241			
<b>Additional features</b>	page			page
<b>TE</b> Extension tube	248	<b>T5</b> Filler plug M30x1.5		249
<b>DFS</b> Diffuser with fast lock connection	249	<b>DPT</b> Dipstick		249



## Designation & Ordering code

### COMPLETE FILTER

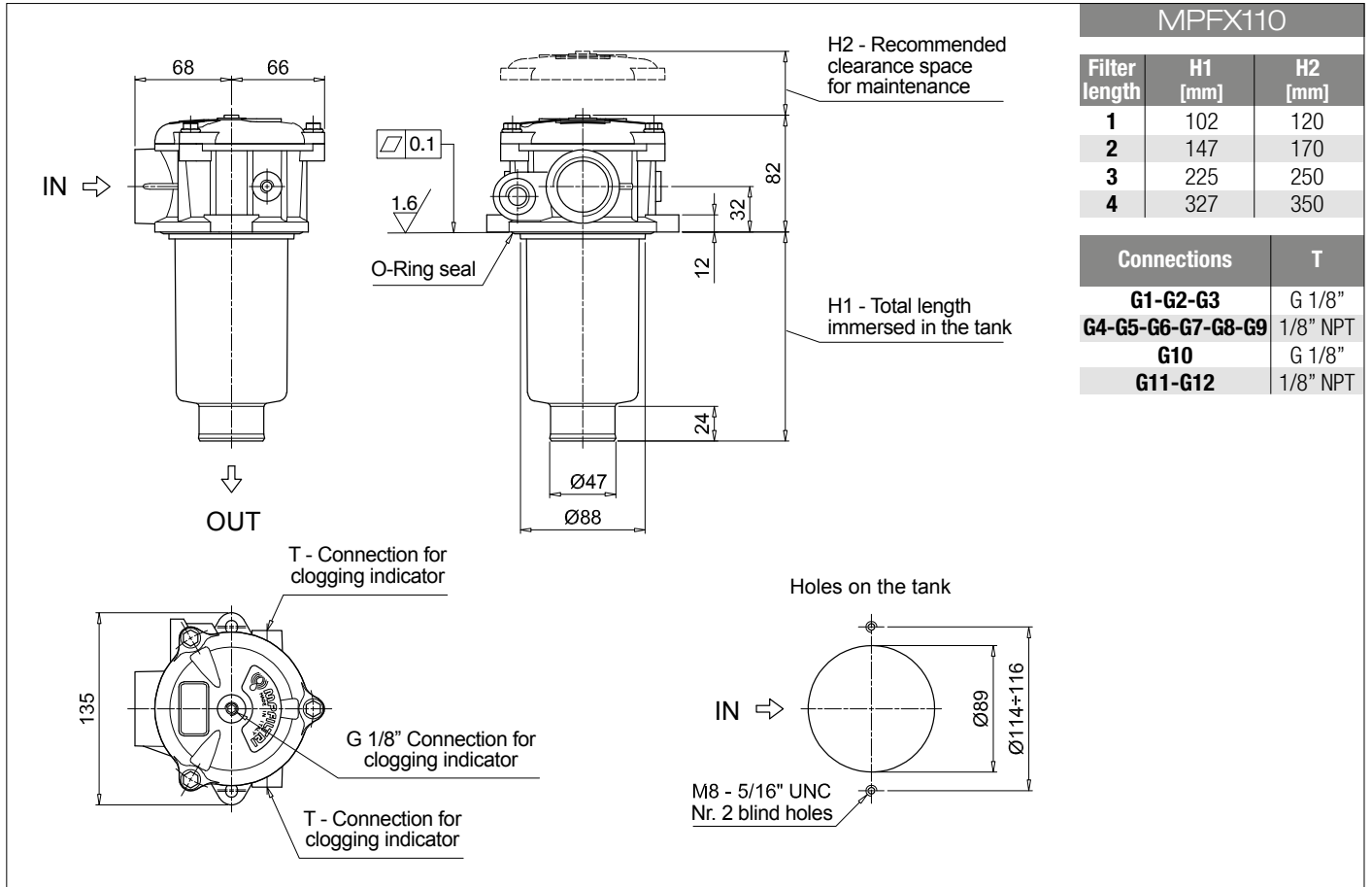
<b>Series and size</b>			Configuration example 1: <b>MPFX110</b>   <b>3</b>   <b>Z</b>   <b>G4</b>   <b>2</b>   <b>M25</b>   <b>W</b>   <b>B</b>   <b>P01</b>								
<b>MPFX110</b> Filter element with private spigot			Configuration example 2: <b>MPFX110</b>   <b>4</b>   <b>A</b>   <b>G8</b>   <b>1</b>   <b>P10</b>   <b>N</b>   <b>E</b>   <b>P01</b>								
<b>Length</b>											
1   2   3   4											
<b>Seals and treatments</b>											
A NBR			W NBR head anodized								
V FPM			Z FPM head anodized								
<b>Main Connections</b>	<b>Aux size 1</b>	<b>Aux size 2</b>	<b>Main Connections</b>	<b>Aux size 1</b>		<b>Aux size 2</b>					
G1 G 1/2"	G 3/8"	G 1/2"	G7 SAE 8 - 3/4" - 16 UNF	SAE 6 - 9/16" - 18 UNF		SAE 8 - 3/4" - 16 UNF					
G2 G 3/4"			G8 SAE 12 - 1 1/16" - 12 UN								
G3 G 1"	3/8" NPT	1/2" NPT	G9 SAE 16 - 1 5/16" - 12 UN	G 3/8"		G 1/2"					
G4 1/2" NPT			G10 G 1 1/4"	3/8" NPT		1/2" NPT					
G5 3/4" NPT			G11 1 1/4" NPT	SAE 6 - 9/16" - 18 UNF		SAE 8 - 3/4" - 16 UNF					
G6 1" NPT			G12 SAE 20 - 1 5/8" - 12 UN								
<b>Aux connection - see previous table</b>											
1 Aux size 1			2 Aux size 2								
<b>Filtration rating (filter media)</b>											
A03 Inorganic microfiber 3 µm			M25 Wire mesh 25 µm								
A06 Inorganic microfiber 6 µm			M60 Wire mesh 60 µm								
A10 Inorganic microfiber 10 µm			M90 Wire mesh 90 µm								
A16 Inorganic microfiber 16 µm			P10 Resin impregnated paper 10 µm								
A25 Inorganic microfiber 25 µm			P25 Resin impregnated paper 25 µm								
<b>Element Δp</b>			<b>Filter media</b>								
N 10 bar			Axx   Mxx   Pxx								
H 10 bar			• •								
W 10 bar, compatible with fluids HFA, HFB and HFC			• •								
			<b>Bypass valve</b>			<b>Execution</b>					
			E 3 bar			P01 MP Filtri standard					
			B 1.75 bar			Pxx Customized					

### FILTER ELEMENT

<b>Element series and size</b>			Configuration example 1: <b>MFX100</b>   <b>3</b>   <b>M25</b>   <b>W</b>   <b>V</b>   <b></b>   <b>P01</b>								
<b>MFX100</b> Filter element with private spigot			Configuration example 2: <b>MFX100</b>   <b>4</b>   <b>P10</b>   <b>N</b>   <b>B</b>   <b>E</b>   <b>P01</b>								
<b>Element length</b>											
1   2   3   4											
<b>Filtration rating (filter media)</b>											
A03 Inorganic microfiber 3 µm			M25 Wire mesh 25 µm								
A06 Inorganic microfiber 6 µm			M60 Wire mesh 60 µm								
A10 Inorganic microfiber 10 µm			M90 Wire mesh 90 µm								
A16 Inorganic microfiber 16 µm			P10 Resin impregnated paper 10 µm								
A25 Inorganic microfiber 25 µm			P25 Resin impregnated paper 25 µm								
<b>Element Δp</b>			<b>Filter media</b>								
N 10 bar			Axx   Mxx   Pxx								
H 10 bar			• •								
W 10 bar, compatible with fluids HFA, HFB and HFC			• •								
			<b>Seals</b>			<b>Bypass valve</b>			<b>Execution</b>		
			B NBR			E 3 bar			P01 MP Filtri standard		
			V FPM			1.75 bar			Pxx Customized		

### ACCESSORIES

<b>Indicators</b>				<b>page</b>			
<b>BVA</b> Axial pressure gauge	240	<b>BEA</b> Electrical pressure indicator	239			<b>page</b>	
<b>BVR</b> Radial pressure gauge	240	<b>BEM</b> Electrical pressure indicator	239				
<b>BVP</b> Visual pressure indicator with automatic reset	241	<b>BLA</b> Electrical / visual pressure indicator	239-240				
<b>BVQ</b> Visual pressure indicator with manual reset	241						
<b>Additional features</b>				<b>page</b>			
<b>TE</b> Extension tube	248	<b>T5</b> Filler plug M30x1.5	249			<b>page</b>	
<b>DFS</b> Diffuser with fast lock connection	249	<b>DPT</b> Dipstick	249				



MPFX110		
Filter length	H1 [mm]	H2 [mm]
1	102	120
2	147	170
3	225	250
4	327	350

Connections	T
<b>G1-G2-G3</b>	G 1/8"
<b>G4-G5-G6-G7-G8-G9</b>	1/8" NPT
<b>G10</b>	G 1/8"
<b>G11-G12</b>	1/8" NPT

# MPFX MPFX181 - MPFX191

## Designation & Ordering code

### COMPLETE FILTER

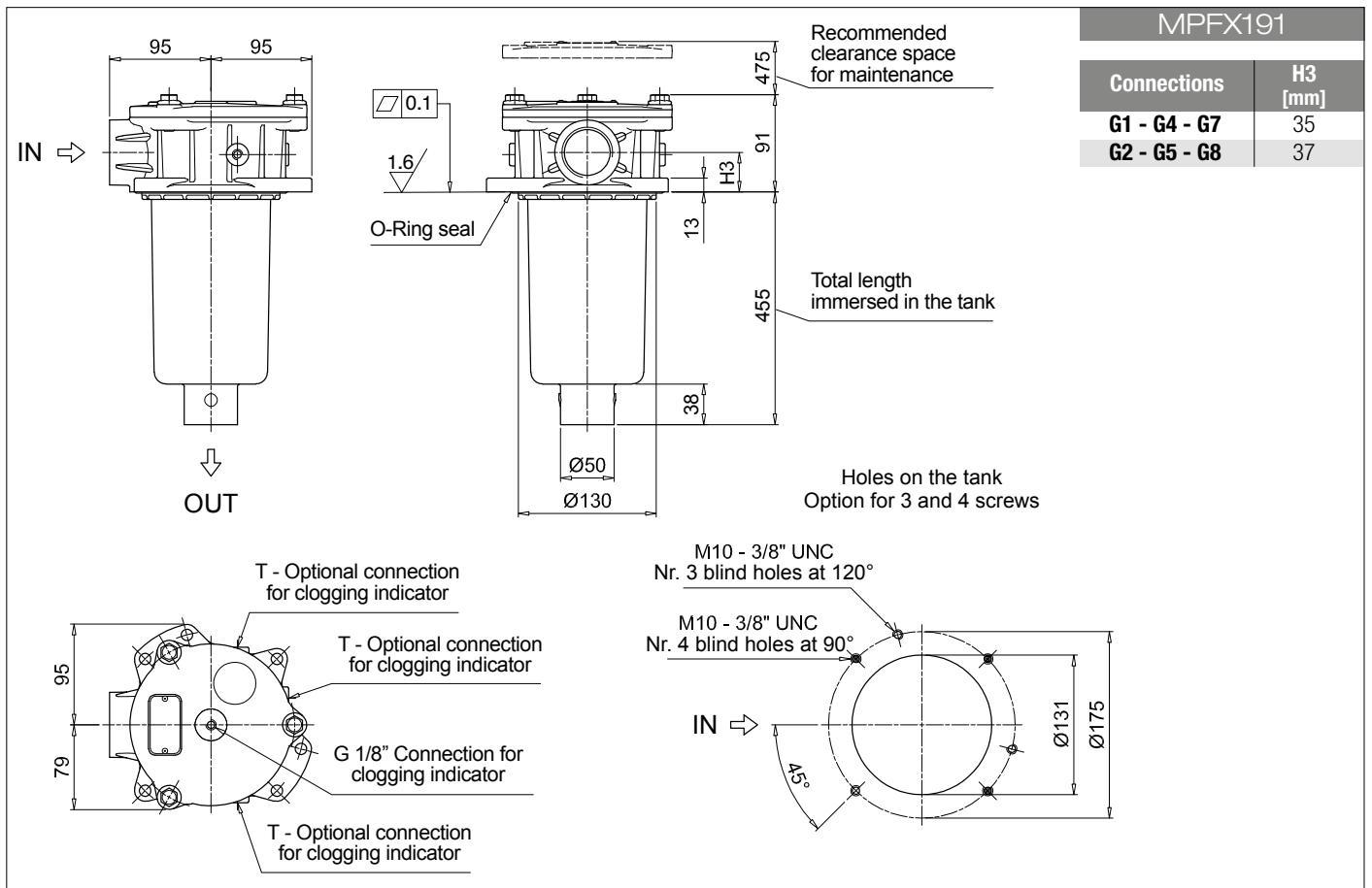
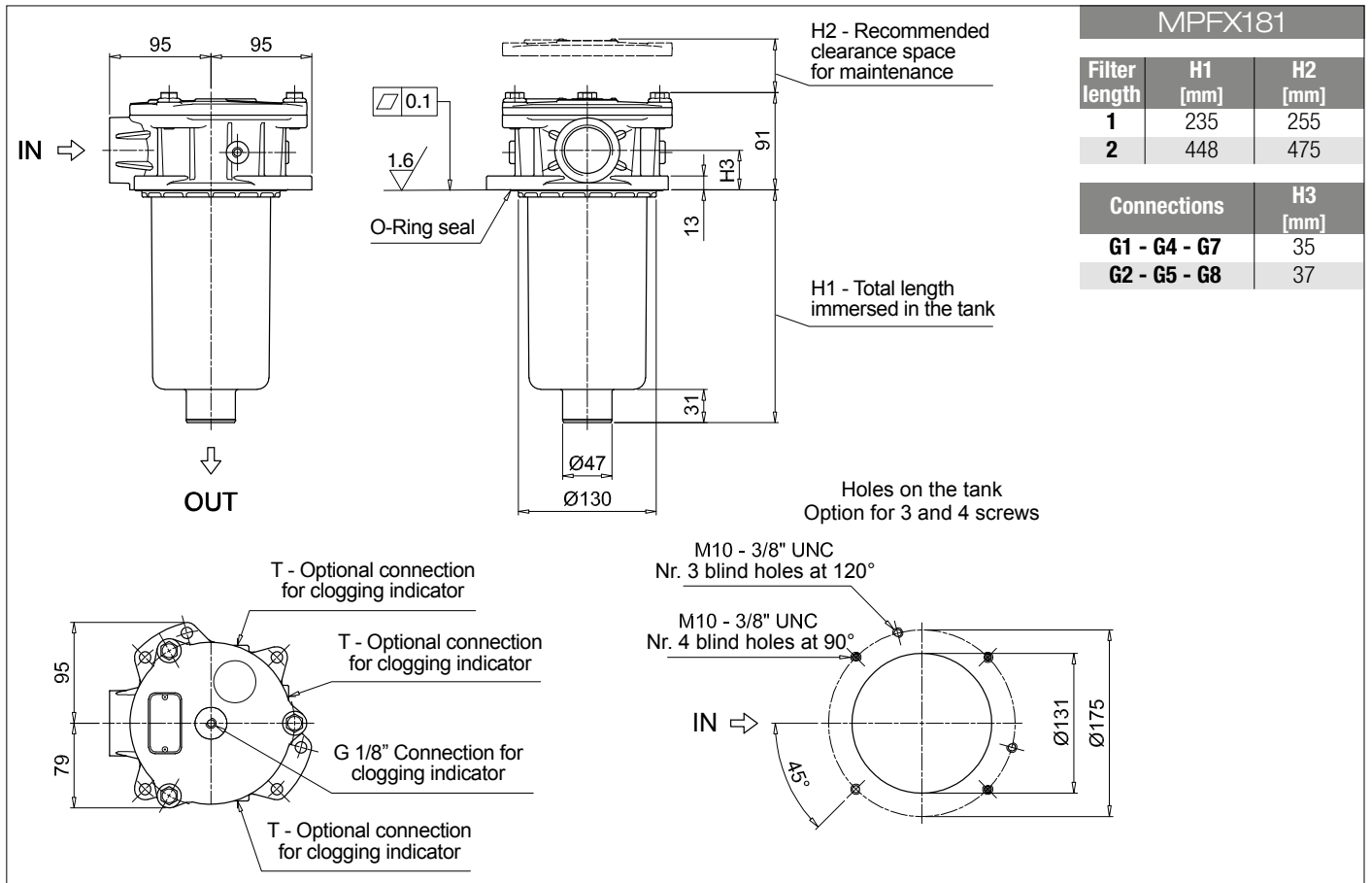
<b>Series and size</b>		Configuration example 1: <b>MPFX181</b>   1   A   G1   A25   H   E   P01								
<b>MPFX181</b>   <b>MPFX191</b> Filter element with private spigot		Configuration example 2: <b>MPFX191</b>   2   V   G2   P10   N   B   P01								
<b>Length</b>		Size 181	Size 191							
1		•								
2		•	•							
<b>Seals and treatments</b>										
<b>A</b> NBR	<b>B</b> NBR flat seal on head									
<b>V</b> FPM	<b>D</b> FPM flat seal on head									
<b>W</b> NBR head anodized	<b>L</b> NBR head anodized, flat seal on head									
<b>Z</b> FPM head anodized	<b>M</b> FPM head anodized, flat seal on head									
<b>Connections</b>										
<b>G1</b> G 1 1/4"	<b>G5</b> 1 1/2" NPT									
<b>G2</b> G 1 1/2"	<b>G7</b> SAE 20 - 1 5/8" - 12 UN									
<b>G4</b> 1 1/4" NPT	<b>G8</b> SAE 24 - 1 7/8" - 12 UN									
<b>Filtration rating (filter media)</b>										
<b>A03</b> Inorganic microfiber 3 µm	<b>M25</b> Wire mesh 25 µm									
<b>A06</b> Inorganic microfiber 6 µm	<b>M60</b> Wire mesh 60 µm									
<b>A10</b> Inorganic microfiber 10 µm	<b>M90</b> Wire mesh 90 µm									
<b>A16</b> Inorganic microfiber 16 µm	<b>P10</b> Resin impregnated paper 10 µm									
<b>A25</b> Inorganic microfiber 25 µm	<b>P25</b> Resin impregnated paper 25 µm									
<b>Element Δp</b>		Filter media								
		Axx	Mxx	Pxx						
<b>N</b> 10 bar			•	•						
<b>H</b> 10 bar		•								
<b>W</b> 10 bar, compatible with fluids HFA, HFB and HFC		•	•							
					<b>Bypass valve</b>		<b>Execution</b>			
					<b>E</b> 3 bar		<b>P01</b> MP Filtri standard			
					<b>B</b> 1.75 bar		<b>Pxx</b> Customized			

### FILTER ELEMENT

<b>Element series and size</b>		Configuration example 1: <b>MFX180</b>   1   A25   H   B   E   P01								
<b>MFX180</b> Filter element with private spigot		Configuration example 2: <b>MFX180</b>   2   P10   N   V     P01								
<b>Element length</b>										
1										
2										
<b>Filtration rating (filter media)</b>										
<b>A03</b> Inorganic microfiber 3 µm	<b>M25</b> Wire mesh 25 µm									
<b>A06</b> Inorganic microfiber 6 µm	<b>M60</b> Wire mesh 60 µm									
<b>A10</b> Inorganic microfiber 10 µm	<b>M90</b> Wire mesh 90 µm									
<b>A16</b> Inorganic microfiber 16 µm	<b>P10</b> Resin impregnated paper 10 µm									
<b>A25</b> Inorganic microfiber 25 µm	<b>P25</b> Resin impregnated paper 25 µm									
<b>Element Δp</b>		Filter media								
		Axx	Mxx	Pxx						
<b>N</b> 10 bar			•	•						
<b>H</b> 10 bar		•								
<b>W</b> 10 bar, compatible with fluids HFA, HFB and HFC		•	•							
		<b>Seals</b>		<b>Bypass valve</b>		<b>Execution</b>				
		<b>B</b> NBR		<b>E</b> 3 bar		<b>P01</b> MP Filtri standard				
		<b>V</b> FPM		<b>B</b> 1.75 bar		<b>Pxx</b> Customized				

### ACCESSORIES

Indicators	page		page
<b>BVA</b> Axial pressure gauge	240	<b>BEA</b> Electrical pressure indicator	239
<b>BVR</b> Radial pressure gauge	240	<b>BEM</b> Electrical pressure indicator	239
<b>BVP</b> Visual pressure indicator with automatic reset	241	<b>BLA</b> Electrical / visual pressure indicator	239-240
<b>BVQ</b> Visual pressure indicator with manual reset	241		
<b>Additional features</b>			
<b>TE</b> Extension tube	248		
<b>T5</b> Filler plug M30x1.5	249		



# MPFX MPFX182 - MPFX192

## Designation & Ordering code

### COMPLETE FILTER

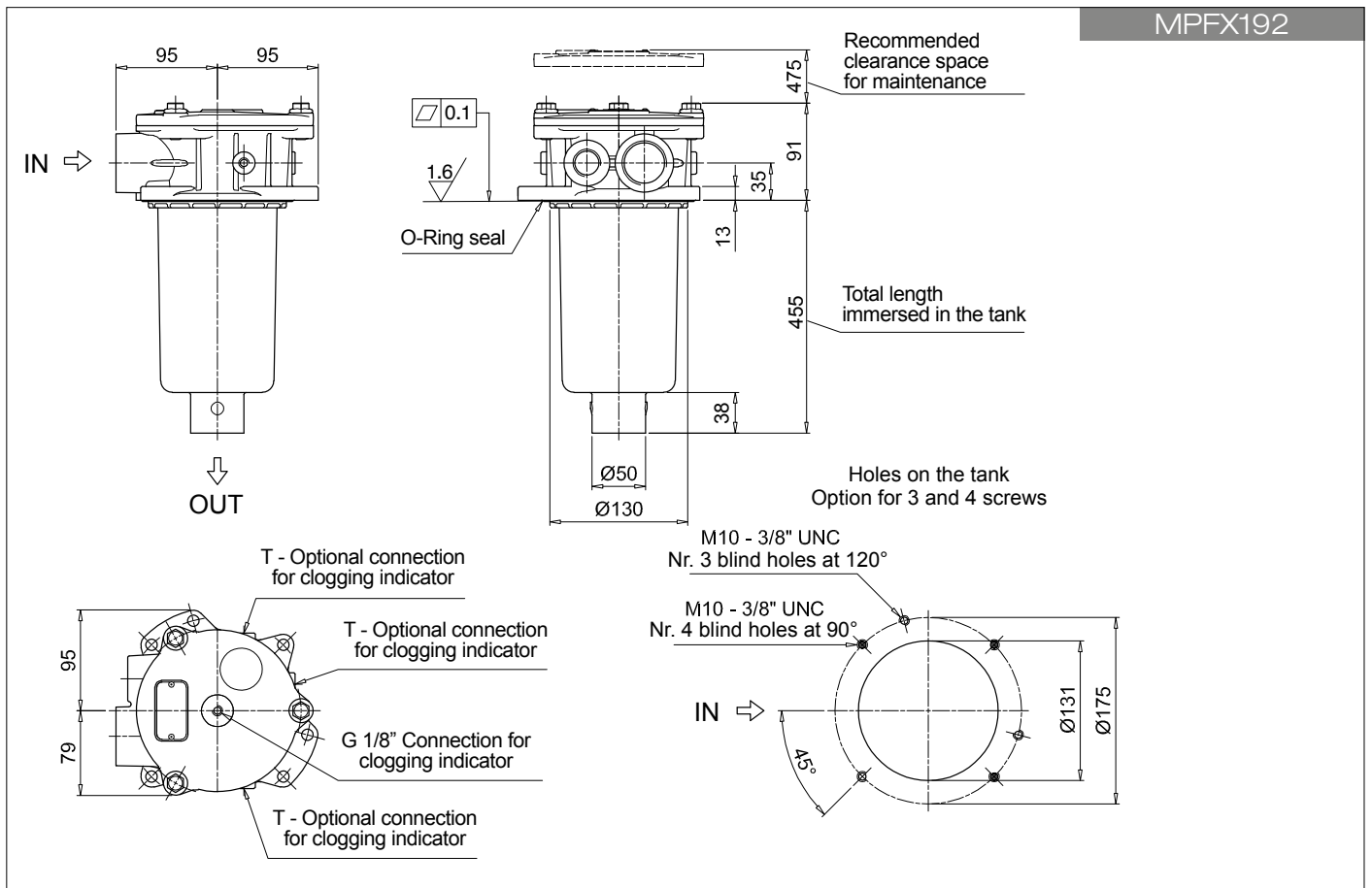
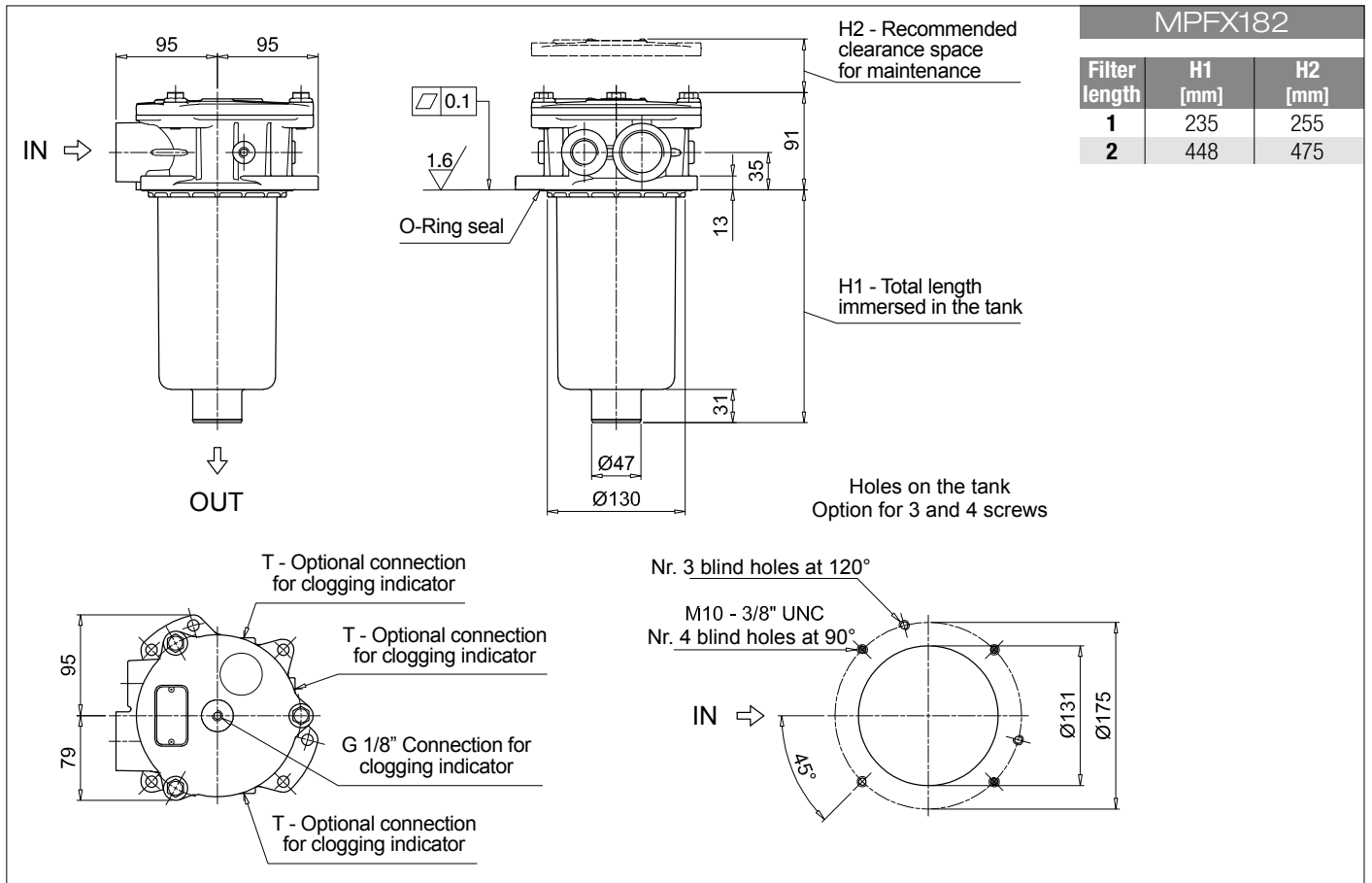
<b>Series and size</b>			Configuration example 1: <b>MPFX182</b>   1   A   G1   1   A25   H   E   P01									
<b>MPFX182   MPFX192</b> Filter element with private spigot			Configuration example 2: <b>MPFX192</b>   2   V   G4   2   P10   N   B   P01									
<b>Length</b>		Size 182	Size 192									
1		•										
2		•	•									
<b>Seals and treatments</b>												
<b>A</b> NBR	<b>B</b> NBR flat seal on head											
<b>V</b> FPM	<b>D</b> FPM flat seal on head											
<b>W</b> NBR head anodized	<b>L</b> NBR head anodized, flat seal on head											
<b>Z</b> FPM head anodized	<b>M</b> FPM head anodized, flat seal on head											
<b>Main Connections</b>		Aux size 1	Aux size 2									
<b>G1</b> G 1 1/4"		G 1/2"	G 3/4"									
<b>G4</b> 1 1/4" NPT		1/2" NPT	3/4" NPT									
<b>G7</b> SAE 20 - 1 5/8" - 12 UN		SAE 8 - 3/16" - 16 UNF	SAE 12 - 1 1/16" - 12 UN									
<b>Aux connection</b> - see previous table												
1 Aux size 1		2 Aux size 2										
<b>Filtration rating (filter media)</b>												
<b>A03</b> Inorganic microfiber 3 µm		<b>M25</b> Wire mesh 25 µm										
<b>A06</b> Inorganic microfiber 6 µm		<b>M60</b> Wire mesh 60 µm										
<b>A10</b> Inorganic microfiber 10 µm		<b>M90</b> Wire mesh 90 µm										
<b>A16</b> Inorganic microfiber 16 µm		<b>P10</b> Resin impregnated paper 10 µm										
<b>A25</b> Inorganic microfiber 25 µm		<b>P25</b> Resin impregnated paper 25 µm										
Filter media												
<b>Element Δp</b>		Axx	Mxx	Pxx								
<b>N</b> 10 bar			•	•								
<b>H</b> 10 bar			•									
<b>W</b> 10 bar, compatible with fluids HFA, HFB and HFC		•	•									
				<b>Bypass valve</b>		<b>Execution</b>						
				<b>E</b> 3 bar		<b>P01</b> MP Filtri standard						
				<b>B</b> 1.75 bar		<b>Pxx</b> Customized						

### FILTER ELEMENT

<b>Element series and size</b>			Configuration example 1: <b>MFX180</b>   1   A25   H   B   E   P01									
<b>MFX180</b> Filter element with private spigot			Configuration example 2: <b>MFX180</b>   2   P10   N   V     P01									
<b>Element length</b>												
1												
2												
<b>Filtration rating (filter media)</b>												
<b>A03</b> Inorganic microfiber 3 µm		<b>M25</b> Wire mesh 25 µm										
<b>A06</b> Inorganic microfiber 6 µm		<b>M60</b> Wire mesh 60 µm										
<b>A10</b> Inorganic microfiber 10 µm		<b>M90</b> Wire mesh 90 µm										
<b>A16</b> Inorganic microfiber 16 µm		<b>P10</b> Resin impregnated paper 10 µm										
<b>A25</b> Inorganic microfiber 25 µm		<b>P25</b> Resin impregnated paper 25 µm										
Filter media												
<b>Element Δp</b>		Axx	Mxx	Pxx								
<b>N</b> 10 bar			•	•								
<b>H</b> 10 bar			•									
<b>W</b> 10 bar, compatible with fluids HFA, HFB and HFC		•	•									
			<b>Seals</b>		<b>Bypass valve</b>		<b>Execution</b>					
			<b>B</b> NBR		<b>E</b> 3 bar		<b>P01</b> MP Filtri standard					
			<b>V</b> FPM		1.75 bar		<b>Pxx</b> Customized					

### ACCESSORIES

<b>Indicators</b>				<b>page</b>			
<b>BVA</b> Axial pressure gauge		240		<b>BEA</b> Electrical pressure indicator		239	
<b>BVR</b> Radial pressure gauge		240		<b>BEM</b> Electrical pressure indicator		239	
<b>BVP</b> Visual pressure indicator with automatic reset		241		<b>BLA</b> Electrical / visual pressure indicator		239-240	
<b>BVQ</b> Visual pressure indicator with manual reset		241					
<b>Additional features</b>				<b>page</b>			
<b>TE</b> Extension tube		248					
<b>T5</b> Filler plug M30x1.5		249					



# MPFX MPFX184 - MPFX194

## Designation & Ordering code

### COMPLETE FILTER

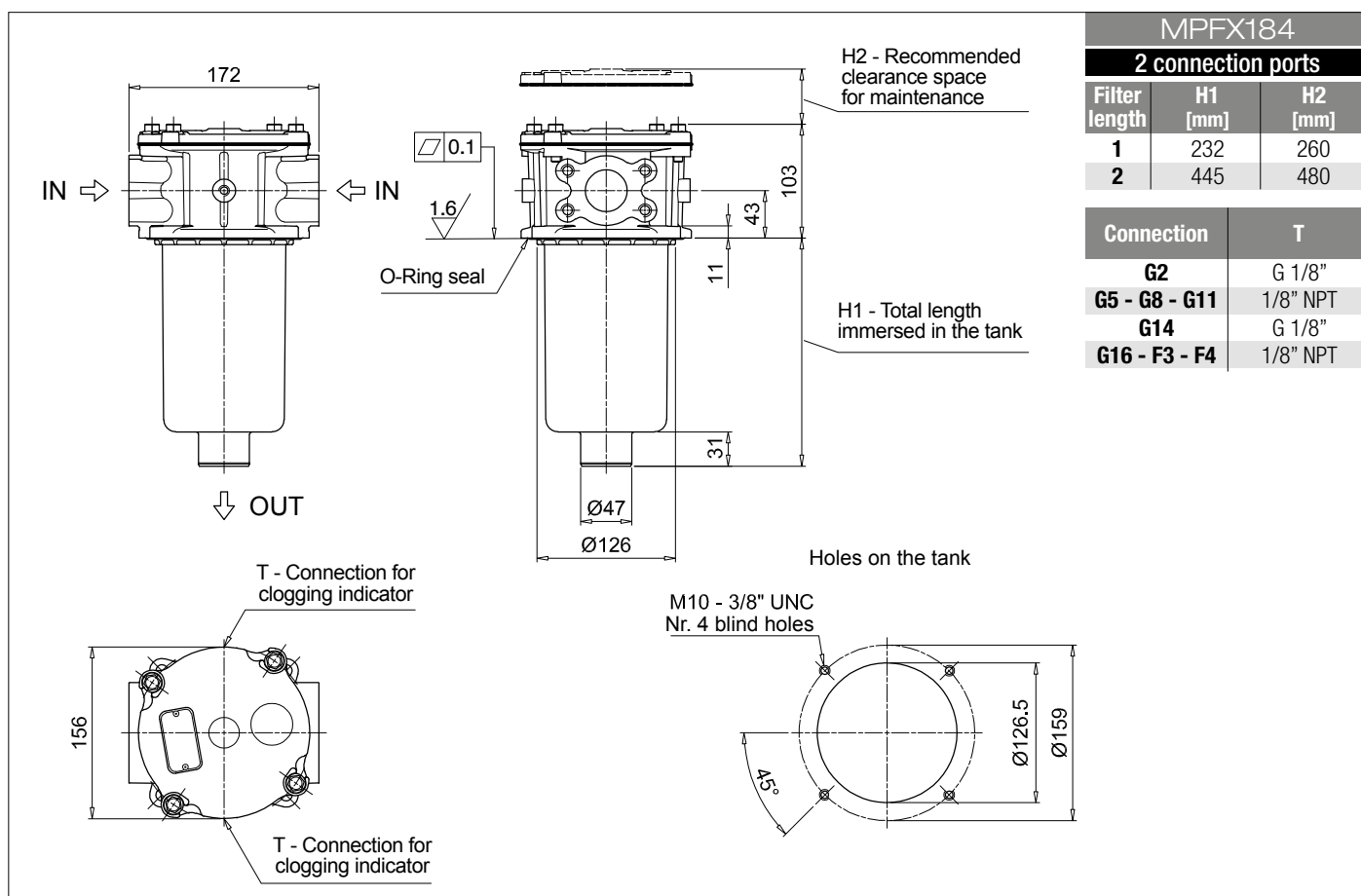
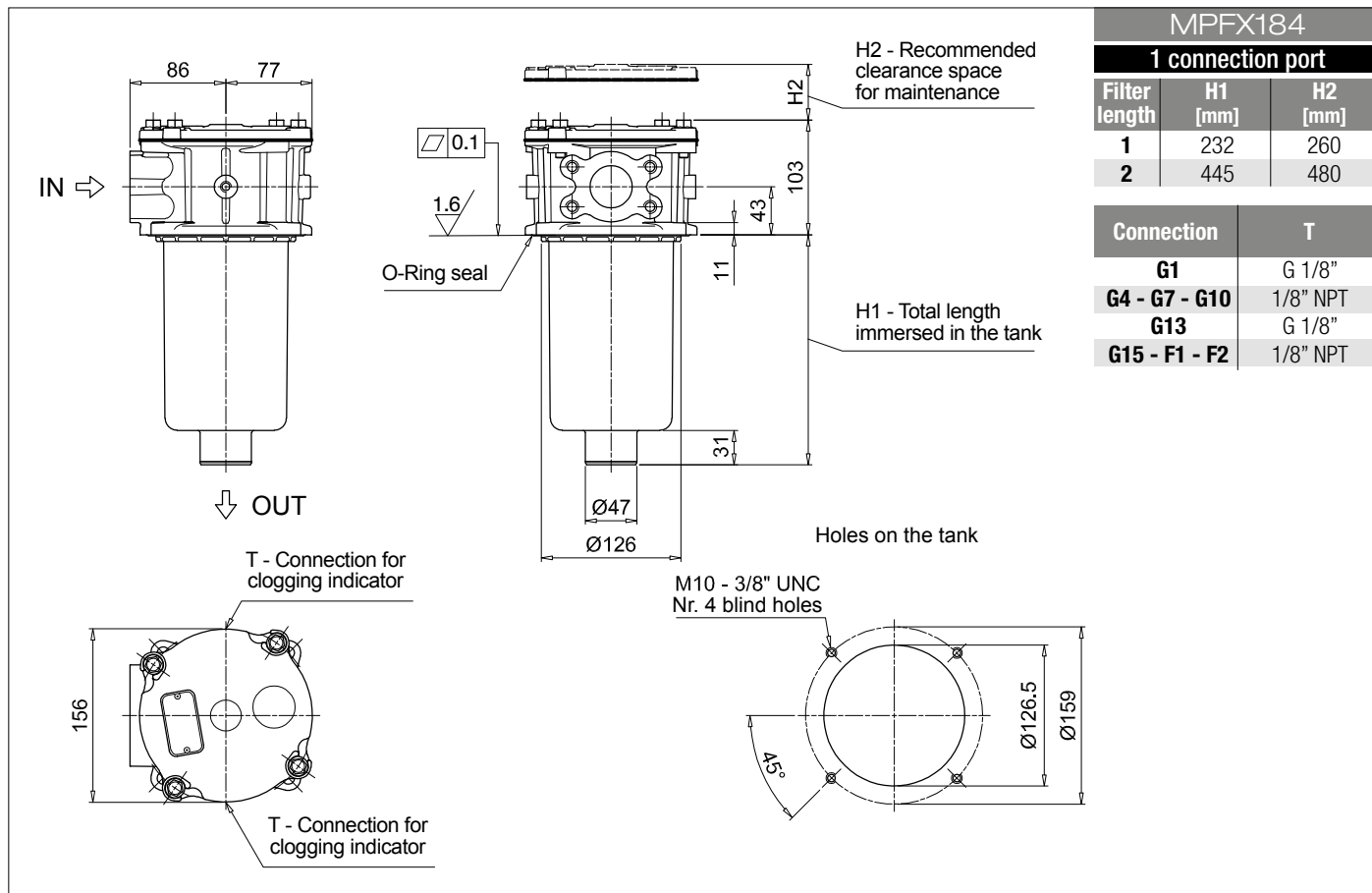
<b>Series and size</b>		Configuration example 1: <b>MPFX184</b>   1   A   G1   A25   H   E   P01									
<b>MPFX184   MPFX194</b> Filter element with private spigot		Configuration example 2: <b>MPFX194</b>   2   V   F3   P10   N   B   P01									
<b>Length</b>		Size 184		Size 194							
1		•									
2		•		•							
<b>Seals and treatments</b>											
A NBR		W NBR		head anodized							
V FPM		Z FPM		head anodized							
<b>Main Connections</b>		<b>Rear connections</b>		<b>Main Connections</b>		<b>Rear connections</b>					
G1 G 1 1/4"		-		G13 G 1 1/2"		-					
G2 G 1 1/4"		G 1 1/4"		G14 G 1 1/2"		G 1 1/4"					
G4 1 1/4" NPT		-		G15 1 1/2" NPT		-					
G5 1 1/4" NPT		1 1/4" NPT		G16 1 1/2" NPT		1 1/4" NPT					
G7 SAE 20 - 1 5/8" - 12 UN		-		F1 1 1/2" SAE 3000 psi/M		-					
G8 SAE 20 - 1 5/8" - 12 UN		SAE 20 - 1 5/8" - 12 UN		F2 1 1/2" SAE 3000 psi/UNC		-					
G10 SAE 24 - 1 7/8" - 12 UN		-		F3 1 1/2" SAE 3000 psi/M		1 1/2" SAE 3000 psi/M					
G11 SAE 24 - 1 7/8" - 12 UN		SAE 20 - 1 5/8" - 12 UN		F4 1 1/2" SAE 3000 psi/UNC		1 1/2" SAE 3000 psi/UNC					
<b>Filtration rating (filter media)</b>											
A03 Inorganic microfiber 3 µm		M25 Wire mesh 25 µm									
A06 Inorganic microfiber 6 µm		M60 Wire mesh 60 µm									
A10 Inorganic microfiber 10 µm		M90 Wire mesh 90 µm									
A16 Inorganic microfiber 16 µm		P10 Resin impregnated paper 10 µm									
A25 Inorganic microfiber 25 µm		P25 Resin impregnated paper 25 µm									
<b>Element Δp</b>				<b>Filter media</b>							
N 10 bar				Axx		Mxx		Pxx			
H 10 bar				•		•		•			
W 10 bar, compatible with fluids HFA, HFB and HFC				•		•		•			
								<b>Bypass valve</b>		<b>Execution</b>	
								E 3 bar		P01 MP Filtri standard	
								B 1.75 bar		Pxx Customized	

### FILTER ELEMENT

<b>Element series and size</b>		Configuration example 1: <b>MPFX180</b>   1   A25   H   B   E   P01									
<b>MPFX180</b> Filter element with private spigot		Configuration example 2: <b>MPFX180</b>   2   P10   N   V       P01									
<b>Element length</b>		Size 184		Size 194							
1		•									
2		•		•							
<b>Filtration rating (filter media)</b>											
A03 Inorganic microfiber 3 µm		M25 Wire mesh 25 µm									
A06 Inorganic microfiber 6 µm		M60 Wire mesh 60 µm									
A10 Inorganic microfiber 10 µm		M90 Wire mesh 90 µm									
A16 Inorganic microfiber 16 µm		P10 Resin impregnated paper 10 µm									
A25 Inorganic microfiber 25 µm		P25 Resin impregnated paper 25 µm									
<b>Element Δp</b>				<b>Filter media</b>							
N 10 bar				Axx		Mxx		Pxx			
H 10 bar				•		•		•			
W 10 bar, compatible with fluids HFA, HFB and HFC				•		•		•			
								<b>Seals</b>		<b>Bypass valve</b>	
								B NBR		E 3 bar	
								V FPM		1.75 bar	
										<b>Execution</b>	
										P01 MP Filtri standard	
										Pxx Customized	

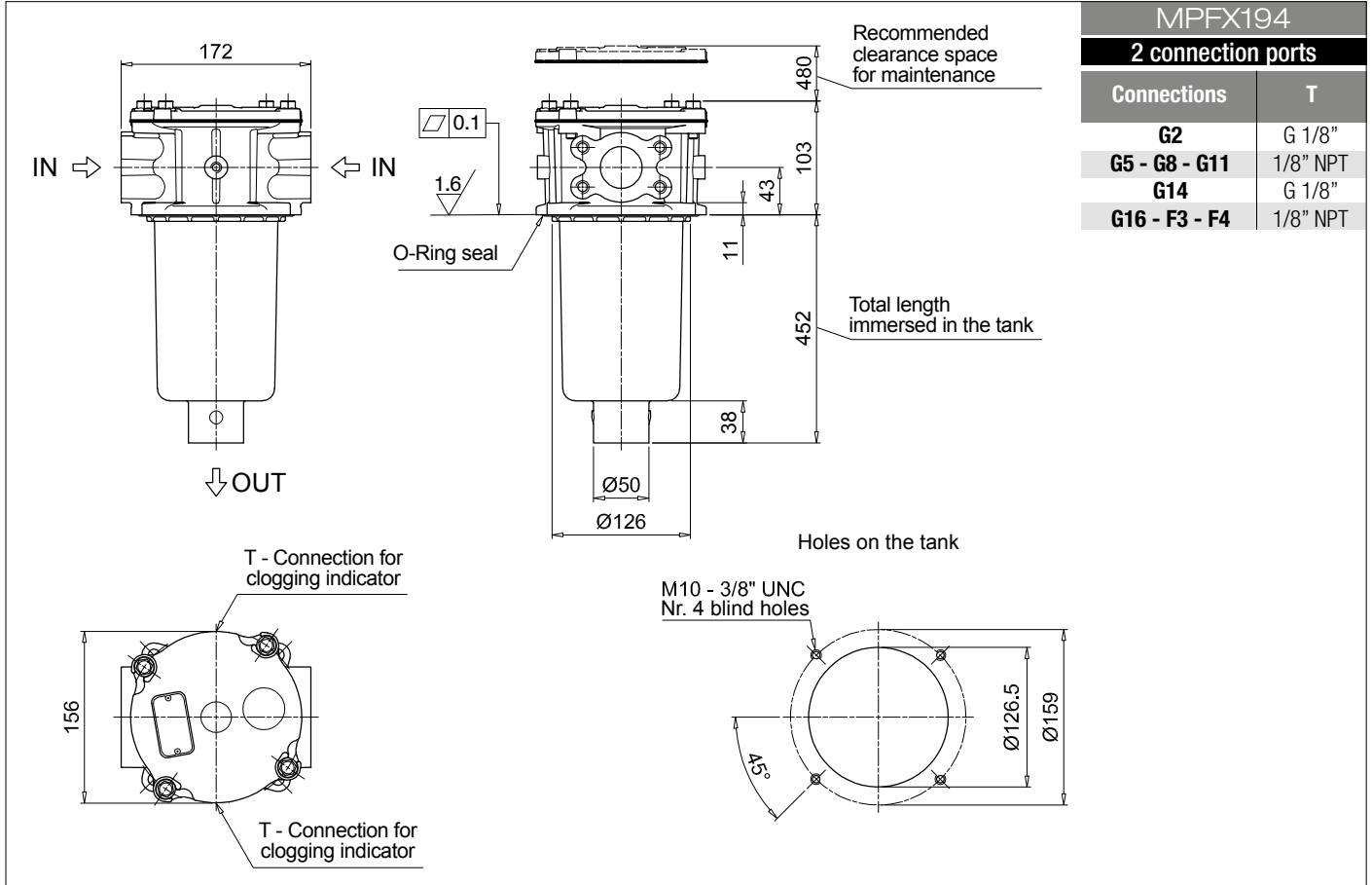
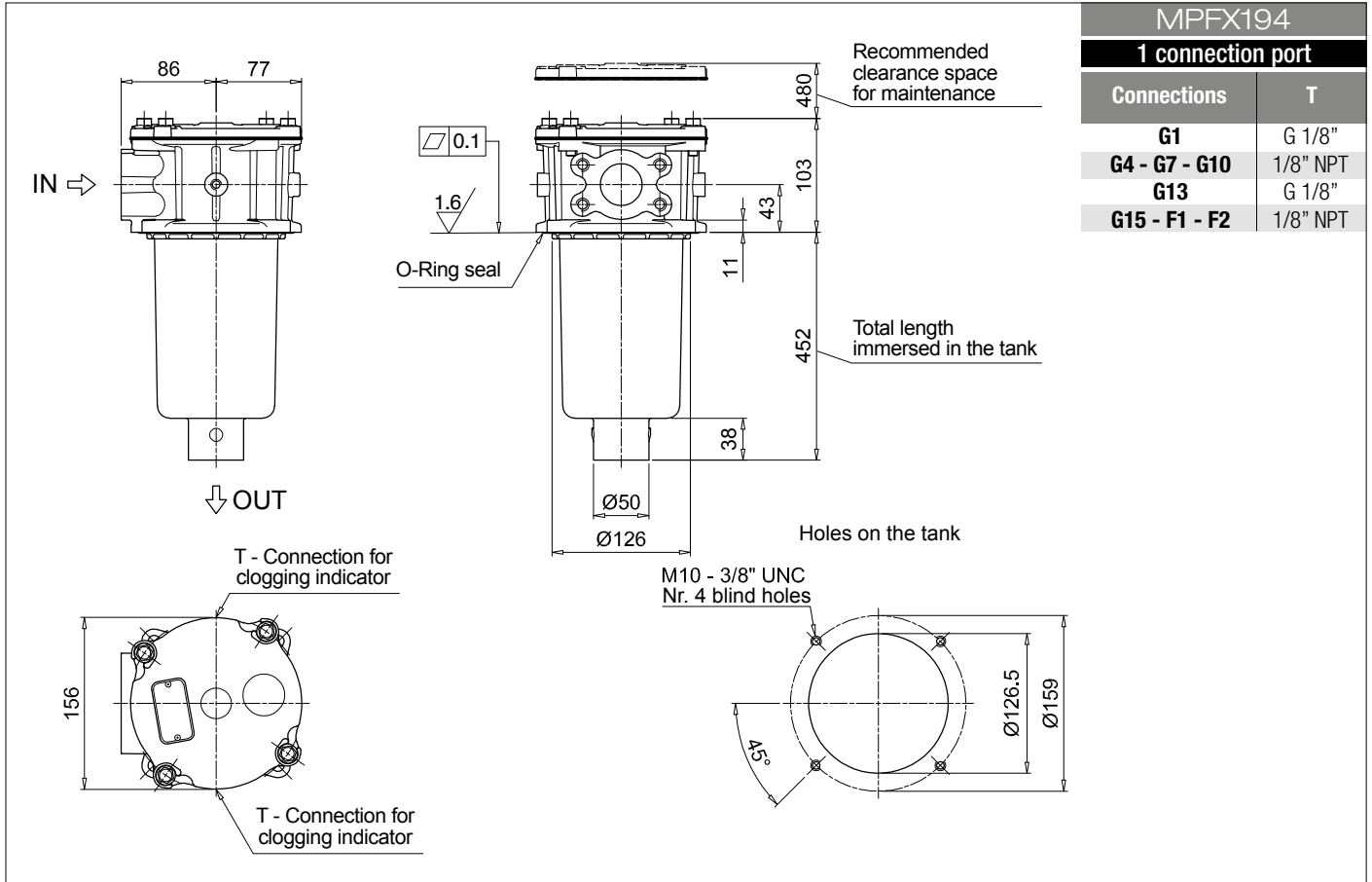
### ACCESSORIES

<b>Indicators</b>		page								page	
BVA Axial pressure gauge		240		BEA Electrical pressure indicator						239	
BVR Radial pressure gauge		240		BEM Electrical pressure indicator						239	
BVP Visual pressure indicator with automatic reset		241		BLA Electrical / visual pressure indicator						239-240	
BVQ Visual pressure indicator with manual reset		241									
<b>Additional features</b>		page									
TE Extension tube		248									
T5 Filler plug M30x1.5		249									



# MPFX MPFX184 - MPFX194

## Dimensions



## Designation & Ordering code

### COMPLETE FILTER

<b>Series and size</b> <b>MPFX400</b> Filter element with private spigot	Configuration example 1: <b>MPFX400</b>   <b>1</b>   <b>A</b>   <b>G9</b>   <b>A25</b>   <b>H</b>   <b>B</b>   <b>P01</b>
	Configuration example 2: <b>MPFX400</b>   <b>2</b>   <b>V</b>   <b>G4</b>   <b>P10</b>   <b>N</b>   <b>E</b>   <b>P01</b>
<b>Length</b> <b>1</b>   <b>2</b>   <b>3</b>	
<b>Seals and treatments</b> <b>A</b> NBR <b>V</b> FPM <b>W</b> NBR head anodized <b>Z</b> FPM head anodized	
<b>Connections</b> <b>G1</b> G 1 1/4"   <b>G6</b> 2" NPT <b>G2</b> G 1 1/2"   <b>G7</b> SAE 20 - 1 5/8" - 12 UN <b>G3</b> G 2"   <b>G8</b> SAE 24 - 1 7/8" - 12 UN <b>G4</b> 1 1/4" NPT   <b>G9</b> SAE 32 - 2 1/2" - 12 UN <b>G5</b> 1 1/2" NPT	
<b>Filtration rating (filter media)</b> <b>A03</b> Inorganic microfiber 3 µm   <b>M25</b> Wire mesh 25 µm <b>A06</b> Inorganic microfiber 6 µm   <b>M60</b> Wire mesh 60 µm <b>A10</b> Inorganic microfiber 10 µm   <b>M90</b> Wire mesh 90 µm <b>A16</b> Inorganic microfiber 16 µm   <b>P10</b> Resin impregnated paper 10 µm <b>A25</b> Inorganic microfiber 25 µm   <b>P25</b> Resin impregnated paper 25 µm	
<b>Element Δp</b> <b>N</b> 10 bar <b>H</b> 10 bar <b>W</b> 10 bar, compatible with fluids HFA, HFB and HFC	<b>Filter media</b> Axx   Mxx   Pxx • • • • • •
	<b>Bypass valve</b> <b>E</b> 3 bar <b>B</b> 1.75 bar
	<b>Execution</b> <b>P01</b> MP Filtri standard <b>Pxx</b> Customized

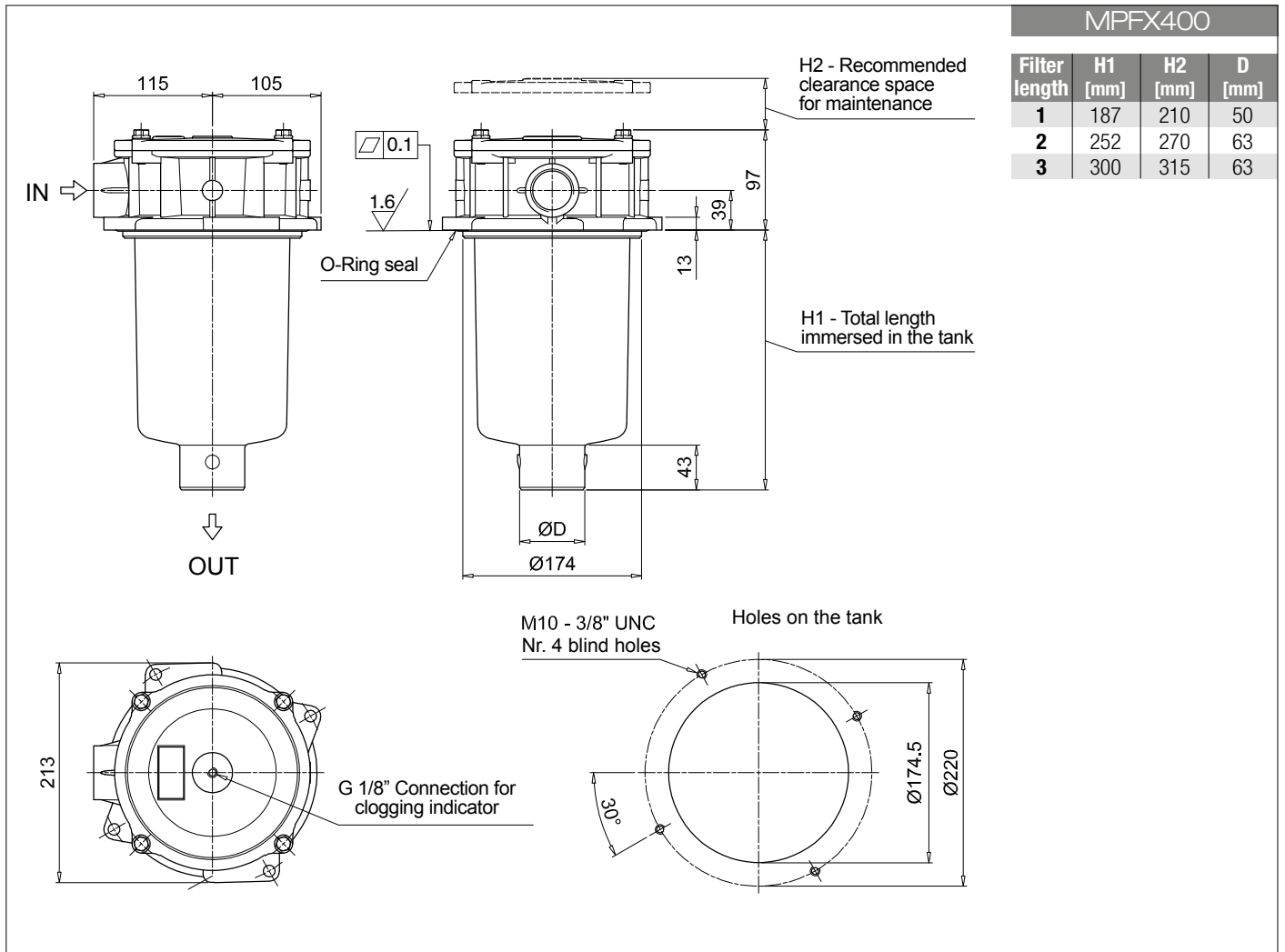
### FILTER ELEMENT

<b>Element series and size</b> <b>MFX400</b> Filter element with private spigot	Configuration example 1: <b>MFX400</b>   <b>1</b>   <b>A25</b>   <b>H</b>   <b>B</b>   <b>P01</b>
	Configuration example 2: <b>MFX400</b>   <b>2</b>   <b>P10</b>   <b>N</b>   <b>V</b>   <b>E</b>   <b>P01</b>
<b>Element length</b> <b>1</b>   <b>2</b>   <b>3</b>	
<b>Filtration rating (filter media)</b> <b>A03</b> Inorganic microfiber 3 µm   <b>M25</b> Wire mesh 25 µm <b>A06</b> Inorganic microfiber 6 µm   <b>M60</b> Wire mesh 60 µm <b>A10</b> Inorganic microfiber 10 µm   <b>M90</b> Wire mesh 90 µm <b>A16</b> Inorganic microfiber 16 µm   <b>P10</b> Resin impregnated paper 10 µm <b>A25</b> Inorganic microfiber 25 µm   <b>P25</b> Resin impregnated paper 25 µm	
<b>Element Δp</b> <b>N</b> 10 bar <b>H</b> 10 bar <b>W</b> 10 bar, compatible with fluids HFA, HFB and HFC	<b>Filter media</b> Axx   Mxx   Pxx • • • • • •
	<b>Seals</b> <b>B</b> NBR <b>V</b> FPM
	<b>Bypass valve</b> <b>E</b> 3 bar <b>B</b> 1.75 bar
	<b>Execution</b> <b>P01</b> MP Filtri standard <b>Pxx</b> Customized

### ACCESSORIES

<b>Indicators</b>	page		page
<b>BVA</b> Axial pressure gauge	240	<b>BEA</b> Electrical pressure indicator	239
<b>BVR</b> Radial pressure gauge	240	<b>BEM</b> Electrical pressure indicator	239
<b>BVP</b> Visual pressure indicator with automatic reset	241	<b>BLA</b> Electrical / visual pressure indicator	239-240
<b>BVQ</b> Visual pressure indicator with manual reset	241		

<b>Additional features</b>	page
<b>T5</b> Filler plug M30x1.5	249



# MPFX MPFX410

## Designation & Ordering code

### COMPLETE FILTER

<b>Series and size</b>	Configuration example 1:	MPFX410	1	V	G4	1	P10	N	E	P01
<b>MPFX410</b> Filter element with private spigot	Configuration example 2:	MPFX410	1	A	G1	1	A25	H	B	P01
<b>Length</b>										
1   2   3										
<b>Seals and treatments</b>										
A NBR										
V FPM										
W NBR head anodized										
Z FPM head anodized										
<b>Main Connections</b>										
<b>G1</b> G 1 1/4"	Aux size 1									
<b>G4</b> 1 1/4" NPT	1" NPT									
<b>G7</b> SAE 20 - 1 5/8" - 12 UN	SAE 16 - 1 5/16" - 12 UN									
<b>Aux connection</b> - see previous table										
1 Aux size 1										
<b>Filtration rating (filter media)</b>										
<b>A03</b> Inorganic microfiber 3 µm	<b>M25</b> Wire mesh 25 µm									
<b>A06</b> Inorganic microfiber 6 µm	<b>M60</b> Wire mesh 60 µm									
<b>A10</b> Inorganic microfiber 10 µm	<b>M90</b> Wire mesh 90 µm									
<b>A16</b> Inorganic microfiber 16 µm	<b>P10</b> Resin impregnated paper 10 µm									
<b>A25</b> Inorganic microfiber 25 µm	<b>P25</b> Resin impregnated paper 25 µm									
<b>Element Δp</b>	Filter media									
N 10 bar	Axx	Mxx	Pxx							
H 10 bar		•	•							
W 10 bar, compatible with fluids HFA, HFB and HFC	•	•								
	<b>Bypass valve</b>					<b>Execution</b>				
	E 3 bar					P01 MP Filtri standard				
	B 1.75 bar					Pxx Customized				

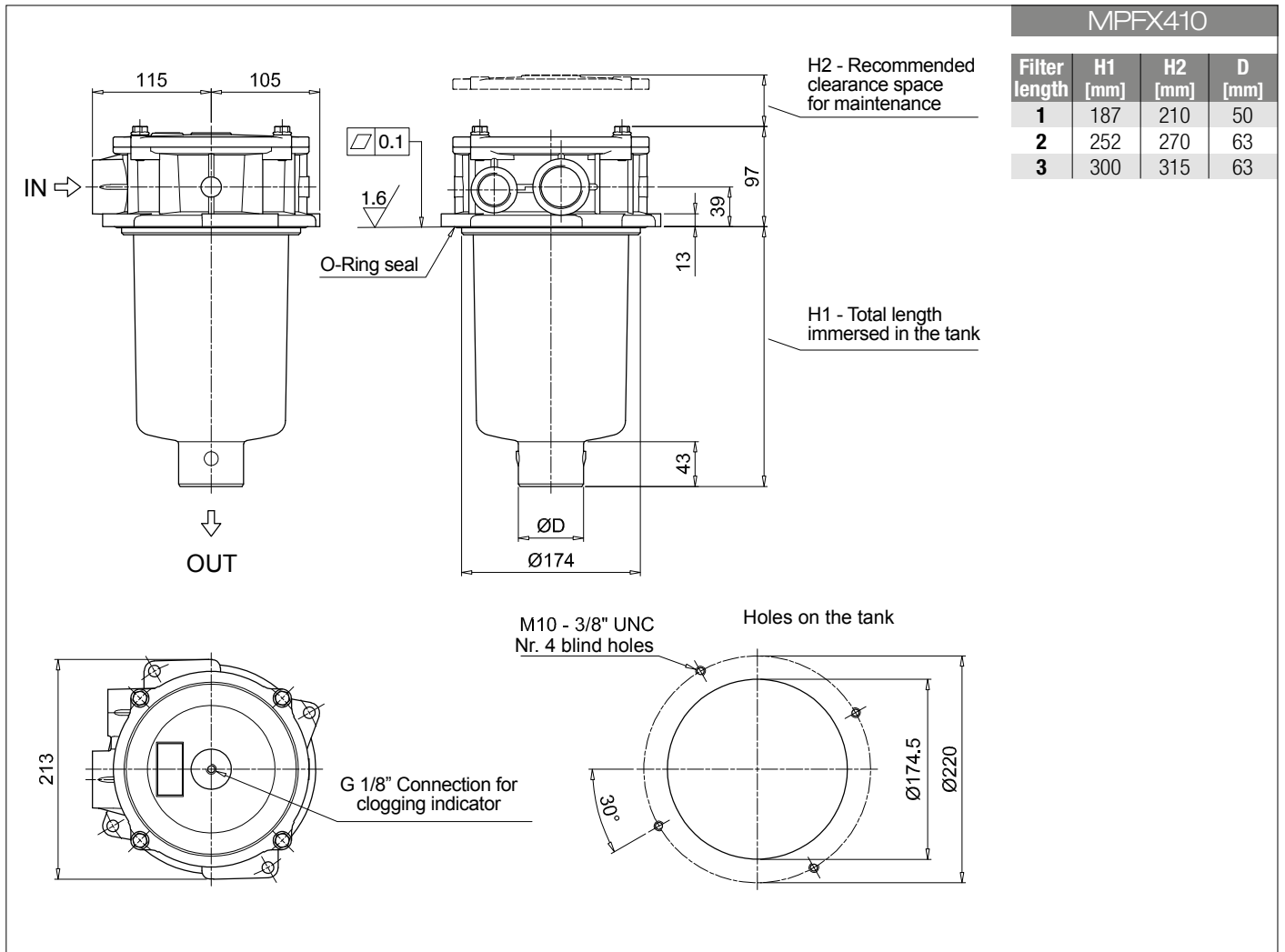
### FILTER ELEMENT

<b>Element series and size</b>	Configuration example 1:	MFX400	1	P10	N	V	E	P01
<b>MFX400</b> Filter element with private spigot	Configuration example 2:	MFX400	1	A25	H	B		P01
<b>Element length</b>								
1   2   3								
<b>Filtration rating (filter media)</b>								
<b>A03</b> Inorganic microfiber 3 µm	<b>M25</b> Wire mesh 25 µm							
<b>A06</b> Inorganic microfiber 6 µm	<b>M60</b> Wire mesh 60 µm							
<b>A10</b> Inorganic microfiber 10 µm	<b>M90</b> Wire mesh 90 µm							
<b>A16</b> Inorganic microfiber 16 µm	<b>P10</b> Resin impregnated paper 10 µm							
<b>A25</b> Inorganic microfiber 25 µm	<b>P25</b> Resin impregnated paper 25 µm							
<b>Element Δp</b>	Filter media							
N 10 bar	Axx	Mxx	Pxx					
H 10 bar		•	•					
W 10 bar, compatible with fluids HFA, HFB and HFC	•	•						
	<b>Seals</b>			<b>Bypass valve</b>			<b>Execution</b>	
	B NBR			E 3 bar			P01 MP Filtri standard	
	V FPM			1.75 bar			Pxx Customized	

### ACCESSORIES

<b>Indicators</b>	page		page
<b>BVA</b> Axial pressure gauge	240	<b>BEA</b> Electrical pressure indicator	239
<b>BVR</b> Radial pressure gauge	240	<b>BEM</b> Electrical pressure indicator	239
<b>BVP</b> Visual pressure indicator with automatic reset	241	<b>BLA</b> Electrical / visual pressure indicator	239-240
<b>BVQ</b> Visual pressure indicator with manual reset	241		

<b>Additional features</b>	page
<b>T5</b> Filler plug M30x1.5	249



# MPFX MPFX450 - MPFX451 - MPFX750

## Designation & Ordering code

### COMPLETE FILTER

Series and size				Configuration example 1: MPFX450 1 A G1 A25 H B P01									
MPFX450   MPFX451   MPFX750 Filter element with private spigot				Configuration example 2: MPFX750 1 V F2 P10 N E P01									
Length		MPFX 450	MPFX 451	MPFX 750									
1		•	•	•									
2		•	•										
3		•	•										
Seals and treatments													
A	NBR	W	NBR head anodized										
V	FPM	Z	FPM head anodized										
Connections		Aux (only size 451)											
G1	G 2"	G 3/4"											
G4	2" NPT	3/4" NPT											
G7	SAE 32 - 2 1/2" - 12 UN	SAE 12 - 1 1/16" - 12 UN											
F1	2" SAE 3000 psi/M	G 3/4"											
F2	2" SAE 3000 psi/UN	3/4" NPT											
Filtration rating (filter media)													
A03	Inorganic microfiber 3 µm	M25	Wire mesh 25 µm										
A06	Inorganic microfiber 6 µm	M60	Wire mesh 60 µm										
A10	Inorganic microfiber 10 µm	M90	Wire mesh 90 µm										
A16	Inorganic microfiber 16 µm	P10	Resin impregnated paper 10 µm										
A25	Inorganic microfiber 25 µm	P25	Resin impregnated paper 25 µm										
Element Δp		Filter media											
N	10 bar	Axx	Mxx	Pxx									
H	10 bar		•	•									
W	10 bar, compatible with fluids HFA, HFB and HFC	•	•										
		Bypass valve		Execution									
		E	3 bar	P01 MP Filtri standard									
		B	1.75 bar	Pxx Customized									

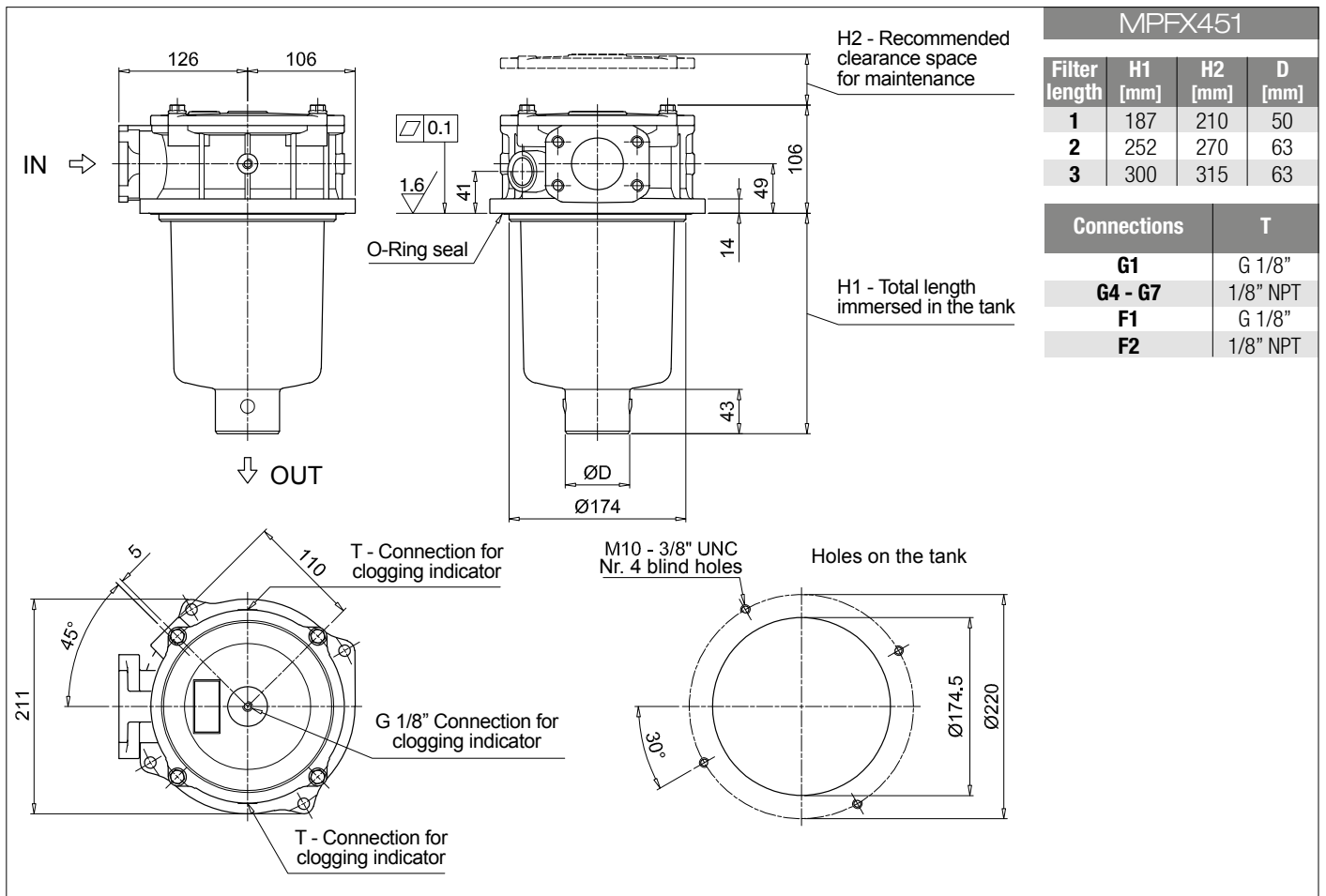
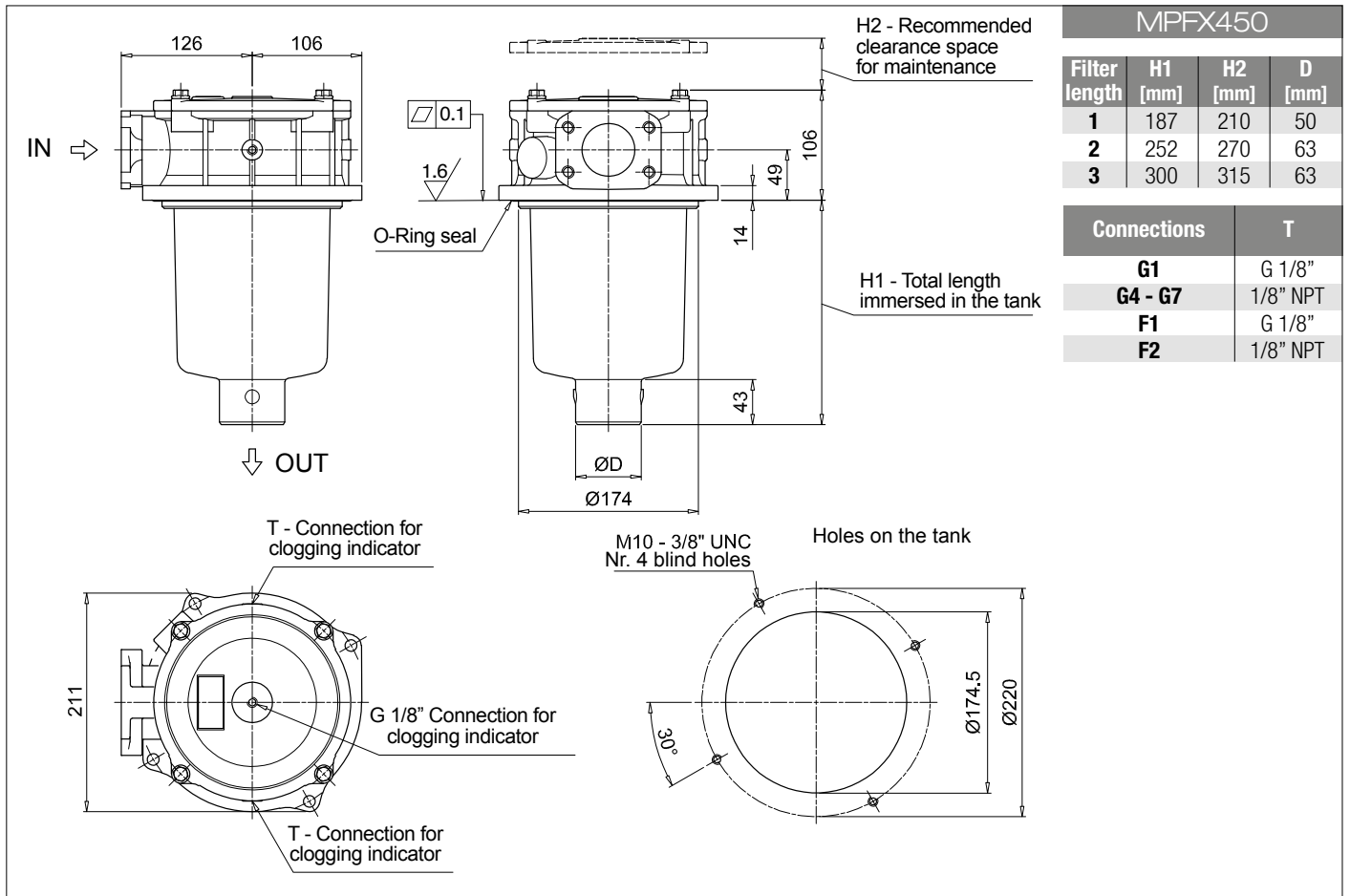
### FILTER ELEMENT

Element series and size				Configuration example 1: MFX400 1 A25 H B P01									
MFX400   MFX750 Filter element with private spigot				Configuration example 2: MFX750 1 P10 N V E P01									
Element length		MPFX 450	MPFX 451	MPFX 750									
1		•	•	•									
2		•	•										
3		•	•										
Filtration rating (filter media)													
A03	Inorganic microfiber 3 µm	M25	Wire mesh 25 µm										
A06	Inorganic microfiber 6 µm	M60	Wire mesh 60 µm										
A10	Inorganic microfiber 10 µm	M90	Wire mesh 90 µm										
A16	Inorganic microfiber 16 µm	P10	Resin impregnated paper 10 µm										
A25	Inorganic microfiber 25 µm	P25	Resin impregnated paper 25 µm										
Element Δp		Filter media											
N	10 bar	Axx	Mxx	Pxx									
H	10 bar		•	•									
W	10 bar, compatible with fluids HFA, HFB and HFC	•	•										
		Seals		Bypass valve		Execution							
		B	NBR	E	3 bar	P01 MP Filtri standard							
		V	FPM		1.75 bar	Pxx Customized							

### ACCESSORIES

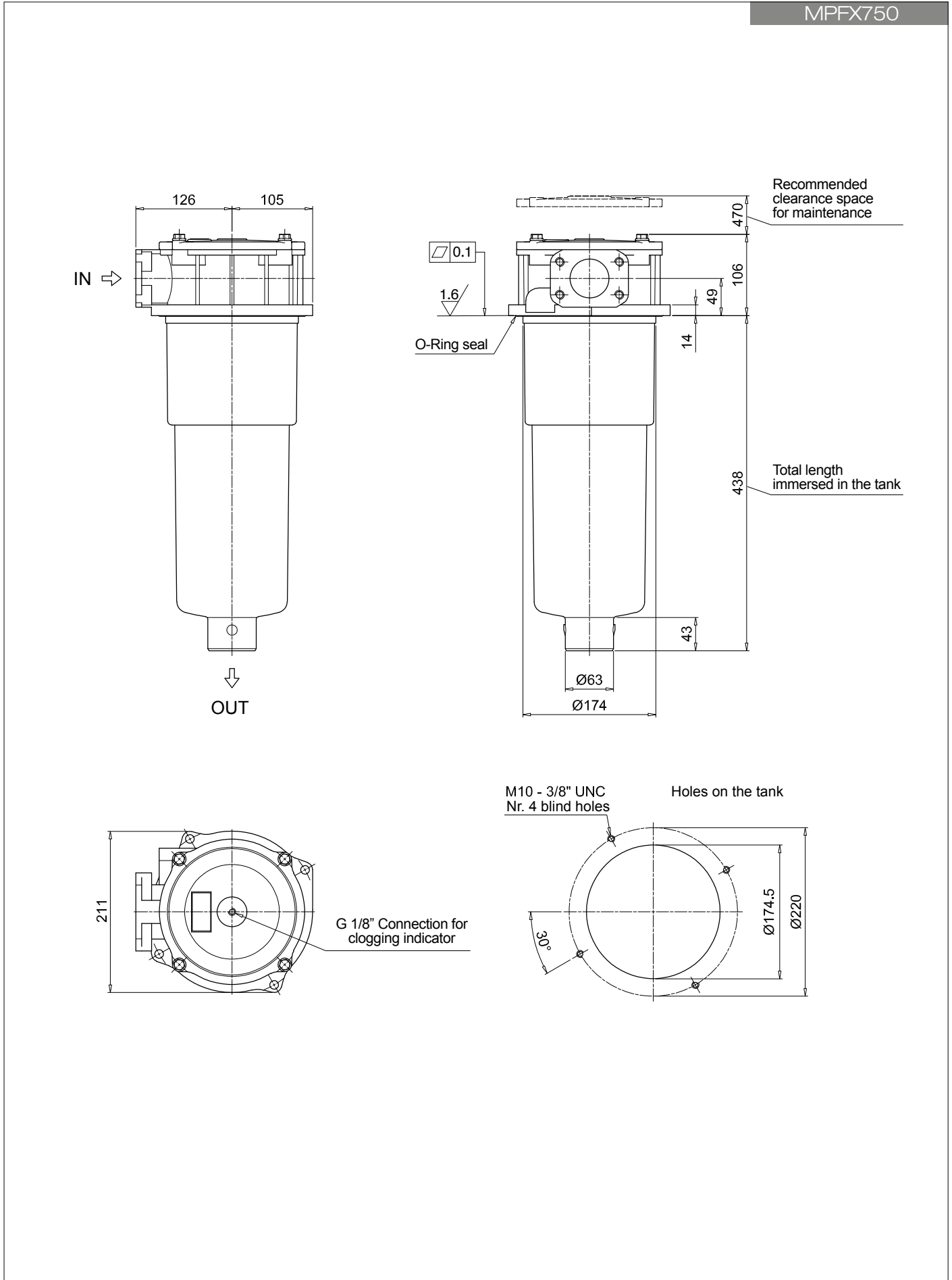
Indicators	page		page
BVA Axial pressure gauge	240	BEA Electrical pressure indicator	239
BVR Radial pressure gauge	240	BEM Electrical pressure indicator	239
BVP Visual pressure indicator with automatic reset	241	BLA Electrical / visual pressure indicator	239-240
BVQ Visual pressure indicator with manual reset	241		

Additional features	page
T5 Filler plug M30x1.5	249



# MPFX MPFX450 - MPFX451 - MPFX750

## Dimensions



**MPFX 100**

**MPFX 181**

O-RING SEAL			
	Q.ty: 1 pc.	Q.ty: 1 pc.	
Item:	2	3 (3a ÷ 3d)	
Filter series	Filter element	Seal Kit code number NBR	Seal Kit code number FPM
<b>MPFX 030</b>	See order table	02050675	02050676
<b>MPFX 100-110</b>		02050677	02050678
<b>MPFX 181-182</b>		02050681	02050682
<b>MPFX 184</b>		02050685	02050686
<b>MPFX 191-192</b>		02050683	02050684
<b>MPFX 194</b>		02050687	02050688
<b>MPFX 400-410</b>		02050695	02050696
<b>MPFX 450-451</b>		02050697	02050698
<b>MPFX 750</b>		02050699	02050700

**MPFX 104**

**MPFX 181**

FLAT SEAL			
	Q.ty: 1 pc.	Q.ty: 1 pc.	
Item:	2	3 (3a ÷ 3d)	
Filter series	Filter element	Seal Kit code number NBR	Seal Kit code number FPM
<b>MPFX 104</b>	See order table	02050679	02050680
<b>MPFX 181-182</b>		02050691	02050692
<b>MPFX 191-192</b>		02050691	02050692