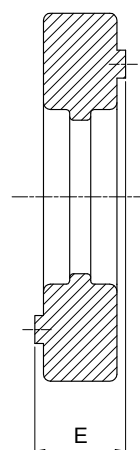
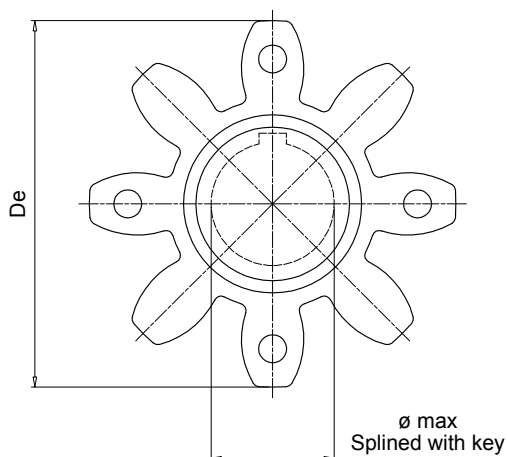


Notes:

Made of black oil-resistant rubber, these components serve to interconnect the two halves (motor - pump) of a flexible coupling.

EGE** series

Code	Half-coupling code	Dimensions [mm]			Nominal torque Nm	Max torque Nm	Weight [kg]
		E	De	ø max			
EGE0	SGEA01 - SGEG01	15	40	16	10	20	0.006
EGE2	SGEA21	18	65	25	95	190	0.02
EGE3	SGEA31 - SGEG31	22	80	35	190	380	0.04
EGE5	SGEA51	26	105	45	310	620	0.06
EGE4	SGEG40 - SGES40	24	95	40	310	620	0.09
EGE6	SGEG60 - SGES60	28	120	55	430	860	0.13
EGE8	SGEG80 - SGES80	38	160	75	1250	2500	0.36



Notes:

Made in polyurethane Laripur - LPR202-95A, red colour, are suitable for applications where high levels of torque are transmitted.

EGE**RR series

Code	Half-coupling code	Dimensions [mm]			Nominal torque Nm	Max torque Nm	Weight [kg]
		E	De	ø max			
EGE0RR	SGEA01/SGEG01	15	40	16	15	30	0.006
EGE2RR	SGEA21	18	65	25	115	230	0.02
EGE3RR	SGEA31/SGEG31	22	80	35	250	500	0.04
EGE5RR	SGEA51	26	105	45	400	800	0.06
EGE4RR	SGEG40/SGES40	24	95	40	380	760	0.09
EGE6RR	SGEG60/SGES60	28	120	55	550	1100	0.13
EGE8RR	SGEG80/SGES80	38	160	75	1400	2900	0.36
EGE9RR	SGEG90	42	200	95	8900	9900	0.59

Version for extreme temperatures available on request.

For further information, contact the MP Filtri Technical and Sales Department.