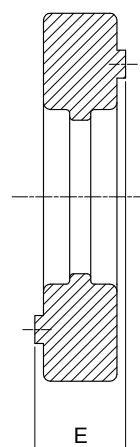
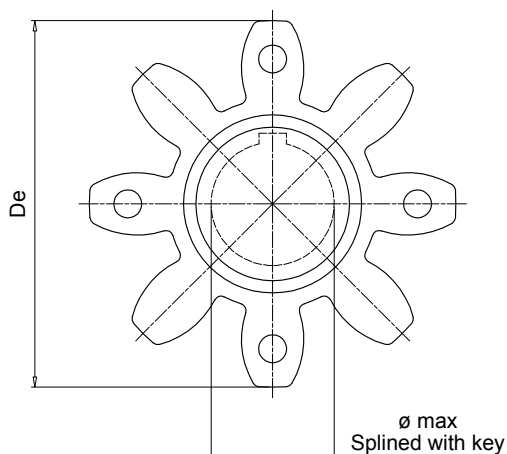


**Notes:**

Made of black oil-resistant rubber, these components serve to interconnect the two halves (motor - pump) of a flexible coupling.

EGE\*\* series

Code	Half-coupling code	Dimensions [mm]			Nominal torque Nm	Max torque Nm	Weight [kg]
		E	De	ø max			
<b>EGE0</b>	SGEA01 - SGEG01	15	40	16	10	20	0.006
<b>EGE2</b>	SGEA21	18	65	25	95	190	0.02
<b>EGE3</b>	SGEA31 - SGEG31	22	80	35	190	380	0.04
<b>EGE5</b>	SGEA51	26	105	45	310	620	0.06
<b>EGE4</b>	SGEG40 - SGES40	24	95	40	310	620	0.09
<b>EGE6</b>	SGEG60 - SGES60	28	120	55	430	860	0.13
<b>EGE8</b>	SGEG80 - SGES80	38	160	75	1250	2500	0.36



**Notes:**

Made in polyurethane Laripur - LPR202-95A, red colour, are suitable for applications where high levels of torque are transmitted.

EGE\*\*RR series

Code	Half-coupling code	Dimensions [mm]			Nominal torque Nm	Max torque Nm	Weight [kg]
		E	De	ø max			
<b>EGE0RR</b>	SGEA01/SGEG01	15	40	16	15	30	0.006
<b>EGE2RR</b>	SGEA21	18	65	25	115	230	0.02
<b>EGE3RR</b>	SGEA31/SGEG31	22	80	35	250	500	0.04
<b>EGE5RR</b>	SGEA51	26	105	45	400	800	0.06
<b>EGE4RR</b>	SGEG40/SGES40	24	95	40	380	760	0.09
<b>EGE6RR</b>	SGEG60/SGES60	28	120	55	550	1100	0.13
<b>EGE8RR</b>	SGEG80/SGES80	38	160	75	1400	2900	0.36
<b>EGE9RR</b>	SGEG90	42	200	95	8900	9900	0.59

Version for extreme temperatures available on request.

For further information, contact the MP Filtri Technical and Sales Department.