



**VALVOLE DI PRESSIONE**

**DBD**

**DIRECT OPERATED PRESSURE RELIEF VALVES**

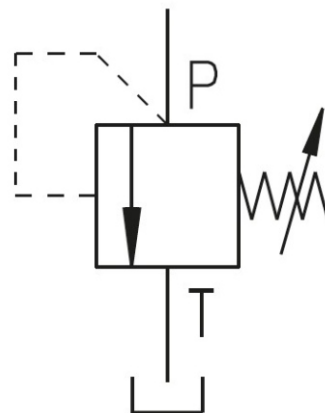
DBD IS DIRECT OPERATED PRESSURE RELIEF VALVE, USED TO LIMIT PRESSURE IN HYDRAULIC SYSTEM.  
 THERE ARE SEVEN PRESSURE ADJUSTMENT RANGES AVAILABLE.  
 IT HAS CHARACTERISTICS OF COMPACT STRUCTURE , HIGH PERFORMANCE, RELIABLE WORK, LOW NOISE AND LONG SERVICE LIFE.  
 THESE SERIES ARE WIDELY APPLIED TO MANY LOWER SYSTEMS, CAN BE ALSO USED AS RELIEF VALVE AND REMOTE CONTROL VALVE.



**TECHNICAL DATA**

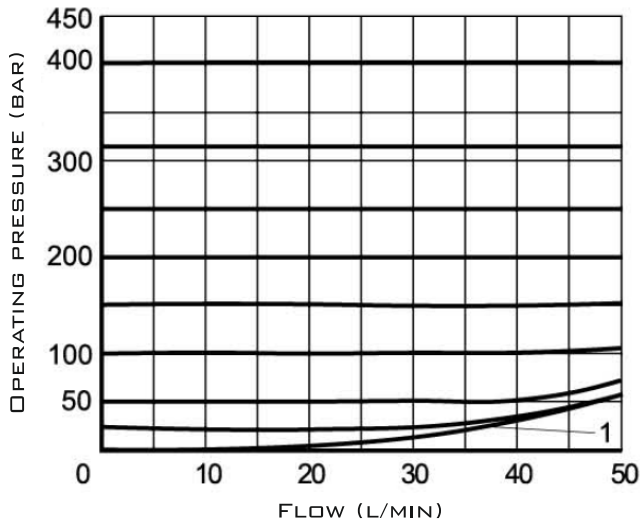
SIZE		6	10	20
OPERATING PRESSURE (MPA)		31.5		
MAX. WORKING PRESSURE (MPA)		40		
MAX. FLOW RATE (L/MIN)		50	120	250
FLUID TEMPERATURE (°C)		-20 - 70		
FILTRATION ACCURACY (µM)		25		
WEIGHT (KG)	DBD K	0.4	0.5	0.9
	DBD G	1.6	3.6	6.9
	DBD P	1.7	3.7	7.1
VALVE BODY (MATERIAL)		CASTING PHOSPHATING SURFACE		

**SCHEME**

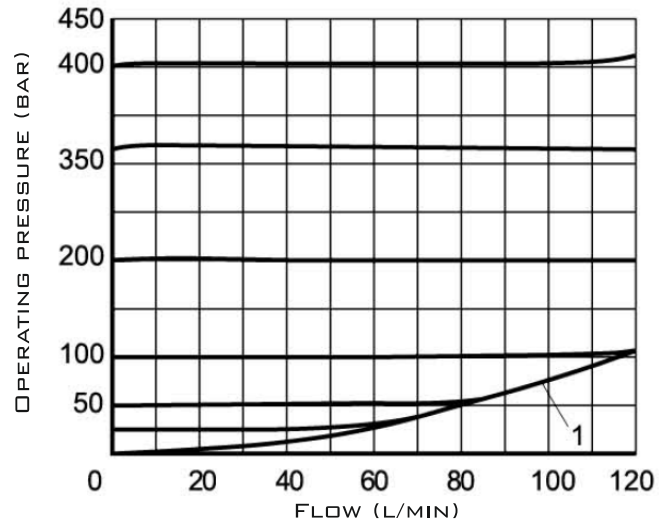


**CHARACTERISTIC CURVES**

SIZE 6

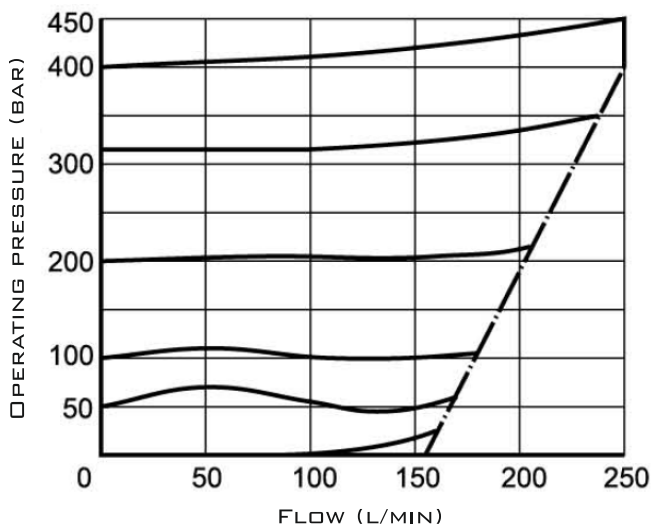


SIZE 10



1 = MIN. ADJUSTABLE PRESSURE

SIZE 20



**ATTENTION!**

THE CURVES ARE AVAILABLE WHEN OUTPUT PRESSURE  $P_T=0$  WITHIN THE FLOW RANGES, AND THE PRESSURE DIFFERENTIAL OF HOUSING IS NOT CONSIDERED WHEN MEASURES.

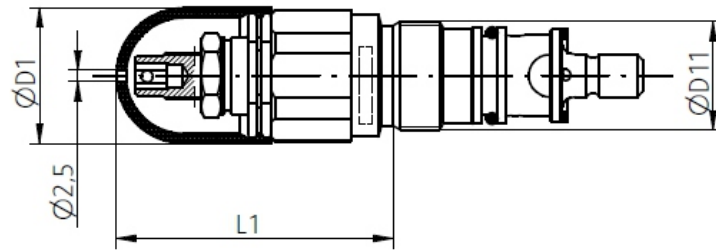
THE CURVES ARE ONLY AVAILABLE FOR THE NORMAL ENVIRONMENT AND TEMPERATURE CONDITIONS, AND THE EFFECT OF BOUNDARY VARIATION CONDITIONS FOR CHARACTERISTIC CURVES MUST BE CONSIDERED.

THE CURVES ARE RELATED LEVEL (LIKE 200 BAR). THE INCREASED PRESSURE DATA WILL BE HIGHER WHEN RELIEF FLOW RATE ADDED.

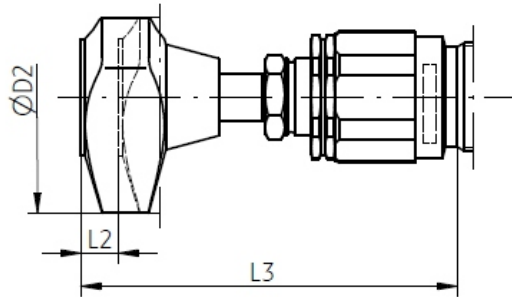
SEE ALSO:  
DB, ZDB

PLUG-IN INSTALLATION DIMENSIONS

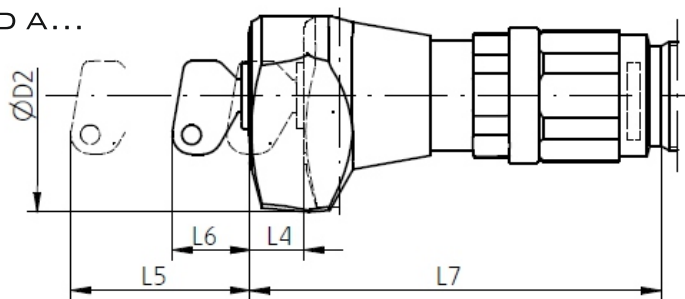
DBD S...



DBD H...



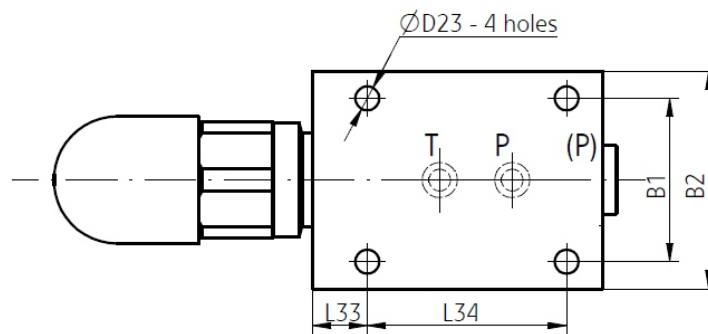
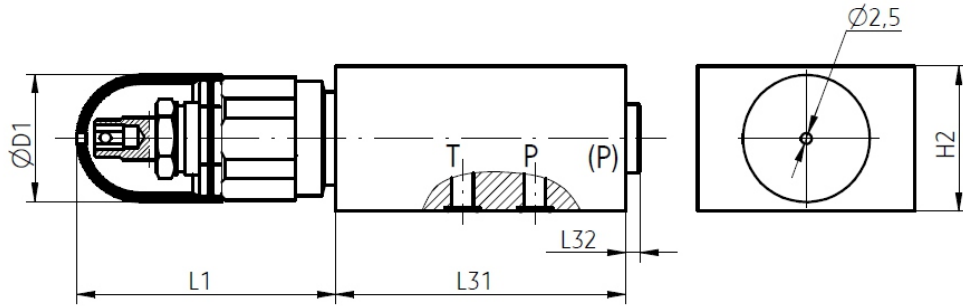
DBD A...



MODEL	DBD 6K	DBD 10K	DBD 20K
ØD1	34	38	48
ØD2	60	60	60
L1	72	68	65
L2	11	11	11
L3	95,5	91,5	87
L4	11	11	11
L5	46	46	46
L6	18	18	18
L7	106,5	102,5	98
ØD11	M28x1,5	M35x1,5	M45x1,5

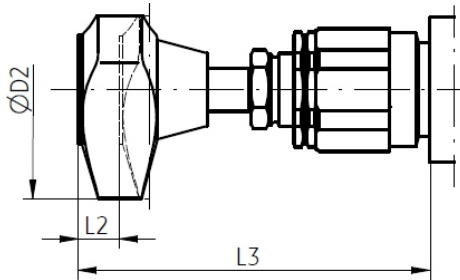
### SUBPLATE INSTALLATION DIMENSIONS

DBD S...

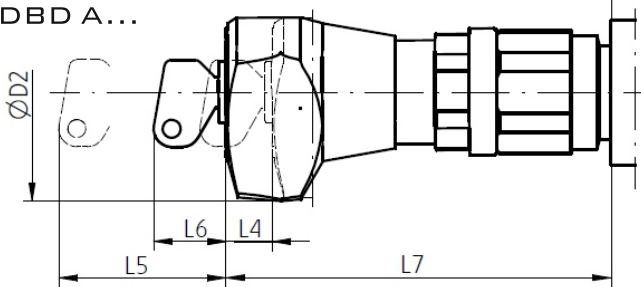


PORT (P) –  
CONNECTION FOR  
PRESSURE GAUGE

DBD H...



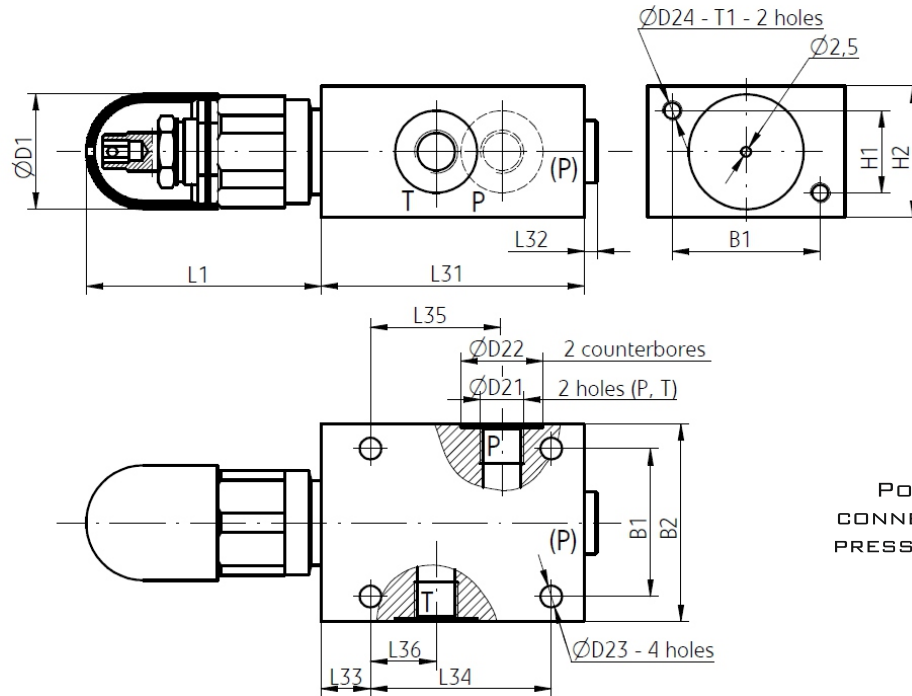
DBD A...



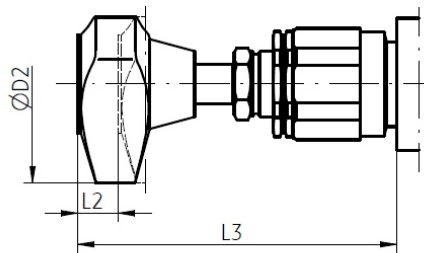
MODEL	DBD 6P	DBD 10P	DBD 20P
B1	45	60	70
B2	60	80	100
ØD1	34	38	48
ØD2	60	60	60
ØD23	6,6	9	9
H2	40	60	70
L1	72	68	65
L2	11	11	11
L3	95,5	91,5	87
L4	11	11	11
L5	46	46	46
L6	18	18	18
L7	106,5	102,5	98
L31	80	100	135
L32	4	4	5,5
L33	15	20	20
L34	55	70	100
PORT (P)	G 1/4"	G 1/2"	G 1"

THREAD CONNECTION DIMENSIONS

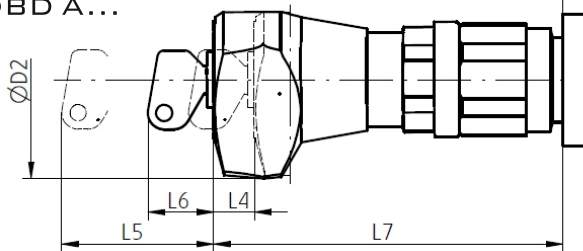
DBD S...



DBD H...



DBD A...



MODEL	DBD 6G	DBD 10G	DBD 20G
B 1	45	60	70
B 2	60	80	100
ØD 1	34	38	48
ØD 2	60	60	60
ØD 21	G 1/4"	G 1/2"	G 1"
ØD 22	25	34	47
ØD 23	6,6	9	9
ØD 24	M6	M8	M8
H 1	25	40	50
H 2	40	60	70
L 1	72	68	65
L 2	11	11	11
L 3	95,5	91,5	87
L 4	11	11	11
L 5	46	46	46
L 6	18	18	18
L 7	106,5	102,5	98
L 31	80	100	135
L 32	4	4	5,5
L 33	15	20	20
L 34	55	70	100
L 35	40	49	65
L 36	20	21	34
T 1	10	15	18
PORT (P)	G 1/4"	G 1/2"	G 1"

**DBD**

**VALVOLE DI PRESSIONE**



DIRECT OPERATED PRESSURE  
RELIEF VALVES

**ORDER CODE**

DBD				10		
-----	--	--	--	----	--	--

S=ADJUSTING BOLT  
WITH PROTECT COVER  
H=WITH HANDLE  
A=HANDLE WITH LOCK

6=6 SIZE  
10=10 SIZE  
20=20 SIZE

K=PLUG-IN TYPE  
G=THREAD CONNECTION  
P=SUBPLATE MOUNTING

NO CODE=NBR SEALS  
V=FKM SEALS

2.5=PRESSURE SETTING 2.5 MPA  
5=PRESSURE SETTING 5 MPA  
10=PRESSURE SETTING 10 MPA  
20=PRESSURE SETTING 20 MPA  
31.5=PRESSURE SETTING 31.5 MPA  
40=PRESSURE SETTING 40 MPA  
63=63 MPA (ONLY FOR 10 SIZE)

10=10 SERIES