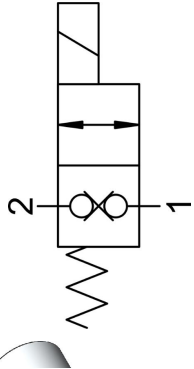


HYDRAULIC SYMBOL

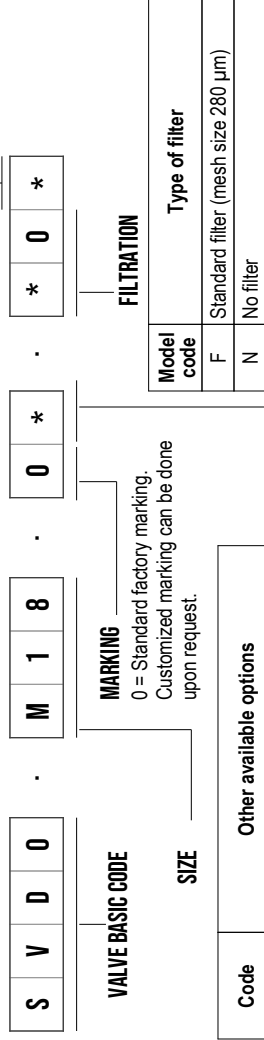


copper type, bi-directional blocking, screw-in cartridge
oil is de-energized, the SVD0.M18 blocks flow in both
see flow from 1 to 2 and from 2 to 1. The rigid design
ivity and provides great reliability. Low pressure drop

TECHNICAL DATA

MAXIMUM OPERATING PRESSURE	250 bar
MAXIMUM FLOW	15 l/min
MAXIMUM INTERNAL LEAKAGE	0,25 cm ³ / min @ 250 bar
EXTERNAL COMPONENT TREATMENT	Zn/Fe - standard (96h) Zn/Ni (720h) (Upon customer request)
SWITCH ON TIME	20 ms
SWITCH OFF TIME	40 ms
O-RING TEMPERATURE RANGE	-30° C to 110° C (standard sealing NBR - Buna - N) -35° C to 140° C (HNBR - Upon customer request) -23° C to 225° C (FKM - Upon customer request)
OIL TEMPERATURE RANGE	-30° C to 110° C
FLUIDS	Mineral - based or synthetics with lubricating properties
VISCOSITIES	7,4 to 420 cSt
MINIMUM PULL-IN VOLTAGE	85% of nominal
FILTRATION	20/18/15 ISO 4406 (maximum filtration admitted)
ORIENTATION	No restrictions
INSTALLATION TORQUE	40-45 Nm Hex. 24
TECH. SPEC. FOR CHARACTERIZATION	see page
OIL TESTING CONDITIONS	ISO VG 46 cSt
SEAL KIT CODE	SK.134 and SK.027 (coil) (standard sealing NBR-BUNA-N)
COIL	18W (for more details see page XXX)
WEIGHT	0,120 kg

ORDERING CODE

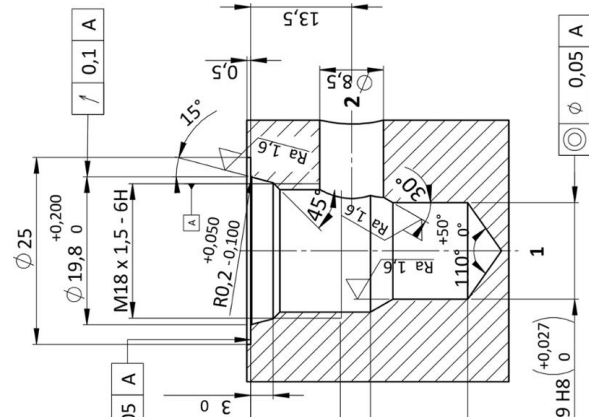


Code	Other available options
S08	3/4-16 UNF with Ø12,7 nose size
S09	3/4-16 UNF with Ø15,86 nose size
M18	METRIC M18x1,5 with Ø12,9 nose size
M20	METRIC M20x1,5 with Ø15 nose size

MANUAL OVERRIDE

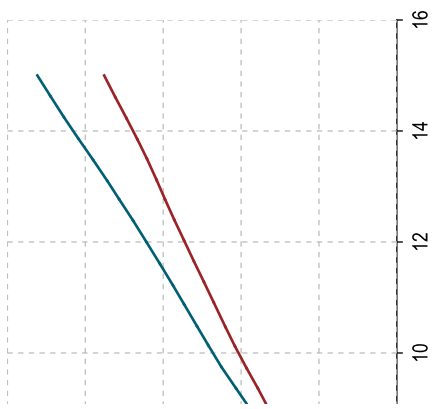
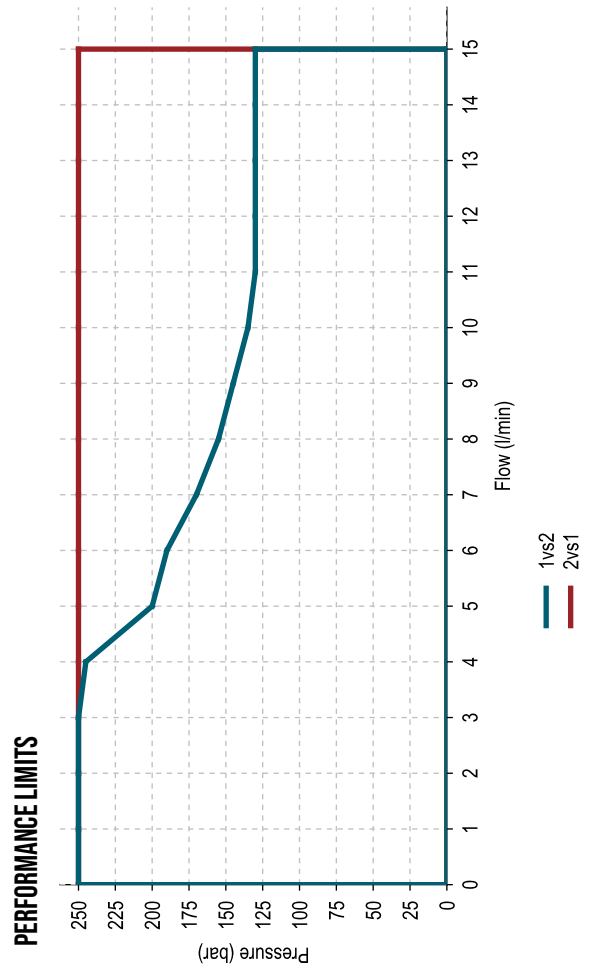
Model code	Type of override
0	No override
2	Push and Twist
3	Push pin
4	Push knob
8	Screw
C	Special Screw

Specifications may change without notice.



ТОВ "Промислова Гідравліка": <https://promhydraulic.com.ua/ua/>

Телефонуйте: +380 (95) 670-15-32, +380 (98) 533-91-67, +380 (96) 244-48-42



NOTE

The performance chart illustrates flow handling capacity in both directions (1 to 2 and 2 to 1 energized). p/Q curves are recorded at TOil = 40°C and 46 cSt.