

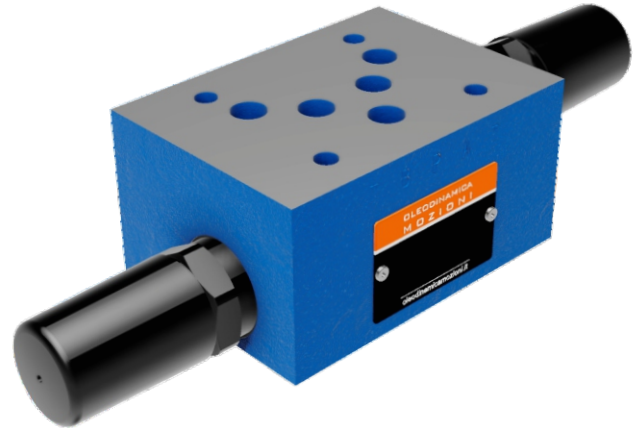


VALVOLE DI PRESSIONE

ZDB10

MODULAR PRESSURE
RELIEF VALVES

ZDB10 IS DIRECT OPERATED PRESSURE RELIEF VALVE FOR MODULAR MOUNTING. THIS SERIES USED TO LIMIT PRESSURE IN HYDRAULIC SYSTEM.

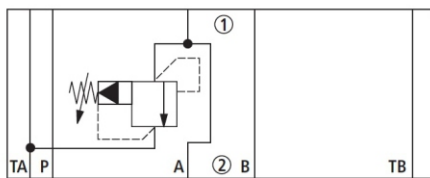


TECHNICAL DATA

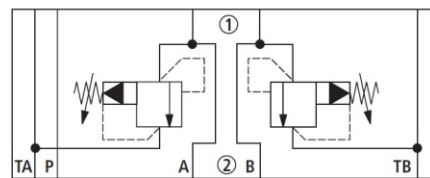
SIZE		10
OPERATING PRESSURE (MPA)		31.5
MAX. FLOW RATE (L/MIN)		100
FLUID TEMPERATURE (°C)		-20 - 70
WEIGHT (KG)	ZDB10	2.6
	Z2DB10	3.1
VALVE BODY (MATERIAL)		CASTING PHOSPHATING SURFACE

SCHEMES

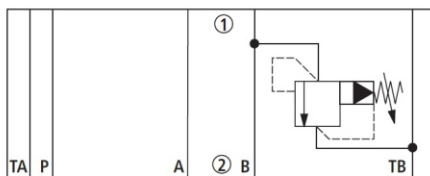
1 = COMPONENT SIDE, 2 = PLATE SIDE



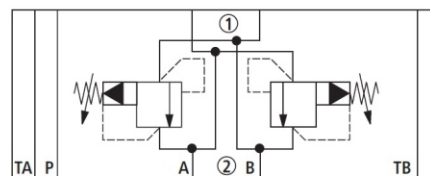
ZDB10VA



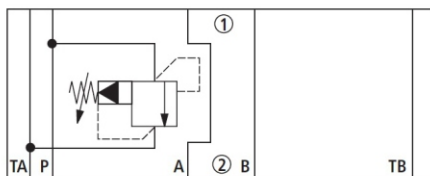
ZDB10VC



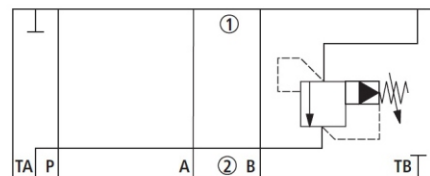
ZDB10VB



ZDB10VD

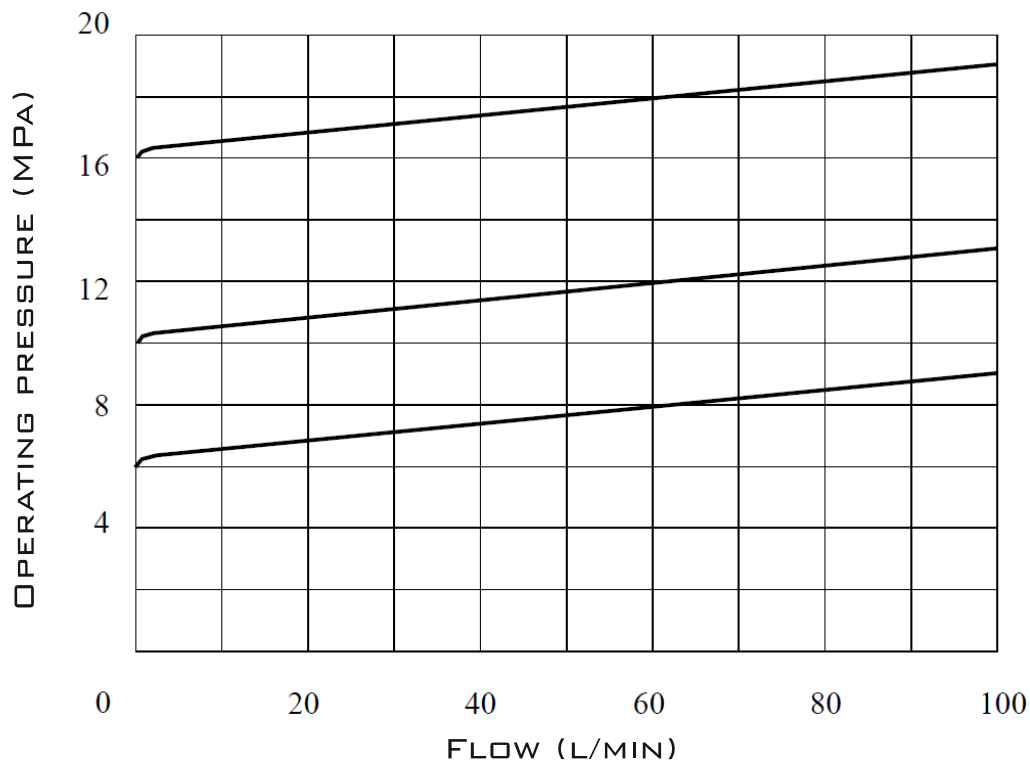


ZDB10VP

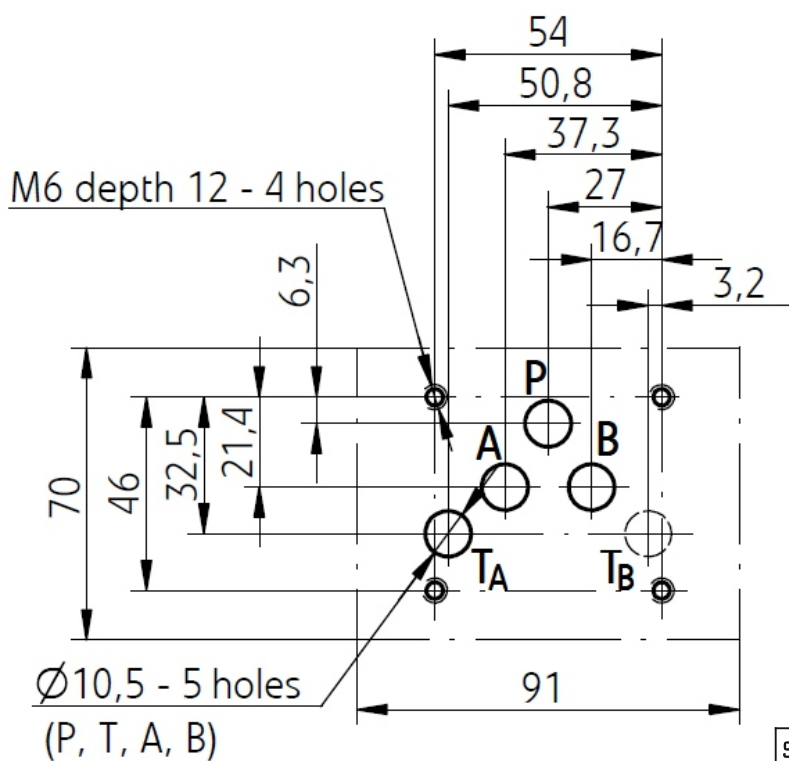


ZDB10VT

CHARACTERISTIC CURVES



SUBPLATE INSTALLATION DIMENSIONS



SEE ALSO:
DB, DBD



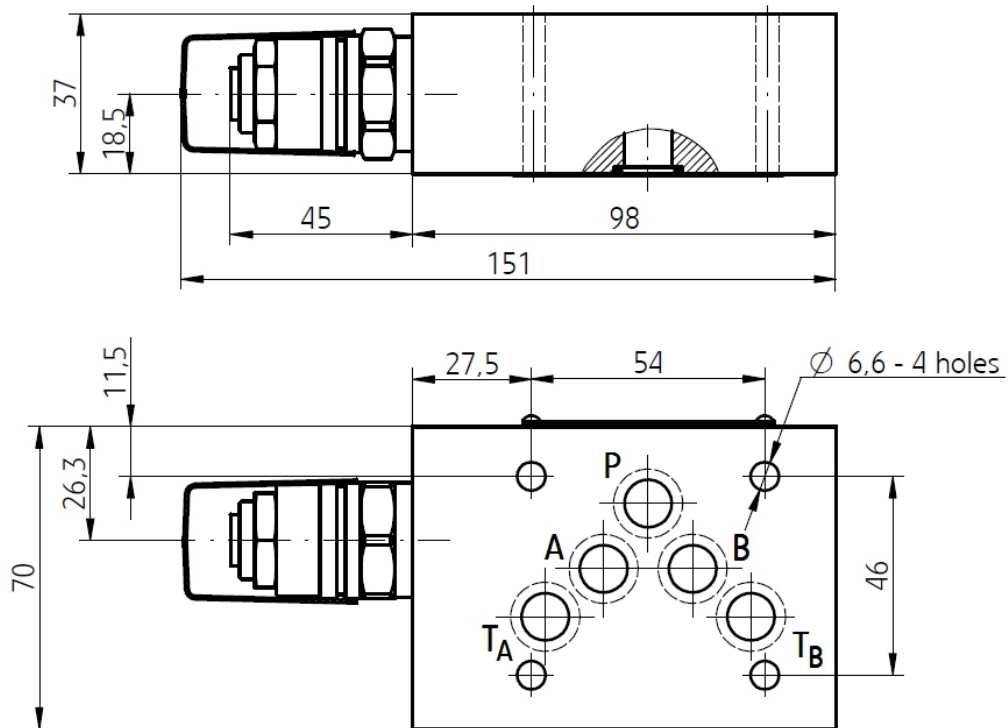
VALVOLE DI PRESSIONE

ZDB10

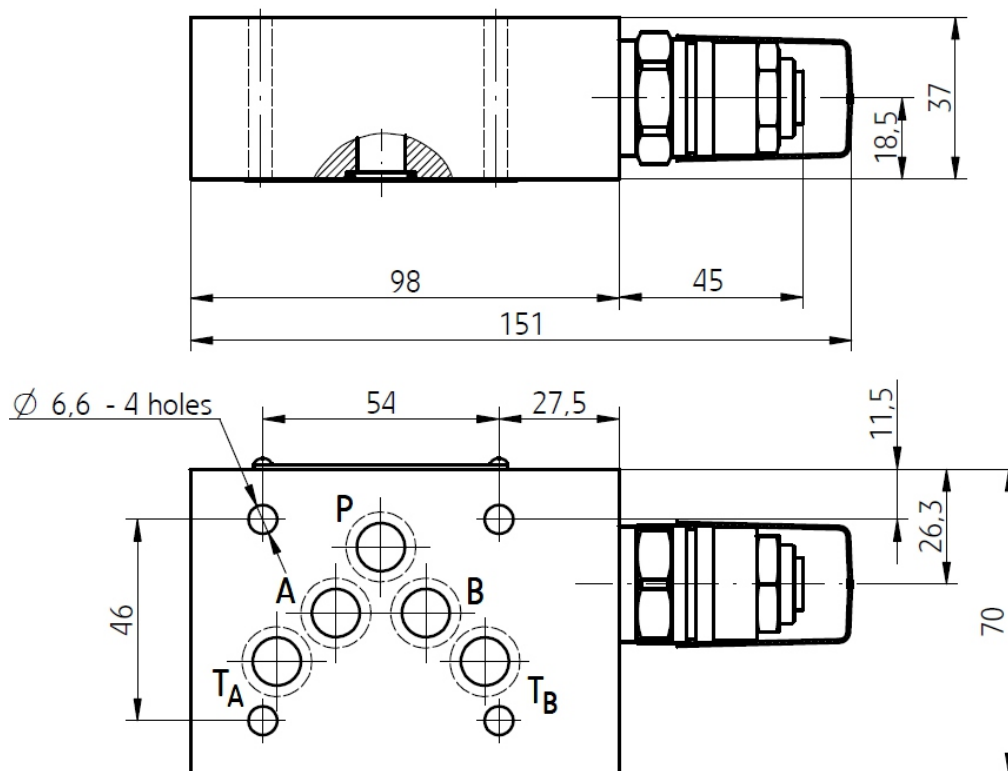
MODULAR PRESSURE
RELIEF VALVES

SUBPLATE INSTALLATION DIMENSIONS

ZDB VA (VT) 2

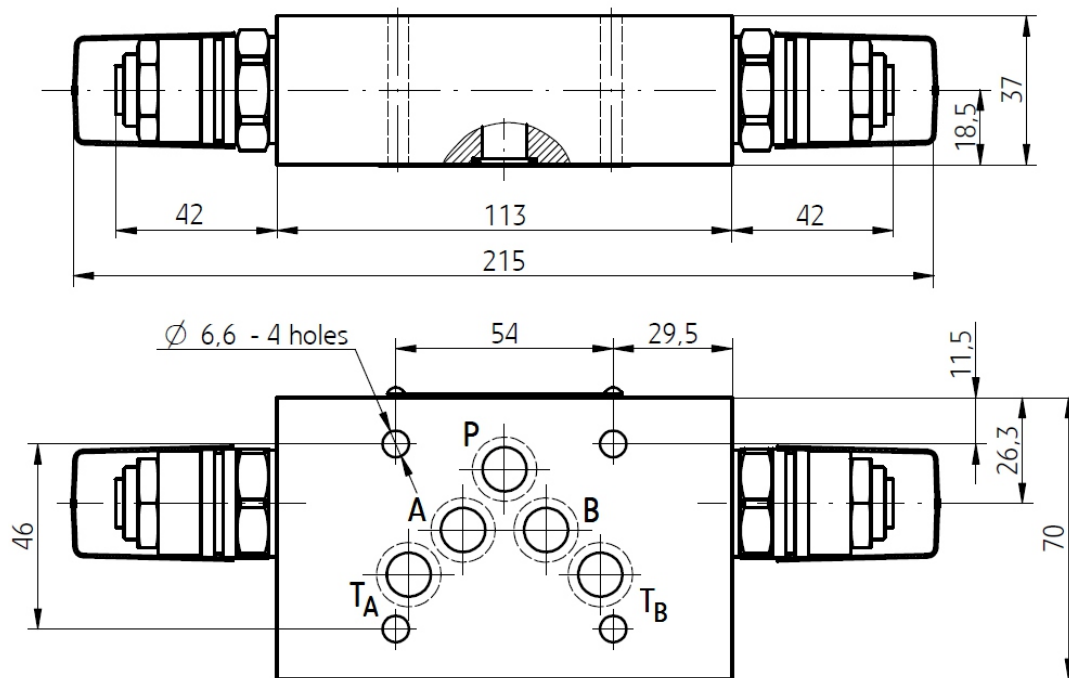


ZDB VB (VP) 2

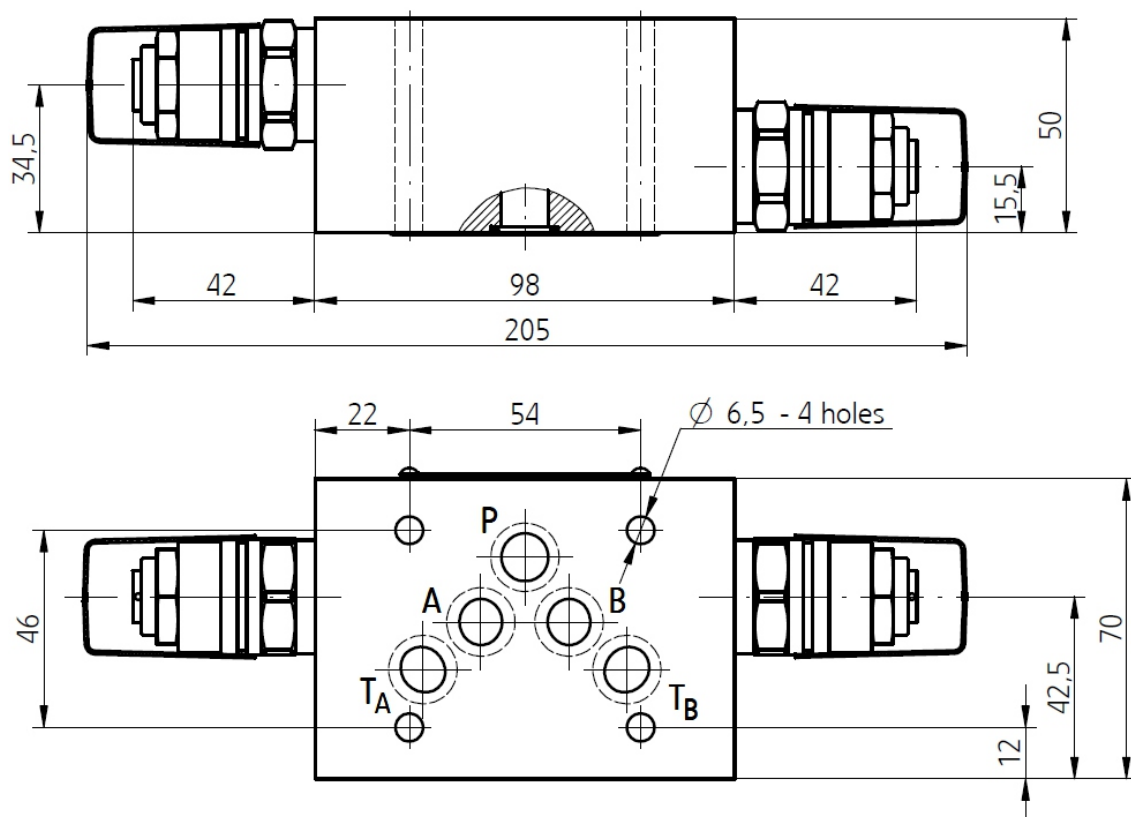


SUBPLATE INSTALLATION DIMENSIONS

ZDB VC 2



ZDB VD 2





VALVOLE DI PRESSIONE

ZDB10

MODULAR PRESSURE
RELIEF VALVES

ORDER CODE

Z		DB	10						
---	--	----	----	--	--	--	--	--	--

Z=MODULAR
MOUNTING

Z=JUST APPLICABLE
VC AND VD WITH Z
PLUG IN RELIEF VALVE

10=10 SIZE

A→TA=VA
B→TB=VB
P→TA=VP
TB→TA=VT
A→TA, B→TB=VC
A→B, B→A=VD

NO CODE=NBR SEALS
V=FKM SEALS

50=MAX. PRESSURE 5 MPA
100=MAX. PRESSURE 10 MPA
200=MAX. PRESSURE 20 MPA
315=MAX. PRESSURE 31.5 MPA

40=40 SERIES

1=WITH HANDLE
2=ADJUSTING BOLT WITH
PROTECT COVER
3=LOCKING WITH SCALE
4=KNOB WITH SCALE