

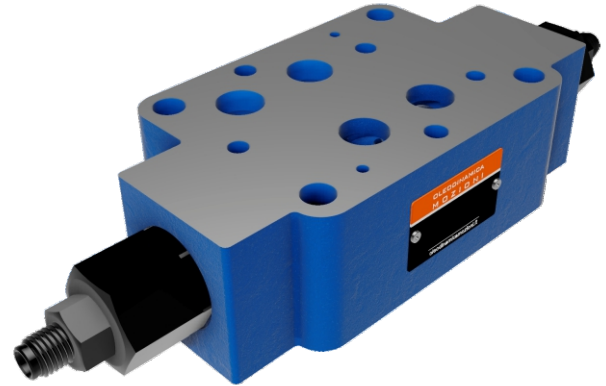


VALVOLE DI FLUSSO

Z2FS16

MODULAR THROTTLE/CHECK VALVES

Z2FS16 SERIES MODULAR THROTTLE/CHECK VALVES ARE USED TO RESTRICT FLOW IN ONE DIRECTION WHILE ALLOWING FREE-FLOW IN THE OPPOSITE DIRECTION AS CHECK VALVES.

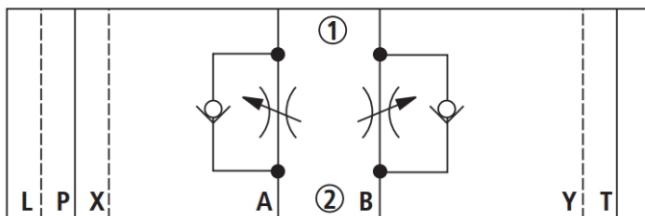


TECHNICAL DATA

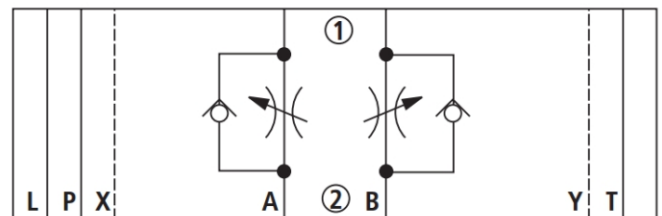
SIZE	16
OPERATING PRESSURE (MPa)	35
MAX. FLOW RATE (L/MIN)	250
FLUID TEMPERATURE (°C)	-30 - 80
WEIGHT (KG)	4.7
VALVE BODY (MATERIAL)	CASTING PHOSPHATING SURFACE

SCHEMES

1 = COMPONENT SIDE, 2 = PLATE SIDE



S=INPUT THROTTLE

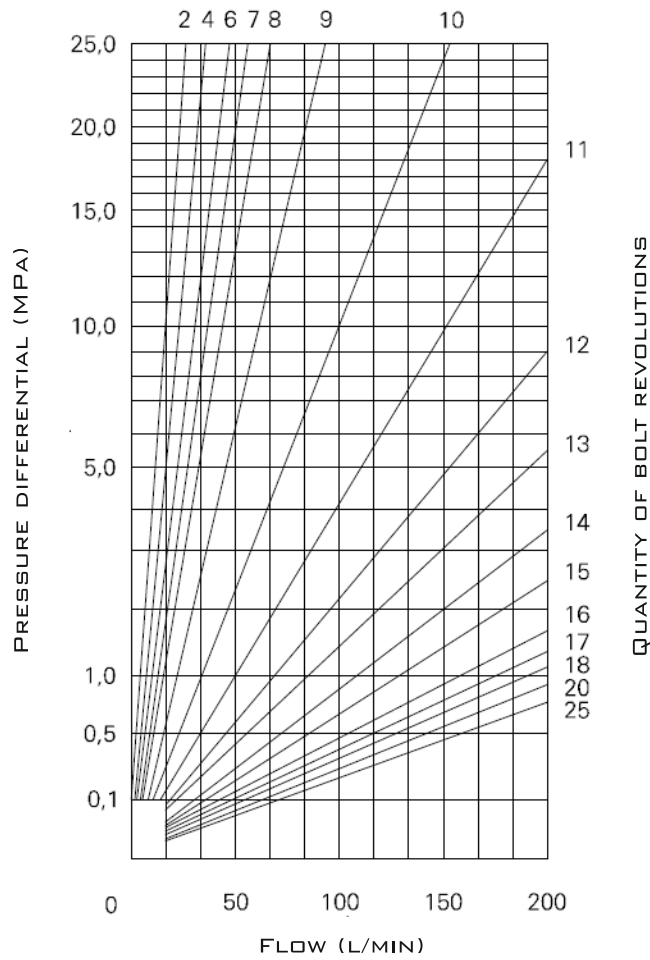


S2=OUTPUT THROTTLE

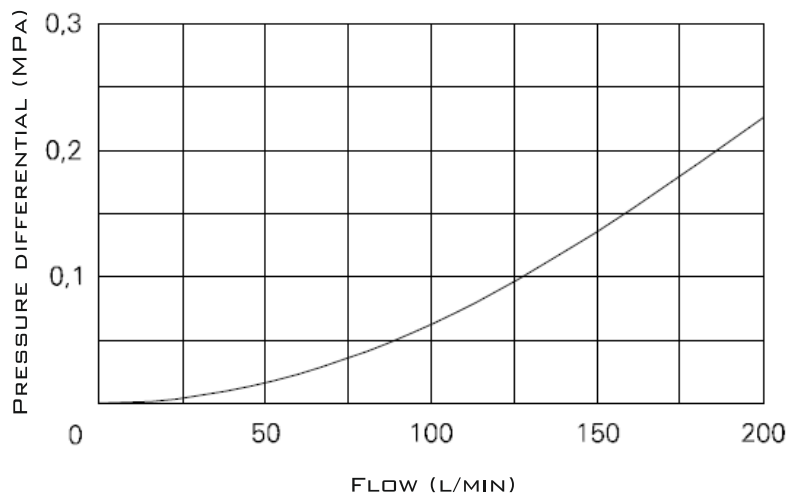


CHARACTERISTIC CURVES

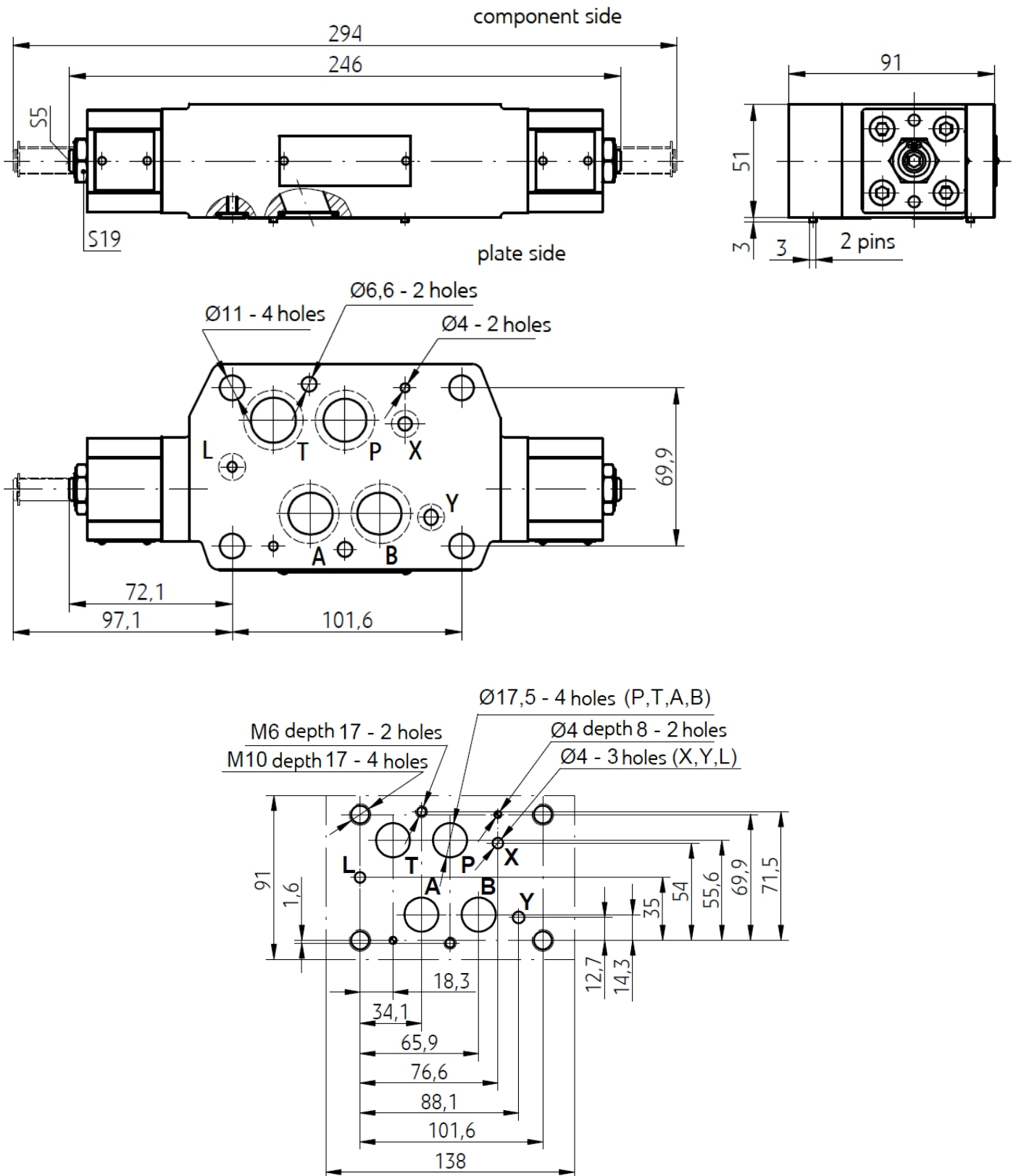
THROTTLE SETTING (ADJUSTMENT SCREW TURNS)



FLOW RESISTANCE CURVE FOR THE CHECK VALVE



SUBPLATE INSTALLATION DIMENSIONS



Z2FS16

VALVOLE DI FLUSSO



MODULAR THROTTLE/CHECK VALVES

ORDER CODE

Z2FS	16				
------	----	--	--	--	--

16=16 SIZE

3X=30-39 SERIES

S=INPUT THROTTLE
S2=OUTPUT THROTTLE

ADDITIONAL REMARKS

NO CODE=NBR SEALS
V=FKM SEALS