

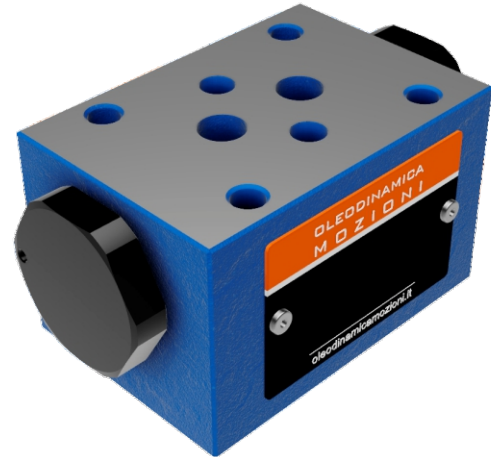


**VALVOLE DI RITEGNO**

**Z2S6**

**PILOT OPERATED CHECK VALVES**

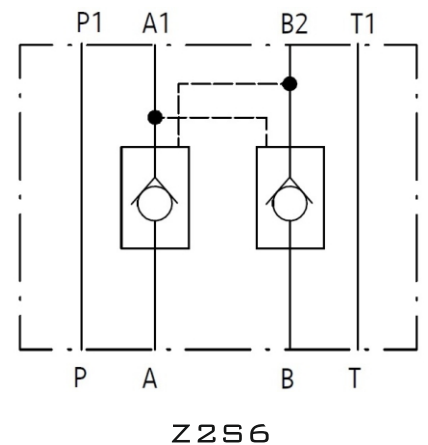
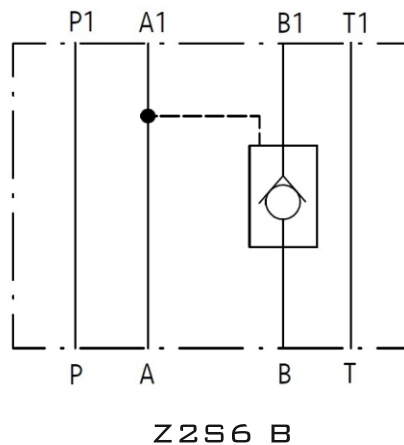
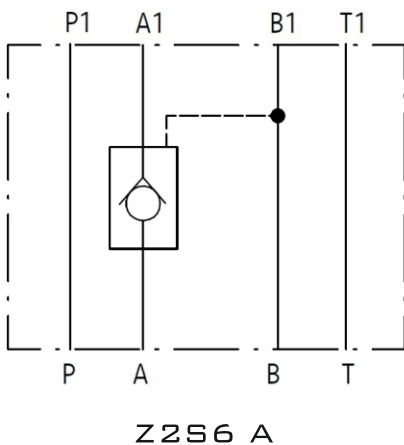
Z2S6 SERIES ARE PILOT OPERATED CHECK VALVES.  
 THIS VALVES ARE USED TO SHUT-OFF AN OIL FLOW IN ONE DIRECTION AND ALLOW FREE FLOW IN THE OPPOSITE DIRECTION.  
 THEY CAN ALSO BE OPENED IN THE DIRECTION OF CLOSURE.



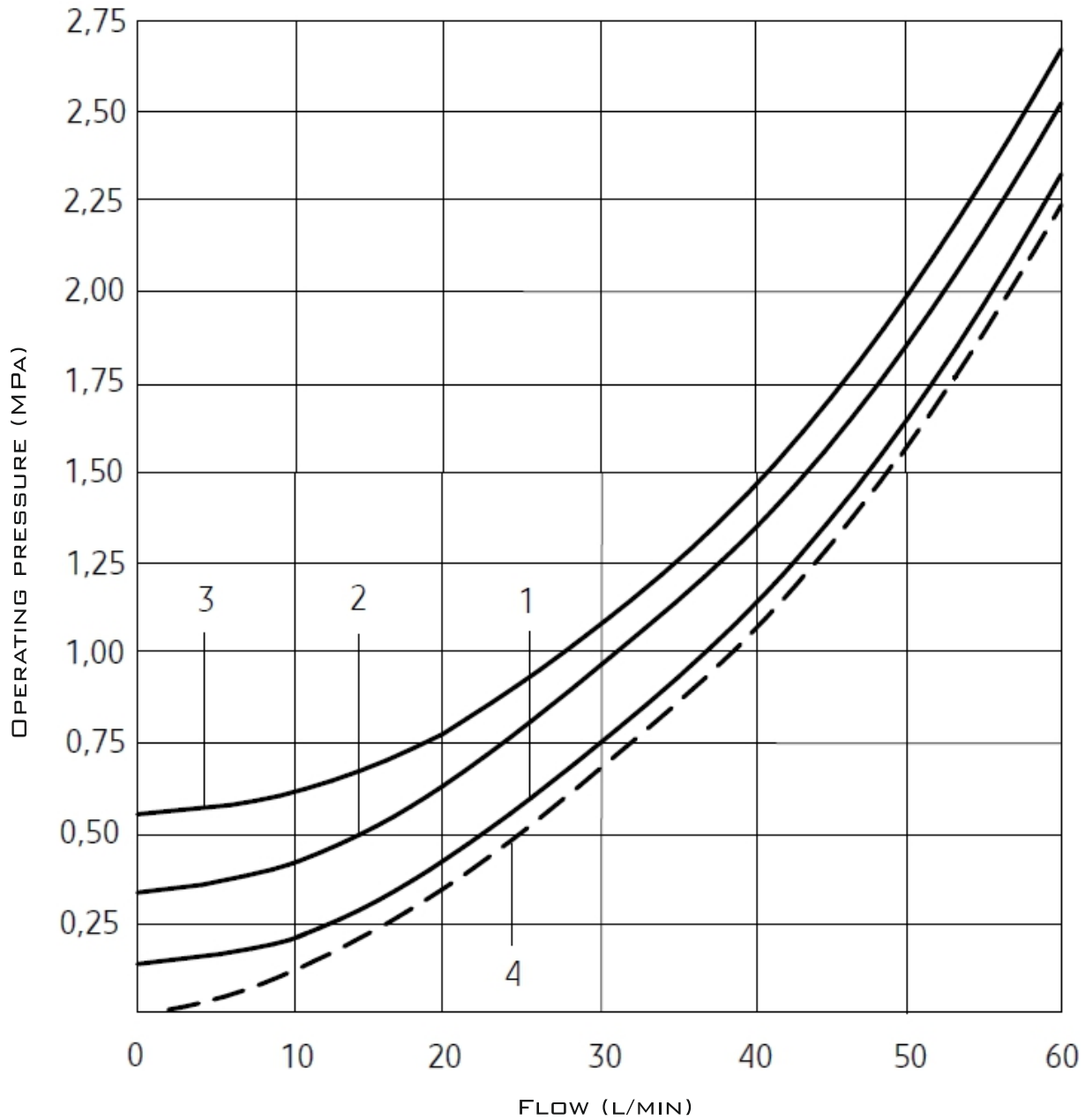
**TECHNICAL DATA**

SIZE	6
OPERATING PRESSURE (MPA)	31.5
MAX. FLOW RATE (L/MIN)	60
FLUID TEMPERATURE (°C)	-30 - 80
WEIGHT (KG)	1
VALVE BODY (MATERIAL)	CASTING PHOSPHATING SURFACE

**SCHEMES**



## CHARACTERISTIC CURVES



- 1 CURVE – OPENING PRESSURE 0.15 MPA, FLOW DIRECTION A1 → A, B1 → B;  
 2 CURVE – OPENING PRESSURE 0.3 MPA, FLOW DIRECTION A1 → A, B1 → B;  
 3 CURVE – OPENING PRESSURE 0.6 MPA, FLOW DIRECTION A1 → A, B1 → B;  
 4 CURVE – FLOW DIRECTION A → A1, B → B1.

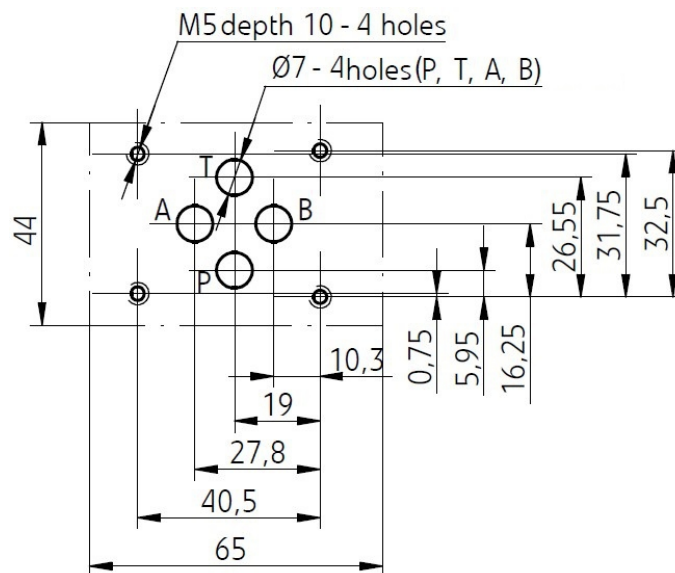
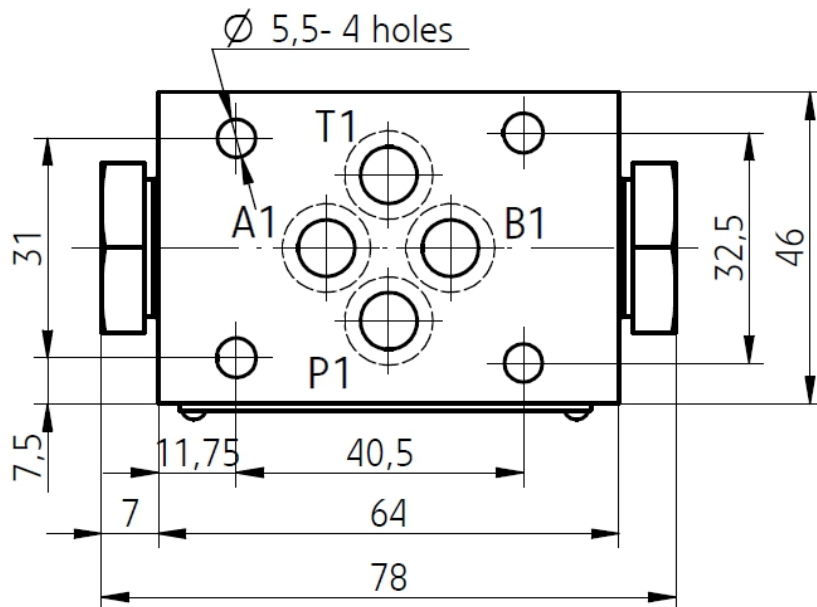
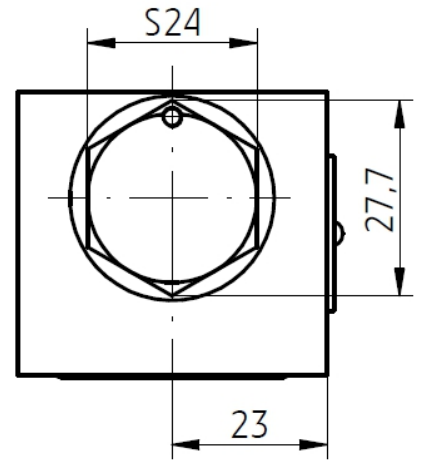
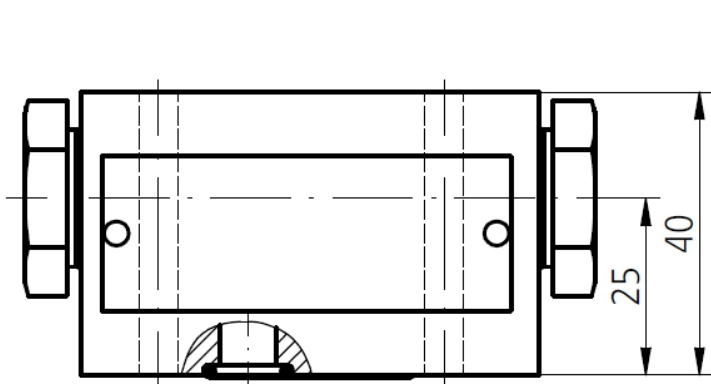


VALVOLE DI RITEGNO

Z2S6

PILOT OPERATED CHECK VALVES

SUBPLATE INSTALLATION DIMENSIONS



**Z2S6**

VALVOLE DI RITEGNO



PILOT OPERATED CHECK VALVES

**ORDER CODE**

Z2S	6					
-----	---	--	--	--	--	--

6=6 SIZE

NO CODE=PORT A, B WITH CHECK VALVE  
A=PORT A WITH CHECK VALVE  
B=PORT B WITH CHECK VALVE

1=OPENING PRESSURE 0.15 MPA  
2=OPENING PRESSURE 0.3 MPA  
3=OPENING PRESSURE 0.6 MPA

NO CODE=MINERAL  
SUBSTANCE HYDRAULIC OIL  
V=PHOSPHATE EATER  
HYDRAULIC OIL

40=40 SERIES  
60=60 SERIES