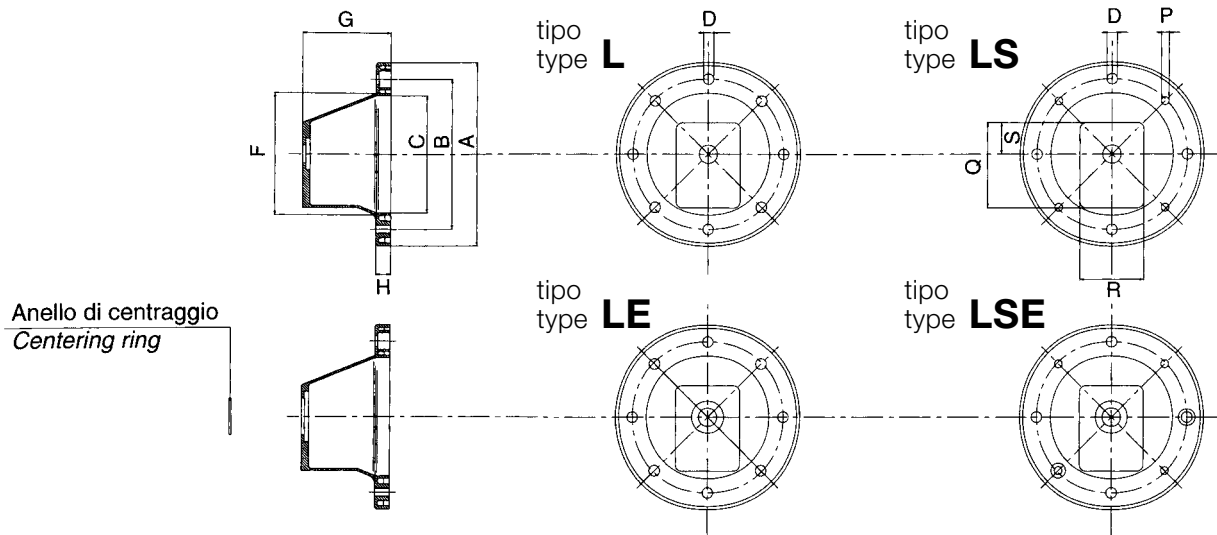


TIPOLOGIA DELLE LANTERNE DISPONIBILI / TYPE OF AVAILABLE BELLHOUSINGS



- L** 8 fori passanti lato motore
8 passing holes on motor side
- LS** 4 fori passanti + 4 fori filettati lato motore
4 passing holes + 4 threaded holes on motor side

- LE** 8 fori passanti lato motore e anello di centraggio in lamiera per estrazione del giunto
8 passing holes on motor side + sheet metal centering ring for the extraction of the coupling.
- LSE** 4 fori passanti + 4 fori filettati lato motore e anello di centraggio in lamiera per estrazione del giunto
4 passing holes + 4 threaded holes on motor side + sheet metal centering ring for the extraction of the coupling.

Tabella / Table 20

| Potenza motore 4 poli 1450 giri/1' | | | Semigiunto lato motore Motor side halfcoupling | | | | | | |
|---------------------------------------|----------------|------|---|------------------------------|-----|------|----|----|------|
| Motor power 4 poles 1450 revs/min | | | Codice Part number | Dimensioni / Dimensions (mm) | | | | | |
| kW | Taglia Size | HP | | A | C | G | D | CH | T |
| 0,12 | 63 | 0,16 | ND 48A | 48 | 30 | 19 | 11 | 4 | 12,8 |
| 0,18 | | 0,25 | | | | | | | |
| 0,25 | 71 | 0,35 | ND 48B | 48 | 30 | 29 | 14 | 5 | 16,3 |
| 0,37 | | 0,55 | | | | | | | |
| 0,55 | 80 | 0,75 | ND 48C | 48 | 38 | 54 | 19 | 6 | 21,8 |
| 0,75 | | 1,1 | | | | | | | |
| 1,1 | 90 | 1,5 | ND 48D | 48 | 38 | 54 | 24 | 8 | 27,3 |
| 1,5 | | 2 | | | | | | | |
| 0,55 | 80 | 0,75 | ND 65A | 65 | 42 | 47,5 | 19 | 6 | 21,8 |
| 0,75 | | 1,1 | | | | | | | |
| 1,1 | 90 | 1,5 | ND 65B | 65 | 48 | 47,5 | 24 | 8 | 27,3 |
| 1,5 | | 2 | | | | | | | |
| 2,2 | 100 | 3 | ND 65C | 65 | 53 | 57,5 | 28 | 8 | 31,3 |
| 4 | | 5,5 | | | | | | | |
| 2,2 | 100 | 3 | ND 86A | 86 | 55 | 60 | 28 | 8 | 31,3 |
| 4 | | 5,5 | | | | | | | |
| 5,5 | 132 | 7,5 | ND 86B | 86 | 73 | 88 | 38 | 10 | 41,3 |
| 9 | | 12,5 | | | | | | | |
| 5,5 | 132 | 7,5 | ND 108A | 108 | 73 | 77 | 38 | 10 | 41,3 |
| 9 | | 12,5 | | | | | | | |
| 11 | 160 | 15 | ND 108B | 108 | 84 | 110 | 42 | 12 | 45,3 |
| 15 | | 20 | | | | | | | |
| 18,5 | 180 | 25 | ND 108C | 108 | 100 | 110 | 48 | 14 | 51,8 |
| 22 | | 30 | | | | | | | |
| 30 | 200 | 40 | ND 108D | 108 | 100 | 110 | 55 | 16 | 59,3 |
| 30 | | 40 | | | | | | | |
| 30 | 200 | 40 | ND 143B | 143 | 106 | 110 | 55 | 16 | 59,3 |
| 30 | | 40 | | | | | | | |
| 37 | 225 | 50 | ND 143C | 143 | 137 | 140 | 60 | 18 | 64,4 |
| 45 | | 60 | | | | | | | |

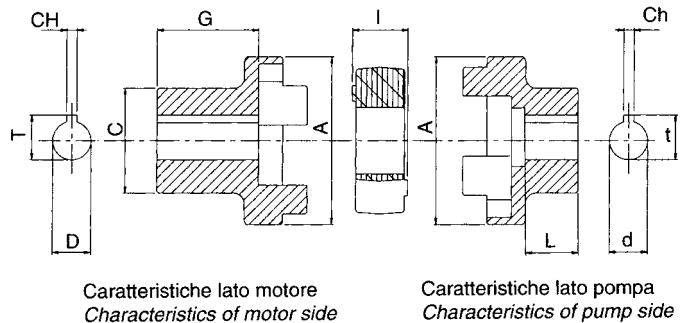


Tabella / Table 21

| Rif. pompa Pump code | Dimensioni (mm) lato pompa / Dimensions (mm) pump side | | | | |
|-------------------------|--|------|------|------|------|
| | Tipo / Type | d | Ch | t | L |
| 05 M | cilindrico / cylindric | 6 | 2 | 7 | 10 |
| 05 GT | cilindrico / cylindric | 7 | 2 | 8 | 10 |
| 1 C | cilindrico / cylindric | 12 | 3 | 13,3 | 13,5 |
| U1P | con 1:8 / taper 1:8 | 9,7 | 2,4 | 10,5 | 15 |
| 1M | con 1:8 / taper 1:8 | 13,9 | 3 | 15,5 | 18,5 |
| 2 (CA) | con 1:8 / taper 1:8 | 17,2 | 3,2 | 18,5 | 23 |
| 2 (U) | con 1:8 / taper 1:8 | 17,2 | 4 | 18,5 | 23 |
| 3U | con 1:8 / taper 1:8 | 22,2 | 4 | 23,6 | 28 |
| 35 (U) | con 1:8 / taper 1:8 | 25,6 | 4,76 | 27,8 | 35 |
| 35 (M) | con 1:8 / taper 1:8 | 25,6 | 5 | 27,8 | 35 |
| 4 (U) | con 1:8 / taper 1:8 | 33,3 | 6,35 | 35,5 | 45 |
| 4 (M/T) | con 1:8 / taper 1:8 | 33,3 | 7 | 35,5 | 45 |
| ZB | con 1:5 / taper 1:5 | 9,8 | 2 | 10,2 | 12 |
| ZF | con 1:5 / taper 1:5 | 16,9 | 3 | 17,7 | 19 |
| ZG | con 1:5 / taper 1:5 | 25,2 | 5 | 26,3 | 29 |

MOTORI FLANGIA B3-B5 / MOTORS WITH FLANGE B3-B5

| Motore 4 poli 1450 giri/1' Motor power 4 p. 1450 revs/min | | | Rif. pompa Pump code | Lanterna Bellhousing | | | | Dimensione lanterna (mm) Dimensions of bellhousing (mm) | | | | | | | | Giunto completo serie ND Complete coupling ND series | | Semigiunto motore Halfcoupling motor side | Inserto elastico Rubber spider | Semigiunto pompa Halfcoupling pump side | Anelli di centraggio Centering ring | Piedino Foot flange | Anello Amm. Suitable damping ring | | | | | | | | | |
|--|----------------|-------------------|-------------------------------|-------------------------|---------------|-------|-------|--|------|-----|-----|-----|-----|-----|-----|---|-----|--|---|--|---|------------------------|---|-----------------------|---|------------------------|---|----------|--------|---|---|---|
| kW | Taglia Size | HP | | LE | LSE | L | LS | A | B | C | D | F | G | H | P | Q | R | S | Codice Part number | H | Codice Part number | Codice Part num. | I | Codice Part number | Anelli di centraggio Centering ring | Piedino Foot flange | Anello Amm. Suitable damping ring | | | | | |
| 0,12 ÷ 0,18 | 63 | 0,16 ÷ 0,25 | 05 M | - | - | 1401 | 140 | 140 | 115 | 95 | 10 | 100 | 60 | 11 | M8 | 90 | 69 | 34 | ND 01 | 54 | ND 48A | R-42 | 16 | ND 48P05M | - | - | - | - | - | | | |
| | | | 05 GT | - | - | 1401 | 140 | 140 | 115 | 95 | 10 | 100 | 60 | 11 | M8 | 90 | 69 | 34 | ND 02 | 54 | ND 48A | R-42 | 16 | ND 48P05GT | - | - | - | - | - | | | |
| | | | U 1 P | 1402 | 141 | 1402 | 141 | 140 | 140 | 115 | 95 | 10 | 100 | 60 | 11 | M8 | 90 | 69 | 34 | ND 03 | 52 | ND 48A | R-42 | 16 | ND 48PU1P | RC1-254 | - | - | - | - | | |
| | | | 1 C | 1403 | 142 | 1403 | 142 | 140 | 140 | 115 | 95 | 10 | 100 | 60 | 11 | M8 | 90 | 69 | 34 | ND 04 | 52 | ND 48A | R-42 | 16 | ND 48P1C | RC1-30 | - | - | - | - | | |
| | | | 1 M | 1403 | 142 | 1403 | 142 | 140 | 140 | 115 | 95 | 10 | 100 | 60 | 11 | M8 | 90 | 69 | 34 | ND 05 | 52 | ND 48A | R-42 | 16 | ND 48P1M | RC1-30 | - | - | - | - | | |
| | | | ZB | - | - | LB18 | LBS18 | 140 | 140 | 115 | 95 | 10 | 100 | 60 | 11 | M8 | 90 | 69 | 34 | ND 198 | 52 | ND 48A | R-42 | 16 | ND 48PZB | - | - | - | - | - | | |
| 0,25 ÷ 0,37 | 71 | 0,35 ÷ 0,55 | 05 M | - | - | 1601 | 160 | 160 | 130 | 110 | 10 | 110 | 70 | 14 | M8 | 90 | 69 | 34 | ND 1 | 64 | ND 48B | R-42 | 16 | ND 48P05M | - | - | - | - | - | | | |
| | | | 05 GT | - | - | 1601 | 160 | 160 | 130 | 110 | 10 | 110 | 70 | 14 | M8 | 90 | 69 | 34 | ND 1A | 64 | ND 48B | R-42 | 16 | ND 48P05GT | - | - | - | - | - | | | |
| | | | U 1 P | 1602 | 161 | 1602 | 161 | 160 | 160 | 130 | 110 | 10 | 110 | 70 | 14 | M8 | 90 | 69 | 34 | ND 2 | 62 | ND 48B | R-42 | 16 | ND 48PU1P | RC1-254 | - | - | - | - | | |
| | | | 1 C | 1603 | 162 | 1603 | 162 | 160 | 160 | 130 | 110 | 10 | 110 | 70 | 14 | M8 | 90 | 69 | 34 | ND 3 | 62 | ND 48B | R-42 | 16 | ND 48P1C | RC1-30 | - | - | - | - | | |
| | | | 1 M | 1603 | 162 | 1603 | 162 | 160 | 160 | 130 | 110 | 10 | 110 | 70 | 14 | M8 | 90 | 69 | 34 | ND 3A | 62 | ND 48B | R-42 | 16 | ND 48P1M | RC1-30 | - | - | - | - | | |
| | | | ZB | - | - | LB19 | LBS19 | 160 | 160 | 130 | 110 | 10 | 110 | 70 | 14 | M8 | 90 | 69 | 34 | ND 199 | 62 | ND 48B | R-42 | 16 | ND 48PZB | - | - | - | - | - | | |
| 0,55 ÷ 0,75 | 80 | 0,75 ÷ 1 | 05 M | - | - | 2101 | 210 | 200 | 165 | 130 | 12 | 135 | 87 | 15 | M10 | 90 | 69 | 34 | ND 4B | 81 | ND 48CG45 | R-42 | 16 | ND 48P05M | - | - | - | - | - | | | |
| | | | 05 GT | - | - | 2101 | 210 | 200 | 165 | 130 | 12 | 135 | 87 | 15 | M10 | 90 | 69 | 34 | ND 4C | 81 | ND 48CG45 | R-42 | 16 | ND 48P05GT | - | - | - | - | - | | | |
| | | | U 1 P | 2102 | 211 | 2102 | 211 | 200 | 200 | 165 | 130 | 12 | 135 | 87 | 15 | M10 | 90 | 69 | 34 | ND 5A | 78 | ND 48CG45 | R-42 | 16 | ND 48PU1P | RC1-254 | - | - | - | - | | |
| | | | 1 C | 2103 | 212 | 2103 | 212 | 200 | 200 | 165 | 130 | 12 | 135 | 87 | 15 | M10 | 90 | 69 | 34 | ND 6B | 78 | ND 48CG45 | R-42 | 16 | ND 48P1C | RC1-30 | - | - | - | - | | |
| | | | 1 M | 2103 | 212 | 2103 | 212 | 200 | 200 | 165 | 130 | 12 | 135 | 87 | 15 | M10 | 90 | 69 | 34 | ND 6C | 78 | ND 48CG45 | R-42 | 16 | ND 48P1M | RC1-30 | - | - | - | - | | |
| | | | ZB | - | - | LB28 | LBS28 | 200 | 200 | 165 | 130 | 12 | 135 | 87 | 15 | M10 | 90 | 69 | 34 | ND 300 | 78 | ND 48CG45 | R-42 | 16 | ND 48PZB | - | - | - | - | | | |
| | | | 05 M | - | - | 2001 | 200 | 200 | 165 | 130 | 12 | 135 | 95 | 15 | M10 | 90 | 69 | 34 | ND 4 | 89 | ND 48C | R-42 | 16 | ND 48P05M | - | - | - | - | - | | | |
| | | | 05 GT | - | - | 2001 | 200 | 200 | 165 | 130 | 12 | 135 | 95 | 15 | M10 | 90 | 69 | 34 | ND 4A | 89 | ND 48C | R-42 | 16 | ND 48P05GT | - | - | - | - | - | | | |
| | | | U 1 P | 2002 | 201 | 2002 | 201 | 200 | 200 | 165 | 130 | 12 | 135 | 95 | 15 | M10 | 90 | 69 | 34 | ND 5 | 87 | ND 48C | R-42 | 16 | ND 48PU1P | RC1-254 | - | - | - | - | | |
| | | | 1 C | 2003 | 202 | 2003 | 202 | 200 | 200 | 165 | 130 | 12 | 135 | 95 | 15 | M10 | 90 | 69 | 34 | ND 6 | 87 | ND 48C | R-42 | 16 | ND 48P1C | RC1-30 | - | - | - | - | | |
| | | | 1 M | 2003 | 202 | 2003 | 202 | 200 | 200 | 165 | 130 | 12 | 135 | 95 | 15 | M10 | 90 | 69 | 34 | ND 6A | 87 | ND 48C | R-42 | 16 | ND 48P1M | RC1-30 | - | - | - | - | | |
| | | | ZB | - | - | LB20 | LBS20 | 200 | 200 | 165 | 130 | 12 | 135 | 95 | 15 | M10 | 90 | 69 | 34 | ND 200 | 87 | ND 48C | R-42 | 16 | ND 48PZB | - | - | - | - | | | |
| | | | 2 | 2004 | 203 | 2004 | 203 | 200 | 200 | 165 | 130 | 12 | 135 | 95 | 15 | M10 | 118 | 86 | 43 | ND 7 | 87 | ND 65A | R-62 | 18 | ND 65P2 | RC1-365 | - | - | - | - | | |
| | | | ZF | - | - | LB21 | LBS21 | 200 | 200 | 165 | 130 | 12 | 135 | 95 | 15 | M10 | 118 | 86 | 43 | ND 202 | 87 | ND 65A | R-62 | 18 | ND 65P2 | - | - | - | - | | | |
| | | | T 250 | 2005 | 205 | - | - | 200 | 200 | 165 | 130 | 12 | 135 | 126 | 16 | M10 | 180 | 158 | 65 | ND 50A | 116 | ND 86HD20 | R-82 | 20 | ND 65PZF | RC2-508 | - | - | - | - | | |
| | | | 3 U | 2006 | 206 | - | - | 200 | 200 | 165 | 130 | 12 | 135 | 126 | 16 | M10 | 180 | 158 | 65 | ND 50A | 116 | ND 86HD20 | R-82 | 20 | ND 86H3U | RC2-508 | - | - | - | - | | |
| | | | M 3 | 2007 | 207 | - | - | 200 | 200 | 165 | 130 | 12 | 135 | 126 | 16 | M10 | 180 | 158 | 65 | ND 50A | 116 | ND 86HD20 | R-82 | 20 | ND 86H3U | RC2-508 | - | - | - | - | | |
| | | | T 3 | 2008 | 208 | - | - | 200 | 200 | 165 | 130 | 12 | 135 | 126 | 16 | M10 | 180 | 158 | 65 | ND 50A | 116 | ND 86HD20 | R-82 | 20 | ND 86H3U | RC2-508 | - | - | - | - | | |
| | | | 35 M | 2009 | 209 | - | - | 200 | 200 | 165 | 130 | 12 | 135 | 126 | 16 | M10 | 180 | 158 | 65 | ND 50B | 116 | ND 86HD20 | R-82 | 20 | ND 86H35 | RC2-60 | - | - | - | - | | |
| | | | 35 G | 2010 | 213 | - | - | 200 | 200 | 165 | 130 | 12 | 135 | 126 | 16 | M10 | 180 | 158 | 65 | ND 50B | 116 | ND 86HD20 | R-82 | 20 | ND 86H35 | RC2-603 | - | - | - | - | | |
| | | | 35 U | 2010 | 213 | - | - | 200 | 200 | 165 | 130 | 12 | 135 | 126 | 16 | M10 | 180 | 158 | 65 | ND 50B | 116 | ND 86HD20 | R-82 | 20 | ND 86H35 | RC2-603 | - | - | - | - | | |
| | | | ZG | - | - | 2011 | 214 | 200 | 200 | 165 | 130 | 12 | 135 | 126 | 16 | M10 | 180 | 158 | 65 | ND 50D | 116 | ND 86HD20 | R-82 | 20 | ND 86HZG | - | - | - | - | - | | |
| | | | 1,1 ÷ 1,5 | 90 | 1,5 ÷ 2 | U 1 P | 2002 | 201 | 2002 | 201 | 200 | 165 | 130 | 12 | 135 | 95 | 15 | M10 | 90 | 69 | 34 | ND 70A | 87 | ND 48D | R-42 | 16 | ND 48PU1P | RC1-254 | - | - | - | - |
| | | | | | | 1 C | 2003 | 202 | 2003 | 202 | 200 | 200 | 165 | 130 | 12 | 135 | 95 | 15 | M10 | 90 | 69 | 34 | ND 70B | 87 | ND 48D | R-42 | 16 | ND 48P1C | RC1-30 | - | - | - |
| 1 M | 2003 | 202 | | | | 2003 | 202 | 200 | 200 | 165 | 130 | 12 | 135 | 95 | 15 | M10 | 90 | 69 | 34 | ND 70C | 87 | ND 48D | R-42 | 16 | ND 48P1M | RC1-30 | - | - | - | - | | |
| ZB | - | - | | | | LB20 | LBS20 | 200 | 200 | 165 | 130 | 12 | 135 | 95 | 15 | M10 | 90 | 69 | 34 | ND 70D | 87 | ND 48D | R-42 | 16 | ND 48PZB | - | - | - | - | | | |
| U 1 P | 2002 | 201 | | | | 2002 | 201 | 200 | 200 | 165 | 130 | 12 | 135 | 95 | 15 | M10 | 90 | 69 | 34 | ND 8 | 87 | ND 65B | R-62 | 18 | ND 65PU1P | RC1-254 | - | - | - | - | | |
| 1 C | 2003 | 202 | | | | 2003 | 202 | 200 | 200 | 165 | 130 | 12 | 135 | 95 | 15 | M10 | 90 | 69 | 34 | ND 9 | 87 | ND 65B | R-62 | 18 | ND 65P1C | RC1-30 | - | - | - | - | | |
| 1 M | 2003 | 202 | | | | 2003 | 202 | 200 | 200 | 165 | 130 | 12 | 135 | 95 | 15 | M10 | 90 | 69 | 34 | ND 9A | 87 | ND 65B | R-62 | 18 | ND 65P1M | RC1-30 | - | - | - | - | | |
| ZB | - | - | | | | LB20 | LBS20 | 200 | 200 | 165 | 130 | 12 | 135 | 95 | 15 | M10 | 90 | 69 | 34 | ND 201 | 87 | ND 65B | R-62 | 18 | ND 65PZB | - | - | - | - | | | |
| ZF | 2004 | 203 | | | | 2004 | 203 | 200 | 200 | 165 | 130 | 12 | 135 | 95 | 15 | M10 | 118 | 86 | 43 | ND 10 | 87 | ND 65B | R-62 | 18 | ND 65P2 | RC1-365 | - | - | - | - | | |
| 2 | - | - | | | | LB21 | LBS21 | 200 | 200 | 165 | 130 | 12 | 135 | 95 | 15 | M10 | 118 | 86 | 43 | ND 203 | 87 | ND 65B | R-62 | 18 | ND 65PZF | - | - | - | - | | | |
| T 250 | 2005 | 205 | | | | - | - | 200 | 200 | 165 | 130 | 12 | 135 | 126 | 16 | M10 | 180 | 158 | 65 | ND 51A | 116 | ND 86HD31 | R-82 | 20 | ND 86H3U | RC2-508 | - | - | - | - | | |
| 3 U | 2006 | 206 | | | | - | - | 200 | 200 | 165 | 130 | 12 | 135 | 126 | 16 | M10 | 180 | 158 | 65 | ND 51A | 116 | ND 86HD31 | R-82 | 20 | ND 86H3U | RC2-508 | - | - | - | - | | |
| M 3 | 2007 | 207 | | | | - | - | 200 | 200 | 165 | 130 | 12 | 135 | 126 | 16 | M10 | 180 | 158 | 65 | ND 51A | 116 | ND 86HD31 | R-82 | 2 | | | | | | | | |

MOTORI FLANGIA B3-B5 / MOTORS WITH FLANGE B3-B5

| kW | Taglia Size | HP | Motore 4 poli 1450 giri/1' Motor power 4 p. 1450 revs/min | Rif. pompa Pump code | Lanterna Bellhousing | | | | Dimensione lanterna (mm) Dimensions of bellhousing (mm) | | | | | | | | Giunto completo serie ND Complete coupling ND series | Semigiunto Pompa Halfcoupling pump side | Inserto elastico Rubber spider | Semigiunto pompa Halfcoupling pump side | Piedino Foot flange | Anello Amm. Suitable damping ring | | | | | |
|-------------------|-----------------|-------------------|--|-------------------------|-------------------------|------|-------|-----|--|-----|-----|-----|-----|----|-----|---------|---|--|---|--|------------------------|---|-------|-------------|-------------|-----------------------|---------|
| | | | | | LE | LSE | L | LS | A | B | C | D | F | G | H | P | | | | | | | Q | R | S | Codice Part number | H |
| 0,12 ÷ 0,18 | 63 | 0,16 ÷ 0,25 | 05 M | - | - | 1401 | 140 | 140 | 140 | 115 | 95 | 10 | 100 | 60 | 11 | M8 | 90 | 69 | 34 | AGN 01 | 50 | OMT 1023C02 | POL-1 | 4 | OMT 1023M05 | P - 160 | |
| | | | 05 GT | - | - | 1401 | 140 | 140 | 140 | 115 | 95 | 10 | 100 | 60 | 11 | M8 | 90 | 69 | 34 | AGN 02 | 50 | OMT 1023C02 | POL-1 | 4 | OMT 1023G05 | | |
| | | | U 1 P | 1402 | 141 | 1402 | 141 | 140 | 115 | 95 | 10 | 100 | 60 | 11 | M8 | 90 | 69 | 34 | AGN 03 | 50 | OMT 1023C02 | POL-1 | 4 | OMT 1023U1P | | | |
| | | | 1 C | 1403 | 142 | 1403 | 142 | 140 | 115 | 95 | 10 | 100 | 60 | 11 | M8 | 90 | 69 | 34 | AGN 04 | 50 | OMT 1023C02 | POL-1 | 4 | OMT 1023C1 | | | |
| | | | 1 M | 1403 | 142 | 1403 | 142 | 140 | 115 | 95 | 10 | 100 | 60 | 11 | M8 | 90 | 69 | 34 | AGN 05 | 50 | OMT 1023C02 | POL-1 | 4 | OMT 1023M1 | | | |
| | | | ZB | - | - | LB18 | LBS18 | 140 | 115 | 95 | 10 | 100 | 60 | 11 | M8 | 90 | 69 | 34 | AGN 198 | 50 | OMT 1023C02 | POL-1 | 4 | OMT 1023ZB | | | |
| 0,25 ÷ 0,37 | 71 | 0,35 ÷ 0,55 | 05 M | - | - | 1601 | 160 | 160 | 160 | 130 | 110 | 10 | 110 | 70 | 14 | M8 | 90 | 69 | 34 | AGN 1 | 57 | OMT 1030C07 | POL-1 | 4 | OMT 1023M05 | P - 160 | |
| | | | 05 GT | - | - | 1601 | 160 | 160 | 160 | 130 | 110 | 10 | 110 | 70 | 14 | M8 | 90 | 69 | 34 | AGN 1A | 57 | OMT 1030C07 | POL-1 | 4 | OMT 1023G05 | | |
| | | | U 1 P | 1602 | 161 | 1602 | 161 | 160 | 130 | 110 | 10 | 110 | 70 | 14 | M8 | 90 | 69 | 34 | AGN 2 | 57 | OMT 1030C07 | POL-1 | 4 | OMT 1023U1P | | | |
| | | | 1 C | 1603 | 162 | 1603 | 162 | 160 | 130 | 110 | 10 | 110 | 70 | 14 | M8 | 90 | 69 | 34 | AGN 3 | 57 | OMT 1030C07 | POL-1 | 4 | OMT 1023C1 | | | |
| | | | 1 M | 1603 | 162 | 1603 | 162 | 160 | 130 | 110 | 10 | 110 | 70 | 14 | M8 | 90 | 69 | 34 | AGN 3A | 57 | OMT 1030C07 | POL-1 | 4 | OMT 1023M1 | | | |
| | | | ZB | - | - | LB19 | LBS19 | 160 | 130 | 110 | 10 | 110 | 70 | 14 | M8 | 90 | 69 | 34 | AGN 199 | 57 | OMT 1030C07 | POL-1 | 4 | OMT 1023ZB | | | |
| 0,55 ÷ 0,75 | 80 | 0,75 ÷ 1 | 05 M | - | - | 2101 | 210 | 210 | 200 | 165 | 130 | 12 | 135 | 87 | 15 | M10 | 90 | 69 | 34 | AGN 4 | 70 | OMT 2033C20 | POL-2 | 4 | OMT 2033M05 | P - 200 | A - 200 |
| | | | 05 GT | - | - | 2101 | 210 | 210 | 200 | 165 | 130 | 12 | 135 | 87 | 15 | M10 | 90 | 69 | 34 | AGN 4A | 70 | OMT 2033C20 | POL-2 | 4 | OMT 2033G05 | | |
| | | | U 1 P | 2102 | 211 | 2102 | 211 | 200 | 165 | 130 | 12 | 135 | 87 | 15 | M10 | 90 | 69 | 34 | AGN 5 | 70 | OMT 2033C20 | POL-2 | 4 | OMT 2033U1P | | | |
| | | | 1 C | 2103 | 212 | 2103 | 212 | 200 | 165 | 130 | 12 | 135 | 87 | 15 | M10 | 90 | 69 | 34 | AGN 6 | 70 | OMT 2033C20 | POL-2 | 4 | OMT 2033C1 | | | |
| | | | 1 M | 2103 | 212 | 2103 | 212 | 200 | 165 | 130 | 12 | 135 | 87 | 15 | M10 | 90 | 69 | 34 | AGN 6A | 70 | OMT 2033C20 | POL-2 | 4 | OMT 2033M1 | | | |
| | | | ZB | - | - | LB28 | LBS28 | 200 | 165 | 130 | 12 | 135 | 87 | 15 | M10 | 90 | 69 | 34 | AGN 200 | 70 | OMT 2033C20 | POL-2 | 4 | OMT 2033ZB | | | |
| | | | 05 M | - | - | 2001 | 200 | 200 | 165 | 130 | 12 | 135 | 95 | 15 | M10 | 90 | 69 | 34 | AGN 4 | 70 | OMT 2033C20 | POL-2 | 4 | OMT 2033M05 | | | |
| | | | 05 GT | - | - | 2001 | 200 | 200 | 165 | 130 | 12 | 135 | 95 | 15 | M10 | 90 | 69 | 34 | AGN 4A | 70 | OMT 2033C20 | POL-2 | 4 | OMT 2033G05 | | | |
| | | | U 1 P | 2002 | 201 | 2002 | 201 | 200 | 165 | 130 | 12 | 135 | 95 | 15 | M10 | 90 | 69 | 34 | AGN 5 | 70 | OMT 2033C20 | POL-2 | 4 | OMT 2033U1P | | | |
| | | | 1 C | 2003 | 202 | 2003 | 202 | 200 | 165 | 130 | 12 | 135 | 95 | 15 | M10 | 90 | 69 | 34 | AGN 6 | 70 | OMT 2033C20 | POL-2 | 4 | OMT 2033C1 | | | |
| | | | 1 M | 2003 | 202 | 2003 | 202 | 200 | 165 | 130 | 12 | 135 | 95 | 15 | M10 | 90 | 69 | 34 | AGN 6A | 70 | OMT 2033C20 | POL-2 | 4 | OMT 2033M1 | | | |
| | | | ZB | - | - | LB20 | LBS20 | 200 | 165 | 130 | 12 | 135 | 95 | 15 | M10 | 90 | 69 | 34 | AGN 200 | 70 | OMT 2033C20 | POL-2 | 4 | OMT 2033ZB | | | |
| | | | 2 CA | 2004 | 203 | 2004 | 203 | 200 | 165 | 130 | 12 | 135 | 95 | 15 | M10 | 118 | 86 | 43 | AGN 7 | 70 | OMT 2033C20 | POL-2 | 4 | OMT 2033CA2 | | | |
| | | | 2 U | 2004 | 203 | 2004 | 203 | 200 | 165 | 130 | 12 | 135 | 95 | 15 | M10 | 118 | 86 | 43 | AGN 7A | 70 | OMT 2033C20 | POL-2 | 4 | OMT 2033U2 | | | |
| ZF | - | - | LB21 | LBS21 | 200 | 165 | 130 | 12 | 135 | 95 | 15 | M10 | 118 | 86 | 43 | AGN 202 | 70 | OMT 2033C20 | POL-2 | 4 | OMT 2033ZF | | | | | | |
| 1,1 ÷ 1,5 | 90 | 1,5 ÷ 2 | U 1 P | 2002 | 201 | 2002 | 201 | 200 | 165 | 130 | 12 | 135 | 95 | 15 | M10 | 90 | 69 | 34 | AGN 8 | 70 | OMT 2033C31 | POL-2 | 4 | OMT 2033U1P | P - 200 | A - 200 | |
| | | | 1 C | 2003 | 202 | 2003 | 202 | 200 | 165 | 130 | 12 | 135 | 95 | 15 | M10 | 90 | 69 | 34 | AGN 9 | 70 | OMT 2033C31 | POL-2 | 4 | OMT 2033C1 | | | |
| | | | 1 M | 2003 | 202 | 2003 | 202 | 200 | 165 | 130 | 12 | 135 | 95 | 15 | M10 | 90 | 69 | 34 | AGN 9A | 70 | OMT 2033C31 | POL-2 | 4 | OMT 2033M1 | | | |
| | | | ZB | - | - | LB20 | LBS20 | 200 | 165 | 130 | 12 | 135 | 95 | 15 | M10 | 90 | 69 | 34 | AGN 201 | 70 | OMT 2033C31 | POL-2 | 4 | OMT 2033ZB | | | |
| | | | U 1 P | 2002 | 201 | 2002 | 201 | 200 | 165 | 130 | 12 | 135 | 95 | 15 | M10 | 90 | 69 | 34 | AGN 8 | 70 | OMT 2033C31 | POL-2 | 4 | OMT 2033U1P | | | |
| | | | 1 C | 2003 | 202 | 2003 | 202 | 200 | 165 | 130 | 12 | 135 | 95 | 15 | M10 | 90 | 69 | 34 | AGN 9 | 70 | OMT 2033C31 | POL-2 | 4 | OMT 2033C1 | | | |
| | | | 1 M | 2003 | 202 | 2003 | 202 | 200 | 165 | 130 | 12 | 135 | 95 | 15 | M10 | 90 | 69 | 34 | AGN 9A | 70 | OMT 2033C31 | POL-2 | 4 | OMT 2033M1 | | | |
| | | | ZB | - | - | LB20 | LBS20 | 200 | 165 | 130 | 12 | 135 | 95 | 15 | M10 | 90 | 69 | 34 | AGN 201 | 70 | OMT 2033C31 | POL-2 | 4 | OMT 2033ZB | | | |
| | | | 2 CA | 2004 | 203 | 2004 | 203 | 200 | 165 | 130 | 12 | 135 | 95 | 15 | M10 | 118 | 86 | 43 | AGN 10 | 70 | OMT 2033C31 | POL-2 | 4 | OMT 2033CA2 | | | |
| | | | 2 U | 2004 | 203 | 2004 | 203 | 200 | 165 | 130 | 12 | 135 | 95 | 15 | M10 | 118 | 86 | 43 | AGN 10A | 70 | OMT 2033C31 | POL-2 | 4 | OMT 2033U2 | | | |
| | | | ZF | - | - | LB21 | LBS21 | 200 | 165 | 130 | 12 | 135 | 95 | 15 | M10 | 118 | 86 | 43 | AGN 203 | 70 | OMT 2033C31 | POL-2 | 4 | OMT 2033ZF | | | |
| | | | 2 CA | 2004 | 203 | 2004 | 203 | 200 | 165 | 130 | 12 | 135 | 95 | 15 | M10 | 118 | 86 | 43 | AGN 10 | 70 | OMT 2033C31 | POL-2 | 4 | OMT 2033CA2 | | | |
| | | | 2 U | 2004 | 203 | 2004 | 203 | 200 | 165 | 130 | 12 | 135 | 95 | 15 | M10 | 118 | 86 | 43 | AGN 10A | 70 | OMT 2033C31 | POL-2 | 4 | OMT 2033U2 | | | |
| | | | ZF | - | - | LB21 | LBS21 | 200 | 165 | 130 | 12 | 135 | 95 | 15 | M10 | 118 | 86 | 43 | AGN 203 | 70 | OMT 2033C31 | POL-2 | 4 | OMT 2033ZF | | | |
| 2,2 ÷ 4 | 100 ÷ 112 | 3 ÷ 5,5 | U 1 P | 2501 | 250 | 2501 | 250 | 250 | 215 | 180 | 14 | 185 | 105 | 21 | M12 | 118 | 86 | 43 | AGN 11 | 74 | OMT 3040C36 | POL-3 | 4 | OMT 3030U1P | P - 250 | A - 250 | |
| | | | 1 C | 2502 | 251 | 2502 | 251 | 250 | 215 | 180 | 14 | 185 | 105 | 21 | M12 | 118 | 86 | 43 | AGN 12 | 74 | OMT 3040C36 | POL-3 | 4 | OMT 3030C1 | | | |
| | | | 1 M | 2502 | 251 | 2502 | 251 | 250 | 215 | 180 | 14 | 185 | 105 | 21 | M12 | 118 | 86 | 43 | AGN 12A | 74 | OMT 3040C36 | POL-3 | 4 | OMT 3030M1 | | | |
| | | | 2 CA | 2503 | 252 | 2503 | 252 | 250 | 215 | 180 | 14 | 185 | 105 | 21 | M12 | 118 | 86 | 43 | AGN 12B | 74 | OMT 3040C36 | POL-3 | 4 | OMT 3030CA2 | | | |
| | | | 2 U | 2503 | 252 | 2503 | 252 | 250 | 215 | 180 | 14 | 185 | 105 | 21 | M12 | 118 | 86 | 43 | AGN 12C | 74 | OMT 3040C36 | POL-3 | 4 | OMT 3030U2 | | | |
| | | | ZB | - | - | LB22 | LBS22 | 250 | 215 | 180 | 14 | 185 | 105 | 21 | M12 | 118 | 86 | 43 | AGN 204 | 74 | OMT 3040C36 | POL-3 | 4 | OMT 3030ZB | | | |
| | | | ZF | - | - | LB23 | LBS23 | 250 | 215 | 180 | 14 | 185 | 105 | 21 | M12 | 118 | 86 | 43 | AGN 205 | 74 | OMT 3040C36 | POL-3 | 4 | OMT 3030ZF | | | |
| | | | 2 CA | 2504 | 253 | 2504 | 253 | 250 | 215 | 180 | 14 | 185 | 115 | 21 | M12 | 170 | 120 | 59 | AGN 13 | 84 | OMT 3040C36 | POL-3 | 4 | OMT 3040CA2 | | | |
| | | | 2 U | 2504 | 253 | 2504 | 253 | 250 | 215 | 180 | 14 | 185 | 115 | 21 | M12 | 170 | 120 | 59 | AGN 13A | 84 | OMT 3040C36 | POL-3 | 4 | OMT 3040U2 | | | |
| | | | T 250 | 2505 | 254 | 2505 | 254 | 250 | 215 | 180 | 14 | 185 | 115 | 21 | M12 | 170 | 120 | 59 | AGN 14 | 84 | OMT 3040C36 | POL-3 | 4 | OMT 3040U3 | | | |
| | | | 3 U | 2506 | 255 | 2506 | 255 | 250 | 215 | 180 | 14 | 185 | 115 | 21 | M12 | 170 | 120 | 59 | AGN 14 | 84 | OMT 3040C36 | POL-3 | 4 | OMT 3040U3 | | | |
| | | | M 3 | 2507 | 256 | 2507 | 256 | 250 | 215 | 180 | 14 | 185 | 115 | 21 | M12 | 170 | 120 | 59 | AGN 14 | 84 | OMT 3040C36 | POL-3 | 4 | OMT 3040U3 | | | |
| | | | T 3 | 2508 | 257 | 2508 | 257 | 250 | 215 | 180 | 14 | 185 | 115 | 21 | M12 | 170 | 120 | 59 | AGN 14 | 84 | OMT 3040C36 | POL-3 | 4 | OMT 3040 | | | |

MOTORI FLANGIA B3-B5 / MOTORS WITH FLANGE B3-B5

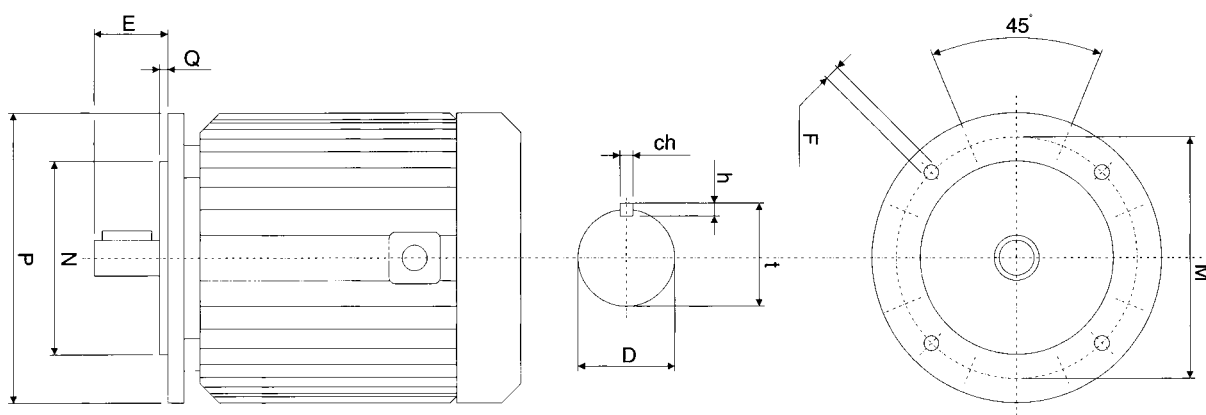
| Motore 4 poli 1450 giri/1' Motor power 4 p. 1450 revs/min | | Rif. pompa Pump code | Lanterna Bellhousing | | | | Dimensione lanterna (mm) Dimensions of bellhousing (mm) | | | | | | | | | | Giunto completo serie ND Complete coupling ND series | | Semigiunto Motore Halfcoupling motor side | | Inserito elastico Rubber spider | | Semigiunto pompa Halfcoupling pump side | | Piedino Foot flange | Anello Amm. Shock damping ring |
|--|----------------|-------------------------|-------------------------|------|---------------|-------|--|-----|-------|------|-----|-----|-----|-----|-----|--------|---|-------------|--|-------|---------------------------------------|---------------------|--|-----------------------|------------------------|--------------------------------------|
| kW | Taglia Size | | HP | LE | LSE | L | LS | A | B | C | D | F | G | H | P | Q | R | S | Codice Part number | H | Codice Part number | Codice Part num. | I | Codice Part number | | |
| 5,5 ÷ 9 | 132 | 7,5 ÷ 12,5 | 2 CA | 3001 | 300 | 3001 | 300 | 300 | 265 | 230 | 14 | 235 | 143 | 21 | M12 | 170 | 120 | 59 | AGN 15 | 104 | OMT 4050C47 | POL-4 | 4 | OMT 4050CA2 | | |
| | | | 2 U | 3001 | 300 | 3001 | 300 | 300 | 265 | 230 | 14 | 235 | 143 | 21 | M12 | 170 | 120 | 59 | AGN 15A | 104 | OMT 4050C47 | POL-4 | 4 | OMT 4050U2 | | |
| | | | T 250 | 3002 | 301 | 3002 | 301 | 300 | 265 | 230 | 14 | 235 | 143 | 21 | M12 | 170 | 120 | 59 | AGN 16 | 104 | OMT 4050C47 | POL-4 | 4 | OMT 4050U3 | | |
| | | | 3 U | 3003 | 302 | 3003 | 302 | 300 | 265 | 230 | 14 | 235 | 143 | 21 | M12 | 170 | 120 | 59 | AGN 16 | 104 | OMT 4050C47 | POL-4 | 4 | OMT 4050U3 | | |
| | | | M 3 | 3004 | 303 | 3004 | 303 | 300 | 265 | 230 | 14 | 235 | 143 | 21 | M12 | 170 | 120 | 59 | AGN 16 | 104 | OMT 4050C47 | POL-4 | 4 | OMT 4050U3 | | |
| | | | T 3 | 3005 | 304 | 3005 | 304 | 300 | 265 | 230 | 14 | 235 | 143 | 21 | M12 | 170 | 120 | 59 | AGN 16 | 104 | OMT 4050C47 | POL-4 | 4 | OMT 4050U3 | | |
| | | | ZF | - | - | LB26 | LBS26 | 300 | 265 | 230 | 14 | 235 | 143 | 21 | M12 | 170 | 120 | 59 | AGN 208 | 104 | OMT 4050C47 | POL-4 | 4 | OMT 4050ZF | | |
| | | | ZG | - | - | LB27 | LBS27 | 300 | 265 | 230 | 14 | 235 | 143 | 21 | M12 | 170 | 120 | 59 | AGN 209 | 104 | OMT 4050C47 | POL-4 | 4 | OMT 4050ZG | | |
| | | | 35 M | 3006 | 305 | 3006 | 305 | 300 | 265 | 230 | 14 | 235 | 143 | 21 | M12 | 180 | 158 | 62 | AGN 17 | 104 | OMT 4050C47 | POL-4 | 4 | OMT 4050G35 | | |
| | | | 35 G | 3007 | 306 | 3007 | 306 | 300 | 265 | 230 | 14 | 235 | 143 | 21 | M12 | 180 | 158 | 62 | AGN 17 | 104 | OMT 4050C47 | POL-4 | 4 | OMT 4050G35 | | |
| | | | 35 U | 3007 | 306 | 3007 | 306 | 300 | 265 | 230 | 14 | 235 | 143 | 21 | M12 | 180 | 158 | 62 | AGN 18 | 104 | OMT 4050C47 | POL-4 | 4 | OMT 4050U35 | | |
| | | | 11 ÷ 15 | 160 | 15 ÷ 20 | 2 CA | - | - | 3511 | 350 | 350 | 300 | 250 | 18 | 253 | 178 | 25 | M16 | 230 | 175 | 77 | AGN 19 | 124 | OMT 5060C51 | POL-5 | 4 |
| 2 U | - | - | | | | 3511 | 350 | 350 | 300 | 250 | 18 | 253 | 178 | 25 | M16 | 230 | 175 | 77 | AGN 19A | 124 | OMT 5060C51 | POL-5 | 4 | OMT 5060U2 | | |
| T 250 | 3512 | 351 | | | | 3512 | 351 | 350 | 300 | 250 | 18 | 253 | 178 | 25 | M16 | 230 | 175 | 77 | AGN 20 | 124 | OMT 5060C51 | POL-5 | 4 | OMT 5060U3 | | |
| 3 U | 3513 | 352 | | | | 3513 | 352 | 350 | 300 | 250 | 18 | 253 | 178 | 25 | M16 | 230 | 175 | 77 | AGN 20 | 124 | OMT 5060C51 | POL-5 | 4 | OMT 5060U3 | | |
| M 3 | 3514 | 353 | | | | 3514 | 353 | 350 | 300 | 250 | 18 | 253 | 178 | 25 | M16 | 230 | 175 | 77 | AGN 20 | 124 | OMT 5060C51 | POL-5 | 4 | OMT 5060U3 | | |
| T 3 | 3515 | 354 | | | | 3515 | 354 | 350 | 300 | 250 | 18 | 253 | 178 | 25 | M16 | 230 | 175 | 77 | AGN 20 | 124 | OMT 5060C51 | POL-5 | 4 | OMT 5060U3 | | |
| ZF | - | - | | | | LB31 | LBS31 | 350 | 300 | 250 | 18 | 253 | 178 | 25 | M16 | 230 | 175 | 77 | AGN 210 | 124 | OMT 5060C51 | POL-5 | 4 | OMT 5060ZF | | |
| ZG | - | - | | | | LB32 | LBS32 | 350 | 300 | 250 | 18 | 253 | 178 | 25 | M16 | 230 | 175 | 77 | AGN 212 | 124 | OMT 5060C51 | POL-5 | 4 | OMT 5060ZG | | |
| 35 M | 3506 | 355 | | | | - | - | 350 | 300 | 250 | 18 | 253 | 188 | 25 | M16 | 230 | 175 | 77 | AGN 21 | 124 | OMT 5060C51 | POL-5 | 4 | OMT 5060G35 | | |
| 35 G | 3507 | 356 | | | | - | - | 350 | 300 | 250 | 18 | 253 | 188 | 25 | M16 | 230 | 175 | 77 | AGN 21 | 124 | OMT 5060C51 | POL-5 | 4 | OMT 5060G35 | | |
| 35 U | 3507 | 356 | | | | - | - | 350 | 300 | 250 | 18 | 253 | 188 | 25 | M16 | 230 | 175 | 77 | AGN 22 | 124 | OMT 5060C51 | POL-5 | 4 | OMT 5060U35 | | |
| 4 M | 3508 | 357 | | | | - | - | 350 | 300 | 250 | 18 | 253 | 188 | 25 | M16 | 230 | 175 | 77 | AGN 23 | 124 | OMT 5060C51 | POL-5 | 4 | OMT 5060M4 | | |
| 4 T | 3508 | 357 | - | - | 350 | 300 | 250 | 18 | 253 | 188 | 25 | M16 | 230 | 175 | 77 | AGN 23 | 124 | OMT 5060C51 | POL-5 | 4 | OMT 5060M4 | | | | | |
| 4 U | 3509 | 358 | - | - | 350 | 300 | 250 | 18 | 253 | 188 | 25 | M16 | 230 | 175 | 77 | AGN 24 | 124 | OMT 5060C51 | POL-5 | 4 | OMT 5060U4 | | | | | |
| 18,5 ÷ 22 | 180 | 25 ÷ 30 | 2 CA | - | - | 3511 | 350 | 350 | 300 | 250 | 18 | 253 | 178 | 25 | M16 | 230 | 175 | 77 | AGN 25 | 124 | OMT 5060C54 | POL-5 | 4 | OMT 5060CA2 | | |
| | | | 2 U | - | - | 3511 | 350 | 350 | 300 | 250 | 18 | 253 | 178 | 25 | M16 | 230 | 175 | 77 | AGN 25A | 124 | OMT 5060C54 | POL-5 | 4 | OMT 5060U2 | | |
| | | | T 250 | 3512 | 351 | 3512 | 351 | 350 | 300 | 250 | 18 | 253 | 178 | 25 | M16 | 230 | 175 | 77 | AGN 26 | 124 | OMT 5060C54 | POL-5 | 4 | OMT 5060U3 | | |
| | | | 3 U | 3513 | 352 | 3513 | 352 | 350 | 300 | 250 | 18 | 253 | 178 | 25 | M16 | 230 | 175 | 77 | AGN 26 | 124 | OMT 5060C54 | POL-5 | 4 | OMT 5060U3 | | |
| | | | M 3 | 3514 | 353 | 3514 | 353 | 350 | 300 | 250 | 18 | 253 | 178 | 25 | M16 | 230 | 175 | 77 | AGN 26 | 124 | OMT 5060C54 | POL-5 | 4 | OMT 5060U3 | | |
| | | | T 3 | 3515 | 354 | 3515 | 354 | 350 | 300 | 250 | 18 | 253 | 178 | 25 | M16 | 230 | 175 | 77 | AGN 26 | 124 | OMT 5060C54 | POL-5 | 4 | OMT 5060U3 | | |
| | | | ZF | - | - | LB31 | LBS31 | 350 | 300 | 250 | 18 | 253 | 178 | 25 | M16 | 230 | 175 | 77 | AGN 211 | 124 | OMT 5060C54 | POL-5 | 4 | OMT 5060ZF | | |
| | | | ZG | - | - | LB32 | LBS32 | 350 | 300 | 250 | 18 | 253 | 178 | 25 | M16 | 230 | 175 | 77 | AGN 213 | 124 | OMT 5060C54 | POL-5 | 4 | OMT 5060ZG | | |
| | | | 35 M | 3506 | 355 | - | - | 350 | 300 | 250 | 18 | 253 | 188 | 25 | M16 | 230 | 175 | 77 | AGN 27 | 124 | OMT 5060C54 | POL-5 | 4 | OMT 5060G35 | | |
| | | | 35 G | 3507 | 356 | - | - | 350 | 300 | 250 | 18 | 253 | 188 | 25 | M16 | 230 | 175 | 77 | AGN 27 | 124 | OMT 5060C54 | POL-5 | 4 | OMT 5060G35 | | |
| | | | 35 U | 3507 | 356 | - | - | 350 | 300 | 250 | 18 | 253 | 188 | 25 | M16 | 230 | 175 | 77 | AGN 28 | 124 | OMT 5060C54 | POL-5 | 4 | OMT 5060U35 | | |
| | | | 4 M | 3508 | 357 | - | - | 350 | 300 | 250 | 18 | 253 | 188 | 25 | M16 | 230 | 175 | 77 | AGN 29 | 124 | OMT 5060C54 | POL-5 | 4 | OMT 5060M4 | | |
| 4 T | 3508 | 357 | - | - | 350 | 300 | 250 | 18 | 253 | 188 | 25 | M16 | 230 | 175 | 77 | AGN 29 | 124 | OMT 5060C54 | POL-5 | 4 | OMT 5060M4 | | | | | |
| 4 U | 3509 | 358 | - | - | 350 | 300 | 250 | 18 | 253 | 188 | 25 | M16 | 230 | 175 | 77 | AGN 30 | 124 | OMT 5060C54 | POL-5 | 4 | OMT 5060U4 | | | | | |
| 30 | 200 | 40 | T 250 | 4001 | 400 | - | - | 400 | 350 | 300 | 18 | 299 | 188 | 25 | M16 | 272 | 247 | 123 | AGN 31 | 150,5 | OMT 6080C56 | POL-6 | 8 | OMT 6062U3 | | |
| | | | 3 U | 4002 | 401 | - | - | 400 | 350 | 300 | 18 | 299 | 188 | 25 | M16 | 272 | 247 | 123 | AGN 31 | 150,5 | OMT 6080C56 | POL-6 | 8 | OMT 6062U3 | | |
| | | | M 3 | 4003 | 402 | - | - | 400 | 350 | 300 | 18 | 299 | 188 | 25 | M16 | 272 | 247 | 123 | AGN 31 | 150,5 | OMT 6080C56 | POL-6 | 8 | OMT 6062U3 | | |
| | | | T 3 | 4004 | 403 | - | - | 400 | 350 | 300 | 18 | 299 | 188 | 25 | M16 | 272 | 247 | 123 | AGN 31 | 150,5 | OMT 6080C56 | POL-6 | 8 | OMT 6062U3 | | |
| | | | 35 M | 4005 | 404 | - | - | 400 | 350 | 300 | 18 | 299 | 188 | 25 | M16 | 272 | 247 | 123 | AGN 32 | 150,5 | OMT 6080C56 | POL-6 | 8 | OMT 6062G35 | | |
| | | | 35 G | 4006 | 405 | - | - | 400 | 350 | 300 | 18 | 299 | 188 | 25 | M16 | 272 | 247 | 123 | AGN 32 | 150,5 | OMT 6080C56 | POL-6 | 8 | OMT 6062G35 | | |
| | | | 35 U | 4006 | 405 | - | - | 400 | 350 | 300 | 18 | 299 | 188 | 25 | M16 | 272 | 247 | 123 | AGN 32A | 150,5 | OMT 6080C56 | POL-6 | 8 | OMT 6062U35 | | |
| | | | 4 M | 4007 | 406 | - | - | 400 | 350 | 300 | 18 | 299 | 188 | 25 | M16 | 272 | 247 | 123 | AGN 33 | 150,5 | OMT 6080C56 | POL-6 | 8 | OMT 6062M4 | | |
| | | | 4 T | 4007 | 406 | - | - | 400 | 350 | 300 | 18 | 299 | 188 | 25 | M16 | 272 | 247 | 123 | AGN 33 | 150,5 | OMT 6080C56 | POL-6 | 8 | OMT 6062M4 | | |
| | | | 4 U | 4008 | 407 | - | - | 400 | 350 | 300 | 18 | 299 | 188 | 25 | M16 | 272 | 247 | 123 | AGN 33A | 150,5 | OMT 6080C56 | POL-6 | 8 | OMT 6062U4 | | |
| | | | ZG | - | - | LB30 | LBS30 | 400 | 350 | 300 | 18 | 299 | 188 | 25 | M16 | 272 | 247 | 123 | AGN 214 | 150,5 | OMT 6080C56 | POL-6 | 8 | OMT 6062ZG | | |
| | | | 37 ÷ 45 | 225 | 50 ÷ 60 | 35 M | - | - | 4501* | 450* | 450 | 400 | 350 | 18 | 350 | 218 | 25 | M16 | 287,5 | 175 | 137,5 | AGN 34 | 150,5 | OMT 6080C57 | POL-6 | 8 |
| 35 G | - | - | | | | 4502* | 451* | 450 | 400 | 350 | 18 | 350 | 218 | 25 | M16 | 287,5 | 175 | 137,5 | AGN 34 | 150,5 | OMT 6080C57 | POL-6 | 8 | OMT 6062G35 | | |
| 35 U | - | - | | | | 4502* | 451* | 450 | 400 | 350 | 18 | 350 | 218 | 25 | M16 | 287,5 | 175 | 137,5 | AGN 34A | 150,5 | OMT 6080C57 | POL-6 | 8 | OMT 6062U35 | | |
| 4 M | - | - | | | | 4503* | 452* | 450 | 400 | 350 | 18 | 350 | 218 | 25 | M16 | 287,5 | 175 | 137,5 | AGN 35 | 150,5 | OMT 6080C57 | POL-6 | 8 | OMT 6062M4 | | |
| 4 T | - | - | | | | 4503* | 452* | 450 | 400 | 3 | | | | | | | | | | | | | | | | |

MOTORI FLANGIA B14 / MOTORS WITH FLANGE B14

| Motore 4 poli 1450 giri/1' Motor power 4 p. 1450 revs/min | | | Rif. pompa Pump code | Lanterna Bellhousing | | Dimensione lanterna (mm) Dimensions of bellhousing (mm) | | | | | | | | | | Giunto completo serie ND Complete coupling ND series | | Semigiunto Motore Halfcoupling motor side | | Inserto elastico Rubber spider | | Semigiunto pompa Halfcoupling pump side | | Piedino Foot flange Anello amm. Damping ring |
|--|-----------------|-------------------|-------------------------------|-------------------------|---------------|--|-----|-----|------|-----|-----|-----|----|---------------|-----|---|-----------------------|--|-----------------------|---|----|--|---------|---|
| kW | Taglia Size | HP | | L | LS | A | B | C | D | F | G | H | P | Q | R | S | Codice Part number | H | Codice Part number | Codice Part num. | I | Codice Part number | | |
| 0,12 ÷ 0,18 | 63 | 0,16 ÷ 0,25 | 0,5M | 901 | - | 90 | 75 | 60 | 6,5 | 62 | 60 | 10 | - | 90 | 69 | 34 | ND 01 | 54 | ND 48A | R-42 | 16 | ND 48P05M | P - 160 | A - 200 |
| | | | 0,5GT | 901 | - | 90 | 75 | 60 | 6,5 | 62 | 60 | 10 | - | 90 | 69 | 34 | ND 02 | 54 | ND 48A | R-42 | 16 | ND 48P05GT | | |
| | | | U1P | 902 | - | 90 | 75 | 60 | 6,5 | 62 | 60 | 10 | - | 90 | 69 | 34 | ND 03 | 52 | ND 48A | R-42 | 16 | ND 48PU1P | | |
| | | | 1C | 903 | - | 90 | 75 | 60 | 6,5 | 62 | 60 | 10 | - | 90 | 69 | 34 | ND 04 | 52 | ND 48A | R-42 | 16 | ND 48P1C | | |
| | | | 1M | 903 | - | 90 | 75 | 60 | 6,5 | 62 | 60 | 10 | - | 90 | 69 | 34 | ND 05 | 52 | ND 48A | R-42 | 16 | ND 48P1M | | |
| | | | ZB | LB 9 | - | 90 | 75 | 60 | 6,5 | 62 | 60 | 10 | - | 90 | 69 | 34 | ND 198 | 52 | ND 48A | R-42 | 16 | ND 48PZB | | |
| 0,25 ÷ 0,37 | 71 | 0,35 ÷ 0,55 | 0,5M | 1051 | - | 105 | 85 | 70 | 7 | 70 | 70 | 10 | - | 90 | 69 | 34 | ND 1 | 64 | ND 48B | R-42 | 16 | ND 48P05M | P - 160 | A - 200 |
| | | | 0,5GT | 1051 | - | 105 | 85 | 70 | 7 | 70 | 70 | 10 | - | 90 | 69 | 34 | ND 1A | 64 | ND 48B | R-42 | 16 | ND 48P05GT | | |
| | | | U1P | 1052 | - | 105 | 85 | 70 | 7 | 70 | 70 | 10 | - | 90 | 69 | 34 | ND 2 | 62 | ND 48B | R-42 | 16 | ND 48PU1P | | |
| | | | 1C | 1053 | - | 105 | 85 | 70 | 7 | 70 | 70 | 10 | - | 90 | 69 | 34 | ND 3 | 62 | ND 48B | R-42 | 16 | ND 48P1C | | |
| | | | 1M | 1053 | - | 105 | 85 | 70 | 7 | 70 | 70 | 10 | - | 90 | 69 | 34 | ND 3A | 62 | ND 48B | R-42 | 16 | ND 48P1M | | |
| | | | ZB | LB 10 | - | 105 | 85 | 70 | 7 | 70 | 70 | 10 | - | 90 | 69 | 34 | ND 199 | 62 | ND 48B | R-42 | 16 | ND 48PZB | | |
| 0,55 ÷ 0,75 | 80 | 0,75 ÷ 1 | 0,5M | 1201 | - | 120 | 100 | 80 | 7 | 80 | 85 | 12 | - | 120 | 90 | 45 | ND 4B | 80 | ND 48CG45 | R-42 | 16 | ND 48P05M | P - 160 | A - 200 |
| | | | 0,5GT | 1201 | - | 120 | 100 | 80 | 7 | 80 | 85 | 12 | - | 120 | 90 | 45 | ND 4C | 80 | ND 48CG45 | R-42 | 16 | ND 48P05GT | | |
| | | | U1P | 1202 | - | 120 | 100 | 80 | 7 | 80 | 85 | 12 | - | 120 | 90 | 45 | ND 5A | 98 | ND 48CG45 | R-42 | 16 | ND 48PU1P | | |
| | | | 1C | 1203 | - | 120 | 100 | 80 | 7 | 80 | 85 | 12 | - | 120 | 90 | 45 | ND 6B | 78 | ND 48CG45 | R-62 | 18 | ND 48P1C | | |
| | | | 1M | 1203 | - | 120 | 100 | 80 | 7 | 80 | 85 | 12 | - | 120 | 90 | 45 | ND 6C | 78 | ND 48CG45 | R-62 | 18 | ND 48P1M | | |
| | | | ZB | LB 11 | - | 120 | 100 | 80 | 7 | 80 | 85 | 12 | - | 120 | 90 | 45 | ND 300 | 78 | ND 48CG45 | R-62 | 18 | ND 48PZB | | |
| | | | 2 | 1204 | - | 120 | 100 | 80 | 7 | 80 | 85 | 12 | - | 120 | 90 | 45 | ND 7B | 77,5 | ND 65AG38 | R-62 | 18 | ND 65P2 | | |
| | | | ZF | LB 12 | - | 120 | 100 | 80 | 7 | 80 | 85 | 12 | - | 120 | 90 | 45 | ND 207 | 77,5 | ND 65AG38 | R-62 | 18 | ND 65PZF | | |
| 1,1 ÷ 1,5 | 90 | 1,5 ÷ 2 | U1P | 1410 | 149 | 140 | 115 | 95 | 9,5 | 100 | 95 | 12 | M8 | 120 | 90 | 45 | ND 8 | 87 | ND 65B | R-62 | 18 | ND 65PU1P | P - 160 | A - 200 |
| | | | 1C | 1411 | 150 | 140 | 115 | 95 | 9,5 | 100 | 95 | 12 | M8 | 120 | 90 | 45 | ND 9 | 87 | ND 65B | R-62 | 18 | ND 65P1C | | |
| | | | 1M | 1411 | 150 | 140 | 115 | 95 | 9,5 | 100 | 95 | 12 | M8 | 120 | 90 | 45 | ND 9A | 87 | ND 65B | R-62 | 18 | ND 65P1M | | |
| | | | ZB | LB 40 | LBS 40 | 140 | 115 | 95 | 9,5 | 100 | 95 | 12 | M8 | 120 | 90 | 45 | ND 201 | 87 | ND 65B | R-62 | 18 | ND 65PZB | | |
| | | | 2 | 1409 | 148 | 140 | 115 | 95 | 9,5 | 100 | 95 | 12 | M8 | 120 | 90 | 45 | ND 10 | 87 | ND 65B | R-62 | 18 | ND 65P2 | | |
| | | | ZF | LB 14 | LBS 14 | 140 | 115 | 95 | 9,5 | 100 | 95 | 12 | M8 | 120 | 90 | 45 | ND 203 | 87 | ND 65B | R-62 | 18 | ND 65PZF | | |
| 2,2 ÷ 4 | 100 ÷ 112 | 3 ÷ 5,5 | U1P | 1610 | 169 | 160 | 130 | 110 | 9,5 | 114 | 105 | 14 | M8 | 120 | 90 | 45 | ND 11 | 97 | ND 65C | R-62 | 18 | ND 65PU1P | P - 160 | A - 200 |
| | | | 1C | 1611 | 170 | 160 | 130 | 110 | 9,5 | 114 | 105 | 14 | M8 | 120 | 90 | 45 | ND 12 | 97 | ND 65C | R-62 | 18 | ND 65P1C | | |
| | | | 1M | 1611 | 170 | 160 | 130 | 110 | 9,5 | 114 | 105 | 14 | M8 | 120 | 90 | 45 | ND 12A | 97 | ND 65C | R-62 | 18 | ND 65P1M | | |
| | | | ZB | LB 17 | LBS 17 | 160 | 130 | 110 | 9,5 | 114 | 105 | 14 | M8 | 120 | 90 | 45 | ND 204 | 97 | ND 65C | R-62 | 18 | ND 65PZB | | |
| | | | 2 | 1609 | 168 | 160 | 130 | 110 | 9,5 | 114 | 105 | 14 | M8 | 120 | 90 | 45 | ND 13 | 97 | ND 65C | R-62 | 18 | ND 65P2 | | |
| | | | ZF | LB 16 | LBS 16 | 160 | 130 | 110 | 9,5 | 114 | 105 | 14 | M8 | 120 | 90 | 45 | ND 206 | 97 | ND 65C | R-62 | 18 | ND 65PZF | | |
| 5,5 ÷ 7,5 | 132 | 7,5 ÷ 10 | 2 | 2015 | - | 200 | 165 | 130 | 11,5 | 137 | 139 | 16 | - | 150 | 132 | 72 | ND 16B | 127 | ND 86BG80 | R-82 | 20 | ND 86P2 | P - 200 | A - 200 |
| | | | ZF | LB 41 | - | 200 | 165 | 130 | 11,5 | 137 | 139 | 16 | - | 150 | 132 | 72 | ND 311 | 127 | ND 86BG80 | R-82 | 20 | ND 86PZF | | |
| | | | T250 | 2016 | - | 200 | 165 | 130 | 11,5 | 137 | 139 | 16 | - | 150 | 132 | 72 | ND 17A | 127 | ND 86BG80 | R-82 | 20 | ND 86P3U | | |
| | | | 3U | 2017 | - | 200 | 165 | 130 | 11,5 | 137 | 139 | 16 | - | 150 | 132 | 72 | ND 17A | 127 | ND 86BG80 | R-82 | 20 | ND 86P3U | | |
| | | | M3 | 2018 | - | 200 | 165 | 130 | 11,5 | 137 | 139 | 16 | - | 150 | 132 | 72 | ND 17A | 127 | ND 86BG80 | R-82 | 20 | ND 86P3U | | |
| | | | T3 | 2019 | - | 200 | 165 | 130 | 11,5 | 137 | 139 | 16 | - | 150 | 132 | 72 | ND 17A | 127 | ND 86BG80 | R-82 | 20 | ND 86P3U | | |
| ZG | LB 42 | - | 200 | 165 | 130 | 11,5 | 137 | 139 | 16 | - | 150 | 132 | 72 | ND 312 | 127 | ND 86BG80 | R-82 | 20 | ND 86PZG | | | | | |

FLANGIA / FLANGE

tipo / series **B14**



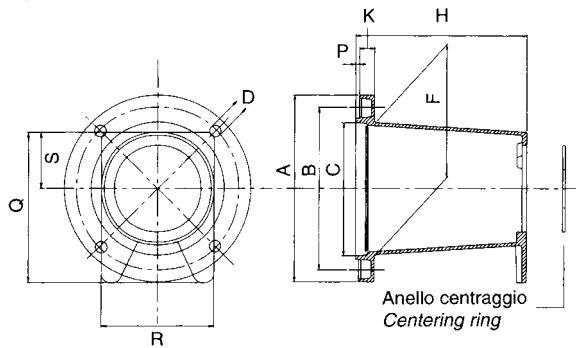
| Taglia Size | Potenza / Motor power | | | | | | | | Dimensioni / Dimensions | | | | | | | | | |
|----------------|-----------------------------|-------------------|-----------------------------|-------------------|----------------------------|------------------|----------------------------|---------------|--|-----|-----|-----|-----|---------------------------------------|----|----|---|------|
| | 2 poli / 2 poles | | 4 poli / 4 poles | | 6 poli / 6 poles | | 8 poli / 8 poles | | Dimensioni flangia / Flange dimensions | | | | | Dimensioni albero / Shaft dimensionst | | | | |
| | 2900 giri/min - revs/min | | 1450 giri/min - revs/min | | 960 giri/min - revs/min | | 720 giri/min - revs/min | | P | M | N | Q | F | D | E | ch | h | t |
| | kW | HP | kW | HP | kW | HP | kW | HP | | | | | | | | | | |
| 63 | 0,18 ÷ 0,25 | 0,24 ÷ 0,35 | 0,12 ÷ 0,185 | 0,16 ÷ 0,25 | | | | | 90 | 75 | 60 | 2,5 | M5 | 11 | 23 | 4 | 4 | 12,5 |
| 71 | 0,37 ÷ 0,55 | 0,55 ÷ 0,75 | 0,25 ÷ 0,37 | 0,35 ÷ 0,55 | | | | | 105 | 85 | 70 | 2,5 | M6 | 14 | 30 | 5 | 5 | 16 |
| 80 | 0,75 ÷ 1,1 | 1 ÷ 1,5 | 0,55 ÷ 0,75 | 0,75 ÷ 1 | 0,37 ÷ 0,55 | 0,5 ÷ 0,75 | | | 120 | 100 | 80 | 3 | M6 | 19 | 40 | 6 | 6 | 21,5 |
| 90S | 1,5 | 2 | 1,1 | 1,5 | 0,75 | 1 | | | 140 | 115 | 95 | 3 | M8 | 24 | 50 | 8 | 7 | 27 |
| 90L | 2,2 | 3 | 1,5 | 2 | 1,1 | 1,5 | | | 140 | 115 | 95 | 3 | M8 | 24 | 50 | 8 | 7 | 27 |
| 100L | 3 | 4 | 2,2 ÷ 3 | 3 ÷ 4 | 1,5 | 2 | 0,75 ÷ 1,1 | 1 ÷ 1,5 | 160 | 130 | 110 | 3,5 | M8 | 28 | 60 | 8 | 7 | 31 |
| 112M | 4 | 5,5 | 4 | 5,5 | 2,2 | 3 | 1,5 | 2 | 160 | 130 | 110 | 3,5 | M8 | 28 | 60 | 8 | 7 | 31 |
| 132S | 7,5 | 10 | 5,5 | 7,5 | 3 | 4 | 2,2 | 3 | 200 | 165 | 130 | 3,5 | M10 | 38 | 80 | 10 | 8 | 41 |
| 132M | 9 | 12,5 | 7,5 | 10 | 5,5 | 7,5 | 3 | 4 | 200 | 165 | 130 | 3,5 | M10 | 38 | 80 | 10 | 8 | 41 |

ACCOPIAMENTO POMPE AD INGRANAGGI CON FLANGIATURE RETTANGOLARI E MOTORI ENDOTERMICI

CONNECTIONS BETWEEN GEAR PUMPS WITH RECTANGULAR FLANGE
AND ENDOTHERMIC ENGINES

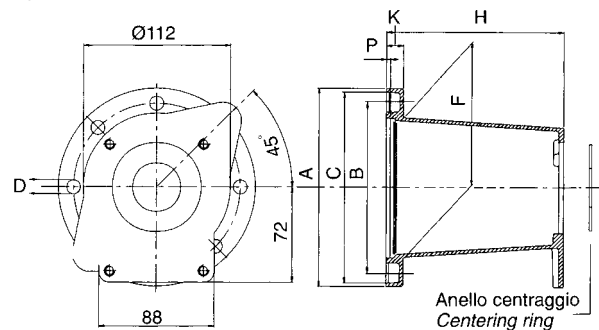
LANTERNA / BELLHOUSING

tipo / series **LMH**



LANTERNA / BELLHOUSING

tipo / series **LB**



| Potenza motore Motor power | | Albero Shaft | Rif. pompa Pump code | Lanterna Bellhousing | Dimensione lanterna (mm) Dimensions of bellhousing (mm) | | | | | | | | | | | | | Giunto completo serie ND Complete coupling ND series | | Semigiunto Motore Halfcoupling motor side | | Inserto elastico Rubber spider | | Semigiunto pompa Halfcoupling pump side | | Anello di centraggio Centering ring | |
|-------------------------------|---------------|---------------------|-------------------------------|-------------------------|--|-----|------|------|-----|-----|----|-----|-----|----|------|--------|-----------------------|---|-----------------------|--|---------------------|---|-----------------------|--|---------------------|--|--|
| kW | HP | | | | Codice Part number | A | B | C | D | F | H | K | P | Q | R | S | Codice Part number | H | Codice Part number | H | Codice Part num. | I | Codice Part number | I | Codice P. number | P. number | |
| 2,2 ÷ 4 | 3 ÷ 5,5 | Ø 18 ch. 5 | U1P | LMH151 | 110 | 92 | 78,5 | 9 | 78 | 98 | 12 | 3 | 90 | 70 | 34 | ND 500 | 87 | NS 48CC16 | R-42 | 16 | ND 48PU1P | RC05-254 | | | | | |
| | | | 1C | LMH152 | 110 | 92 | 78,5 | 9 | 78 | 98 | 12 | 3 | 90 | 70 | 34 | ND 501 | 87 | NS 48CC16 | R-42 | 16 | ND 48P1C | RC05-30 | | | | | |
| | | | 1M | LMH152 | 110 | 92 | 78,5 | 9 | 78 | 98 | 12 | 3 | 90 | 70 | 34 | ND 502 | 87 | NS 48CC16 | R-42 | 16 | ND 48P1M | RC05-30 | | | | | |
| | | Ø 19,05 ch. 4,76 | U1P | LMH151 | 110 | 92 | 78,5 | 9 | 78 | 98 | 12 | 3 | 90 | 70 | 34 | ND 510 | 87 | ND 48CC22 | R-42 | 16 | ND 48PU1P | RC05-254 | | | | | |
| | | | 1C | LMH152 | 110 | 92 | 78,5 | 9 | 78 | 98 | 12 | 3 | 90 | 70 | 34 | ND 511 | 87 | ND 48CC22 | R-42 | 16 | ND 48P1C | RC05-30 | | | | | |
| | | | 1M | LMH152 | 110 | 92 | 78,5 | 9 | 78 | 98 | 12 | 3 | 90 | 70 | 34 | ND 512 | 87 | ND 48CC22 | R-42 | 16 | ND 48P1M | RC05-30 | | | | | |
| 5 ÷ 13,5 | 7 ÷ 18 | Ø 25 ch. 7 | U1P | LMH401 | 146 | 127 | 110 | 9 | 110 | 134 | 12 | 3 | 118 | 91 | 43,5 | ND 600 | 106 | ND 65MC33 | R-62 | 18 | ND 65PU1P | RC1-254 | | | | | |
| | | | 1C | LMH402 | 146 | 127 | 110 | 9 | 110 | 134 | 12 | 3 | 118 | 91 | 43,5 | ND 601 | 106 | ND 65MC33 | R-62 | 18 | ND 65P1C | RC1-30 | | | | | |
| | | | 1M | LMH402 | 146 | 127 | 110 | 9 | 110 | 134 | 12 | 3 | 118 | 91 | 43,5 | ND 602 | 106 | ND 65MC33 | R-62 | 18 | ND 65P1M | RC1-30 | | | | | |
| | | | 2 | LMH403 | 146 | 127 | 110 | 9 | 110 | 134 | 12 | 3 | 118 | 91 | 43,5 | ND 603 | 106 | ND 65MC33 | R-62 | 18 | ND 65P2 | RC1-365 | | | | | |
| | | | ZF | LMH404 | 146 | 127 | 110 | 9 | 110 | 134 | 12 | 3 | 118 | 91 | 43,5 | ND 605 | 106 | ND 65MC33 | R-62 | 18 | ND 65P2F | - | | | | | |
| | | | U1P | LMH401 | 146 | 127 | 110 | 9 | 110 | 134 | 12 | 3 | 118 | 91 | 43,5 | ND 610 | 106 | ND 65MC35 | R-62 | 18 | ND 65PU1P | RC1-254 | | | | | |
| | | Ø 25,4 ch. 6,35 | 1C | LMH402 | 146 | 127 | 110 | 9 | 110 | 134 | 12 | 3 | 118 | 91 | 43,5 | ND 611 | 106 | ND 65MC35 | R-62 | 18 | ND 65P1C | RC1-30 | | | | | |
| | | | 1M | LMH402 | 146 | 127 | 110 | 9 | 110 | 134 | 12 | 3 | 118 | 91 | 43,5 | ND 612 | 106 | ND 65MC35 | R-62 | 18 | ND 65P1M | RC1-30 | | | | | |
| | | | 2 | LMH403 | 146 | 127 | 110 | 9 | 110 | 134 | 12 | 3 | 118 | 91 | 43,5 | ND 613 | 106 | ND 65MC35 | R-62 | 18 | ND 65P2 | RC1-365 | | | | | |
| | | | ZF | LMH404 | 146 | 127 | 110 | 9 | 110 | 134 | 12 | 3 | 118 | 91 | 43,5 | ND 615 | 106 | ND 65MC35 | R-62 | 18 | ND 65P2F | - | | | | | |
| | | | U1P | LB152-U1P | 152 | 128 | 146 | 10,5 | 110 | 142 | 15 | 3,5 | - | - | - | ND 600 | 106 | ND 65MC33 | R-62 | 18 | ND 65PU1P | RC1-254 | | | | | |
| | | | 1C | LB152-1CM | 152 | 128 | 146 | 10,5 | 110 | 142 | 15 | 3,5 | - | - | - | ND 601 | 106 | ND 65MC33 | R-62 | 18 | ND 65P1C | RC1-30 | | | | | |
| | | Ø 25 ch. 7 | 1M | LB152-1CM | 152 | 128 | 146 | 10,5 | 110 | 142 | 15 | 3,5 | - | - | - | ND 602 | 106 | ND 65MC33 | R-62 | 18 | ND 65P1M | RC1-30 | | | | | |
| | | | 2 | LB152-2 | 152 | 128 | 146 | 10,5 | 110 | 142 | 15 | 3,5 | - | - | - | ND 603 | 106 | ND 65MC33 | R-62 | 18 | ND 65P2 | RC1-365 | | | | | |
| | | | U1P | LB152-U1P | 152 | 128 | 146 | 10,5 | 110 | 142 | 15 | 3,5 | - | - | - | ND 610 | 106 | ND 65MC35 | R-62 | 18 | ND 65PU1P | RC1-254 | | | | | |
| | | | 1C | LB152-1CM | 152 | 128 | 146 | 10,5 | 110 | 142 | 15 | 3,5 | - | - | - | ND 611 | 106 | ND 65MC35 | R-62 | 18 | ND 65P1C | RC1-30 | | | | | |
| | | | 1M | LB152-1CM | 152 | 128 | 146 | 10,5 | 110 | 142 | 15 | 3,5 | - | - | - | ND 612 | 106 | ND 65MC35 | R-62 | 18 | ND 65P1M | RC1-30 | | | | | |
| | | | 2 | LB152-2 | 152 | 128 | 146 | 10,5 | 110 | 142 | 15 | 3,5 | - | - | - | ND 613 | 106 | ND 65MC35 | R-62 | 18 | ND 65P2 | RC1-365 | | | | | |
| | | Ø 25,4 ch. 6,35 | T250 | LB152-T250 | 152 | 128 | 146 | 10,5 | 110 | 155 | 15 | 3,5 | - | - | - | ND 606 | 106 | ND 65MC33 | R-62 | 18 | ND 65Q3U | - | | | | | |
| | | | 3U | LB152-3U | 152 | 128 | 146 | 10,5 | 110 | 155 | 15 | 3,5 | - | - | - | ND 606 | 106 | ND 65MC33 | R-62 | 18 | ND 65Q3U | - | | | | | |
| | | | M3 | LB152-M3 | 152 | 128 | 146 | 10,5 | 110 | 155 | 15 | 3,5 | - | - | - | ND 606 | 106 | ND 65MC33 | R-62 | 18 | ND 65Q3U | - | | | | | |
| | | | T250 | LB152-T250 | 152 | 128 | 146 | 10,5 | 110 | 155 | 15 | 3,5 | - | - | - | ND 616 | 116 | ND 65MC35 | R-62 | 18 | ND 65Q3U | - | | | | | |
| | | | 3U | LB152-3U | 152 | 128 | 146 | 10,5 | 110 | 155 | 15 | 3,5 | - | - | - | ND 616 | 116 | ND 65MC35 | R-62 | 18 | ND 65Q3U | - | | | | | |
| | | | M3 | LB152-M3 | 152 | 128 | 146 | 10,5 | 110 | 155 | 15 | 3,5 | - | - | - | ND 616 | 116 | ND 65MC35 | R-62 | 18 | ND 65Q3U | - | | | | | |

Motore a scoppio HP 18 con diametro di centraggio flangia Ø 163,5 mm

Internal combustion engines, 18 HP, with centering flange diameter Ø 163,5 mm

| Potenza motore Motor power | | Albero Shaft | Rif. pompa Pump code | Lanterna Bellhousing | Dimensione lanterna (mm) Dimensions of bellhousing (mm) | | | | | | | | | | | | | Giunto completo serie ND Complete coupling ND series | | Semigiunto Motore Halfcoupling motor side | | Inserto elastico Rubber spider | | Semigiunto pompa Halfcoupling pump side | | Anello di centraggio Centering ring | |
|-------------------------------|----|--------------------|-------------------------------|-------------------------|--|-----|-------|------|-----|-----|----|-----|---|---|---|--------|-----------------------|---|-----------------------|--|---------------------|---|-----------------------|--|---------------------|--|--|
| kW | HP | | | | Codice Part number | A | B | C | D | F | G | H | P | Q | R | S | Codice Part number | H | Codice Part number | H | Codice Part num. | I | Codice Part number | I | Codice P. number | P. number | |
| 13,5 | 18 | Ø 25 ch. 7 | U1P | LB170-U1P | 170 | 127 | 163,5 | 10,5 | 110 | 142 | 15 | 3,5 | - | - | - | ND 600 | 106 | ND 65MC33 | R-62 | 18 | ND 65PU1P | RC1-254 | | | | | |
| | | | 1C | LB170-1CM | 170 | 127 | 163,5 | 10,5 | 110 | 142 | 15 | 3,5 | - | - | - | ND 601 | 106 | ND 65MC33 | R-62 | 18 | ND 65P1C | RC1-30 | | | | | |
| | | | 1M | LB170-1CM | 170 | 127 | 163,5 | 10,5 | 110 | 142 | 15 | 3,5 | - | - | - | ND 602 | 106 | ND 65MC33 | R-62 | 18 | ND 65P1M | RC1-30 | | | | | |
| | | | 2 | LB170-2 | 170 | 127 | 163,5 | 10,5 | 110 | 142 | 15 | 3,5 | - | - | - | ND 603 | 106 | ND 65MC33 | R-62 | 18 | ND 65P2 | RC1-365 | | | | | |
| | | | T250 | LB170-T250 | 170 | 127 | 163,5 | 10,5 | 110 | 155 | 15 | 3,5 | - | - | - | ND 606 | 116 | ND 65MC33 | R-62 | 18 | ND 65Q3U | RC2-508 | | | | | |
| | | | 3U | LB170-3U | 170 | 127 | 163,5 | 10,5 | 110 | 155 | 15 | 3,5 | - | - | - | ND 606 | 116 | ND 65MC33 | R-62 | 18 | ND 65Q3U | RC2-508 | | | | | |
| | | Ø 25,4 ch. 6,35 | M3 | LB170-M3 | 170 | 127 | 163,5 | 10,5 | 110 | 155 | 15 | 3,5 | - | - | - | ND 606 | 116 | ND 65MC33 | R-62 | 18 | ND 65Q3U | RC2-508 | | | | | |
| | | | U1P | LB170-U1P | 170 | 127 | 163,5 | 10,5 | 110 | 142 | 15 | 3,5 | - | - | - | ND 610 | 106 | ND 65MC35 | R-62 | 18 | ND 65PU1P | RC1-254 | | | | | |
| | | | 1C | LB170-1CM | 170 | 127 | 163,5 | 10,5 | 110 | 142 | 15 | 3,5 | - | - | - | ND 611 | 106 | ND 65MC35 | R-62 | 18 | ND 65P1C | RC1-30 | | | | | |
| | | | 1M | LB170-1CM | 170 | 127 | 163,5 | 10,5 | 110 | 142 | 15 | 3,5 | - | - | - | ND 612 | 106 | ND 65MC35 | R-62 | 18 | ND 65P1M | RC1-30 | | | | | |
| | | | 2 | LB170-2 | 170 | 127 | 163,5 | 10,5 | 110 | 142 | 15 | 3,5 | - | - | - | ND 613 | 106 | ND 65MC35 | R-62 | 18 | ND 65P2 | - | | | | | |
| | | | T250 | LB170-T250 | 170 | 127 | 163,5 | 10,5 | 110 | 155 | 15 | 3,5 | - | - | - | ND 616 | 116 | ND 65MC35 | R-62 | 18 | ND 65Q3U | - | | | | | |
| | | Ø 25,4 ch. 6,35 | 3U | LB170-3U | 170 | 127 | 163,5 | 10,5 | 110 | 155 | 15 | 3,5 | - | - | - | ND 616 | 116 | ND 65MC35 | R-62 | 18 | ND 65Q3U | - | | | | | |
| | | | M3 | LB170-M3 | 170 | 127 | 163,5 | 10,5 | 110 | 155 | 15 | 3,5 | - | - | - | ND 616 | 116 | ND 65MC35 | R-62 | 18 | ND 65Q3U | - | | | | | |

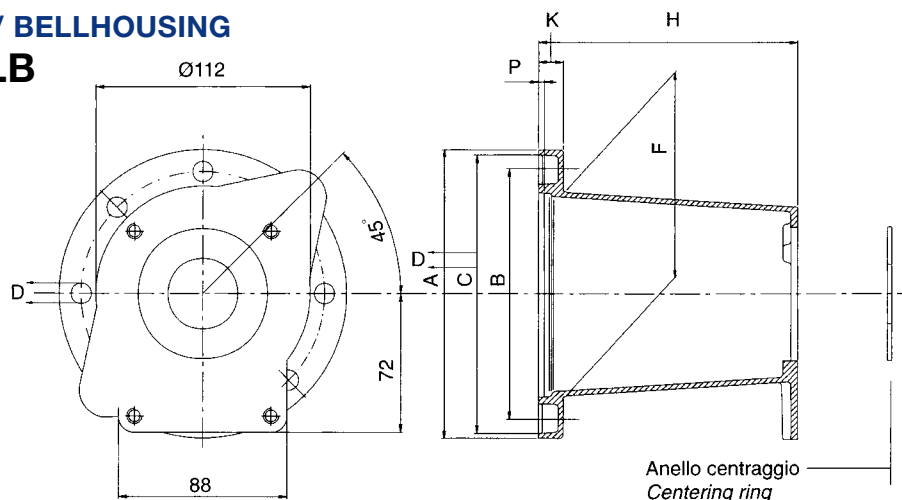
ACCOPIAMENTO POMPE AD INGRANAGGI CON FLANGIATURE SAE E MOTORI ENDOTERMICI

01

CONNECTIONS BETWEEN GEAR PUMPS WITH SAE FLANGE AND ENDOTHERMIC ENGINES

LANTERNA / BELLHOUSING

tipo / series **LB**



| Potenza motore Motor power | | Albero Shaft | Rif. pompa Pump code | Lanterna Bellhousing Codice Part number | Dimensione lanterna (mm) Dimensions of bellhousing (mm) | | | | | | | | Giunto completo serie ND Complete coupling ND series | | Semigiunto Motore Halfcoupling motor side | | Insero elastico Rubber spider | | Semigiunto pompa Halfcoupling pump side | |
|-------------------------------|---------|--------------------|-------------------------|--|--|-----|-----|------|-----|-----|----|-----|---|-------|--|------------------|----------------------------------|--------------------|--|--|
| kW | HP | | | | A | B | C | D | F | H | K | P | Codice Part number | H | Codice Part number | Codice Part num. | I | Codice Part number | | |
| 5 13,5 | 7 18 | Ø 25 ch. 7 | SAE A | LB152-825A | 152 | 128 | 146 | 10,5 | 110 | 142 | 15 | 3,5 | ND 700 | 124,5 | ND 65MC33 | R-62 | 18 | ND 65H4D22 | | |
| | | | SAE B | LB152-101A | 152 | 128 | 146 | 10,5 | 110 | 142 | 15 | 3,5 | ND 701 | 124,5 | ND 65MC33 | R-62 | 18 | ND 65H4D99 | | |
| | | | ISO 80-2 | LB152-80E | 152 | 128 | 146 | 10,5 | 110 | 142 | 15 | 3,5 | ND 702 | 124,5 | ND 65MC33 | R-62 | 18 | ND 65H4D24 | | |
| | | | ISO 100-2 | LB152-100E | 152 | 128 | 146 | 10,5 | 110 | 142 | 15 | 3,5 | ND 703 | 124,5 | ND 65MC33 | R-62 | 18 | ND 65H4D34 | | |
| | | Ø 25,4 ch. 6,35 | SAE A | LB152-825A | 152 | 128 | 146 | 10,5 | 110 | 142 | 15 | 3,5 | ND 710 | 124,5 | ND 65MC35 | R-62 | 18 | ND 65H4D22 | | |
| | | | SAE B | LB152-101A | 152 | 128 | 146 | 10,5 | 110 | 142 | 15 | 3,5 | ND 711 | 124,5 | ND 65MC35 | R-62 | 18 | ND 65H4D99 | | |
| | | | ISO 80-2 | LB152-80E | 152 | 128 | 146 | 10,5 | 110 | 142 | 15 | 3,5 | ND 712 | 124,5 | ND 65MC35 | R-62 | 18 | ND 65H4D24 | | |
| | | | ISO 100-2 | LB152-100E | 152 | 128 | 146 | 10,5 | 110 | 142 | 15 | 3,5 | ND 713 | 124,5 | ND 65MC35 | R-62 | 18 | ND 65H4D34 | | |

Motore a scoppio HP 8 con albero speciale Internal combustion engines, 8 HP, with special shaft

| Potenza motore Motor power | | Albero Shaft | Rif. pompa Pump code | Lanterna Bellhousing Codice Part number | Dimensione lanterna (mm) Dimensions of bellhousing (mm) | | | | | | | | Giunto completo serie ND Complete coupling ND series | | Semigiunto Motore Halfcoupling motor side | | Insero elastico Rubber spider | | Semigiunto pompa Halfcoupling pump side | |
|-------------------------------|----|--------------------|-------------------------|--|--|-----|-----|------|-----|-----|----|-----|---|-------|--|------------------|----------------------------------|--------------------|--|--|
| kW | HP | | | | A | B | C | D | F | H | K | P | Codice Part number | H | Codice Part number | Codice Part num. | I | Codice Part number | | |
| 5,75 | 8 | Ø 25,4 ch. 6,35 | SAE A | LB152-825A | 152 | 128 | 146 | 10,5 | 110 | 142 | 15 | 3,5 | ND 720 | 114,5 | ND 65MC35 | R-62 | 18 | ND 65H8D22 | | |
| | | | SAE B | LB152-101A | 152 | 128 | 146 | 10,5 | 110 | 142 | 15 | 3,5 | ND 721 | 114,5 | ND 65MC35 | R-62 | 18 | ND 65H8D99 | | |
| | | | ISO 80-2 | LB152-80E | 152 | 128 | 146 | 10,5 | 110 | 142 | 15 | 3,5 | ND 722 | 114,5 | ND 65MC35 | R-62 | 18 | ND 65H8D24 | | |

Motore a scoppio HP18 con diametro di centraggio flangia Ø 163,5 mm Internal combustion engines, 18 HP, with centering flange diameter Ø 163,5 mm

| Potenza motore Motor power | | Albero Shaft | Rif. pompa Pump code | Lanterna Bellhousing Codice Part number | Dimensione lanterna (mm) Dimensions of bellhousing (mm) | | | | | | | | Giunto completo serie ND Complete coupling ND series | | Semigiunto Motore Halfcoupling motor side | | Insero elastico Rubber spider | | Semigiunto pompa Halfcoupling pump side | |
|-------------------------------|----|--------------------|-------------------------|--|--|-----|-------|------|-----|-----|----|-----|---|-------|--|------------------|----------------------------------|--------------------|--|--|
| kW | HP | | | | A | B | C | D | F | H | K | P | Codice Part number | H | Codice Part number | Codice Part num. | I | Codice Part number | | |
| 13,5 | 18 | Ø 25 ch. 7 | SAE A | LB170-825A | 170 | 127 | 163,5 | 10,5 | 110 | 142 | 15 | 3,5 | ND 700 | 124,5 | ND 65MC33 | R-62 | 18 | ND 65H4D22 | | |
| | | | SAE B | LB170-101A | 170 | 127 | 163,5 | 10,5 | 110 | 142 | 15 | 3,5 | ND 701 | 124,5 | ND 65MC33 | R-62 | 18 | ND 65H4D99 | | |
| | | | ISO 80-2 | LB170-80E | 170 | 127 | 163,5 | 10,5 | 110 | 142 | 15 | 3,5 | ND 702 | 124,5 | ND 65MC33 | R-62 | 18 | ND 65H4D24 | | |
| | | | ISO 100-2 | LB170-100E | 170 | 127 | 163,5 | 10,5 | 110 | 142 | 15 | 3,5 | ND 703 | 124,5 | ND 65MC33 | R-62 | 18 | ND 65H4D34 | | |
| | | Ø 25,4 ch. 6,35 | SAE A | LB170-825A | 170 | 127 | 163,5 | 10,5 | 110 | 142 | 15 | 3,5 | ND 710 | 124,5 | ND 65MC35 | R-62 | 18 | ND 65H4D22 | | |
| | | | SAE B | LB170-101A | 170 | 127 | 163,5 | 10,5 | 110 | 142 | 15 | 3,5 | ND 711 | 124,5 | ND 65MC35 | R-62 | 18 | ND 65H4D99 | | |
| | | | ISO 80-2 | LB170-80E | 170 | 127 | 163,5 | 10,5 | 110 | 142 | 15 | 3,5 | ND 712 | 124,5 | ND 65MC35 | R-62 | 18 | ND 65H4D24 | | |
| | | | ISO 100-2 | LB170-100E | 170 | 127 | 163,5 | 10,5 | 110 | 142 | 15 | 3,5 | ND 713 | 124,5 | ND 65MC35 | R-62 | 18 | ND 65H4D34 | | |