

# PRESA DI FORZA A COMANDO PNEUMATICO

PNEUMATIC CLUTCH POWER TAKE-OFF

**CODICE PTO**  
PTO CODE

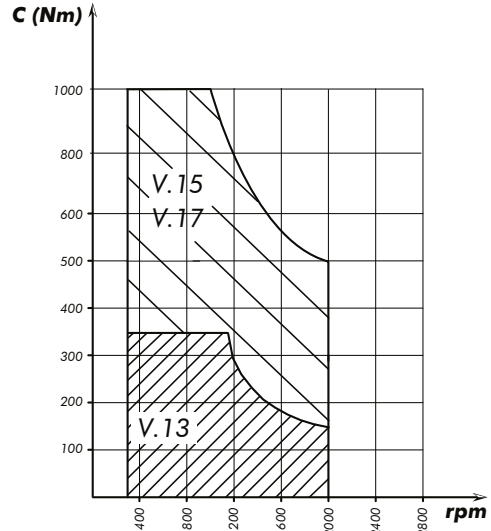
**10-40**

**CAMBIO VOLVO, EATON, SCANIA**  
GEARBOX  
**MERCEDES, ZF**

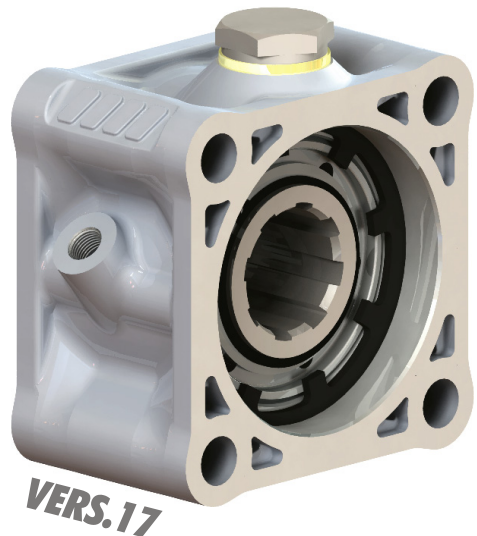


**VERS.13**

## DIAGRAMMA DI UTILIZZO WORKING CONDITION



**VERS.15**



**VERS.17**

Tipo cambio Gearbox	Codice PTO PTO code	Versione Version	Giri pto a 1000 giri motore Pto ratio@1000 eng.rpm	Coppia massima Max torque	Lato montaggio Mounting side	Uscita Output	Rotazione Rotation	Kit di montaggio Mounting kit	Peso Weight
			rpm	Nm					Kg
VOLVO, EATON, MERCEDES, ZF,SCANIA	10-40-135	13	VEDI INDICE See index	350	Poster. Rear	Poster. Rear	Ora. Cw	Vedi indice See index	3,9
	10-40-153	15		1000 <sup>(1)</sup>					3,7
	10-40-171	17		1,7					

**(1) La coppia massima trasmissibile è riferita alla PTO. È necessario consultare l'indice PTO-Cambi per identificare la coppia limite prelevabile dai singoli cambi.**

**(1) The maximum allowed torque is referred to the PTO only. It is essential to watch the PTO/gearbox application book to get the maximum torque limit of every single transmission.**

pag.1

**OMFB**  
HYDRAULIC COMPONENTS

O.M.F.B. S.p.A. Hydraulic Components  
We reserve the right to make any changes without notice.  
Edition 2004.01 No reproduction, however partial, is permitted.  
Via Cave, 7/9 25050 Provaglio d'Iseo (Brescia) Italy Tel.: +39.030.9830611  
Fax: +39.030.9839207-208 Internet:www.omfb.it e-mail:info@omfb.it

**COMPANY WITH  
QUALITY SYSTEM  
CERTIFIED BY DNV GL  
= ISO 9001:2015 =**

ТОВ "Промислова Гідравліка": <https://promhydraulic.com.ua/ua/>

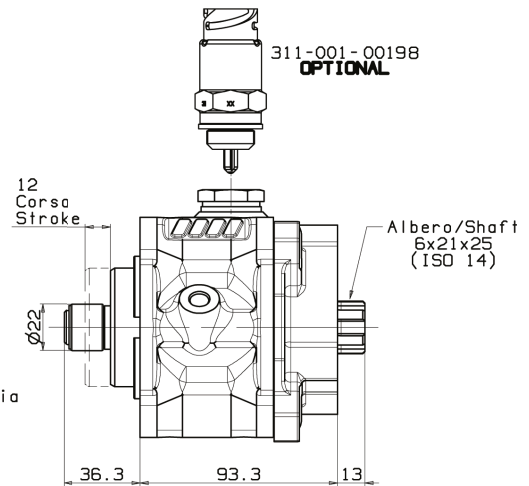
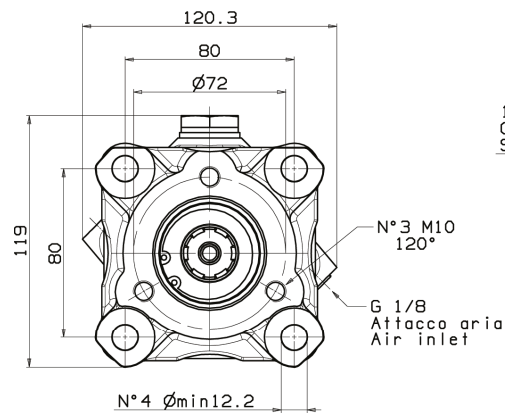
Телефонуйте: +380 (95) 670-15-32, +380 (98) 533-91-67, +380 (96) 244-48-42

## INGOMBRI OVERALL DIMENSIONS

### 10-40-135

#### Vers. 13

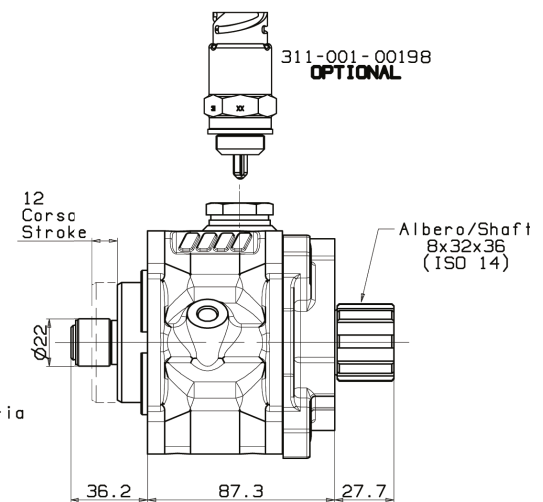
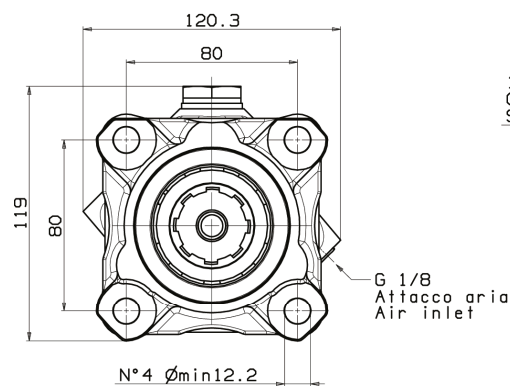
Flangia 3 fori UNI  
albero UNI 21x25  
Flange UNI 3 bolt  
shaft UNI 21x25



### 10-40-153

#### Vers. 15

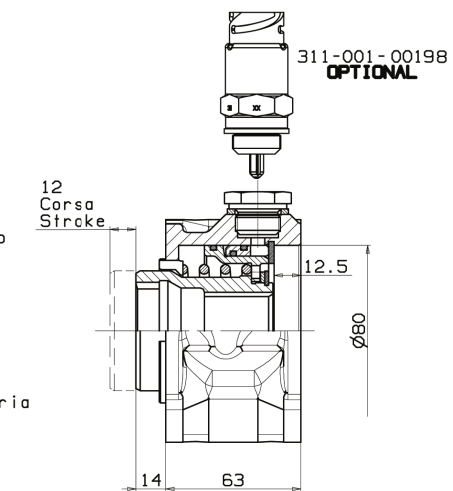
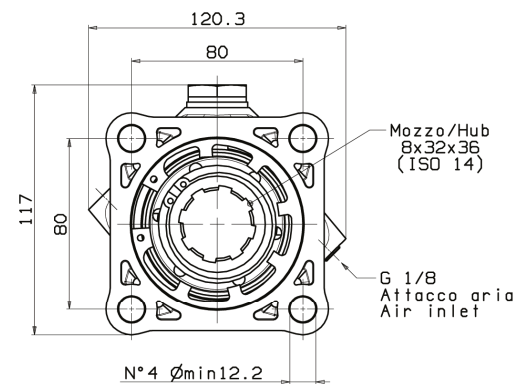
Flangia 4 fori ISO  
albero maschio  
32x36 DIN 5462  
Flange ISO 4 bolt  
male shaft  
32x36 DIN 5462



### 10-40-171

#### Vers. 17

Flangia 4 fori ISO  
albero femmina  
32x36 DIN 5462  
Flange ISO 4 bolt  
female shaft  
32x36 DIN 5462



COMPANY WITH  
QUALITY SYSTEM  
CERTIFIED BY DNV GL  
= ISO 9001:2015 =

pag.2

O.M.F.B. S.p.A. Hydraulic Components  
We reserve the right to make any changes without notice.  
Edition 2004.01 No reproduction, however partial, is permitted.  
Via Cave, 7/9 25050 Provaglio d'Iseo (Brescia) Italy Tel.: +39.030.9830611  
Fax: +39.030.9839207-208 Internet:www.omfb.it e-mail:info@omfb.it

**OMFB**  
HYDRAULIC COMPONENTS