

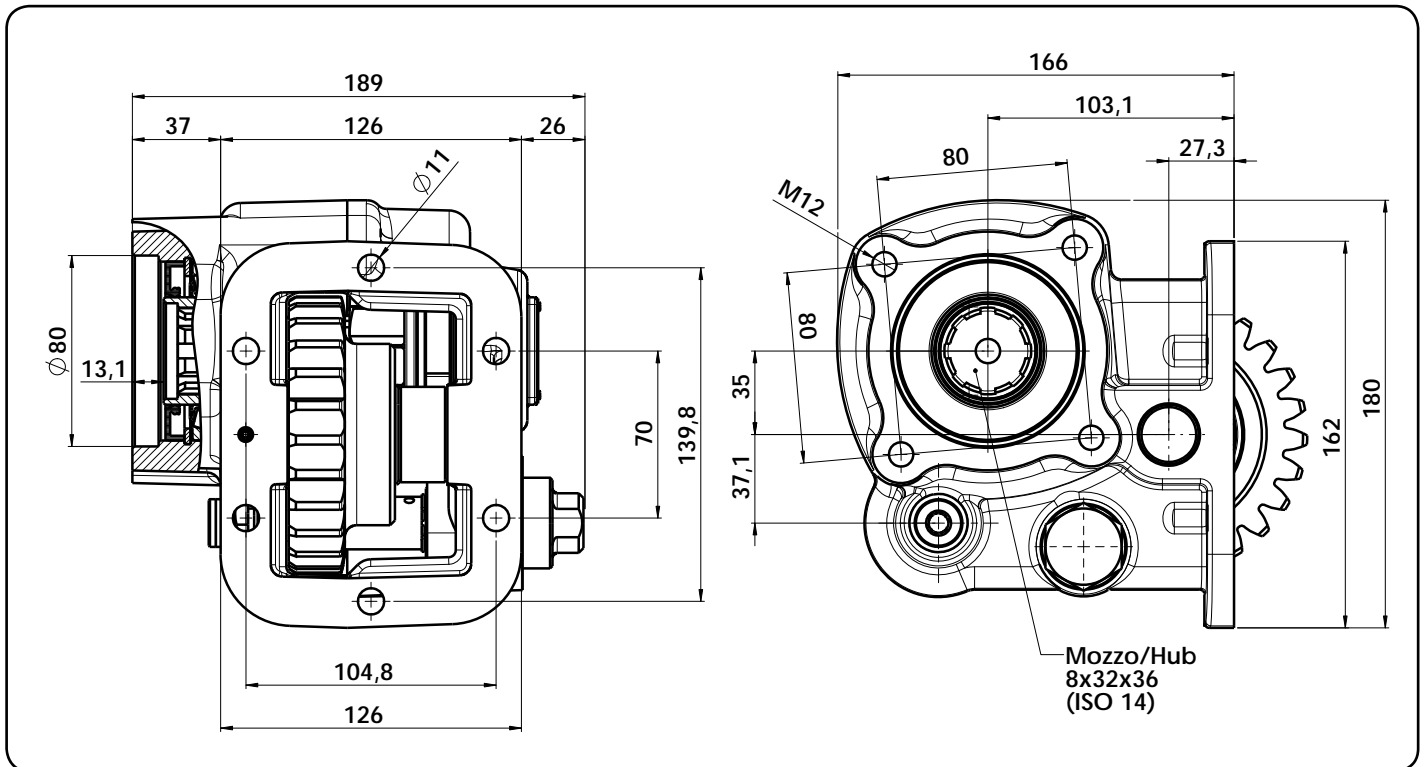
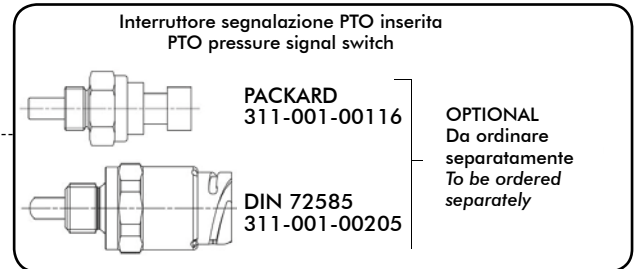
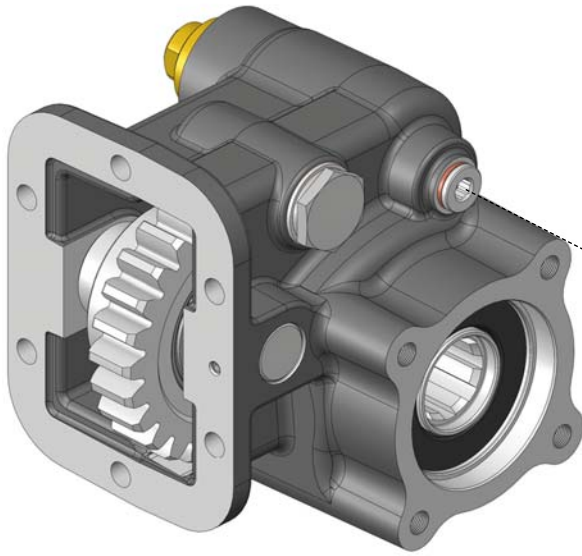
**PRESA DI FORZA A
COMANDO PNEUMATICO
PNEUMATIC CLUTCH
POWER TAKE-OFF**

CODICE PTO
PTO CODE

086-005-00175

CAMBIO
GEARBOX

KAMAZ
14-100/15-100



Data: Martedì 23 febbraio 2016

Codice foglio: 997-286-00517 Rev: AA

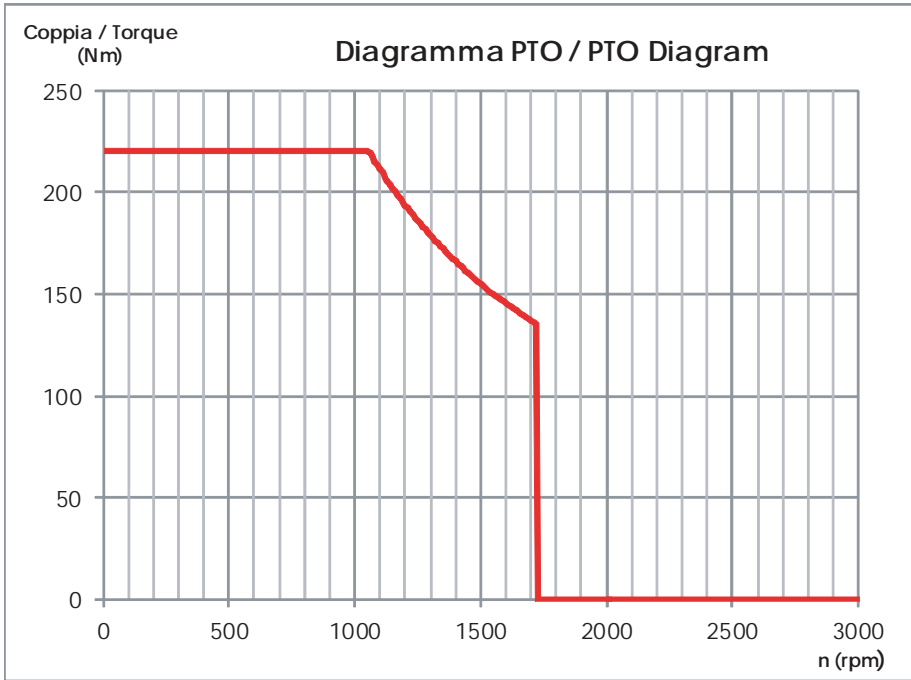
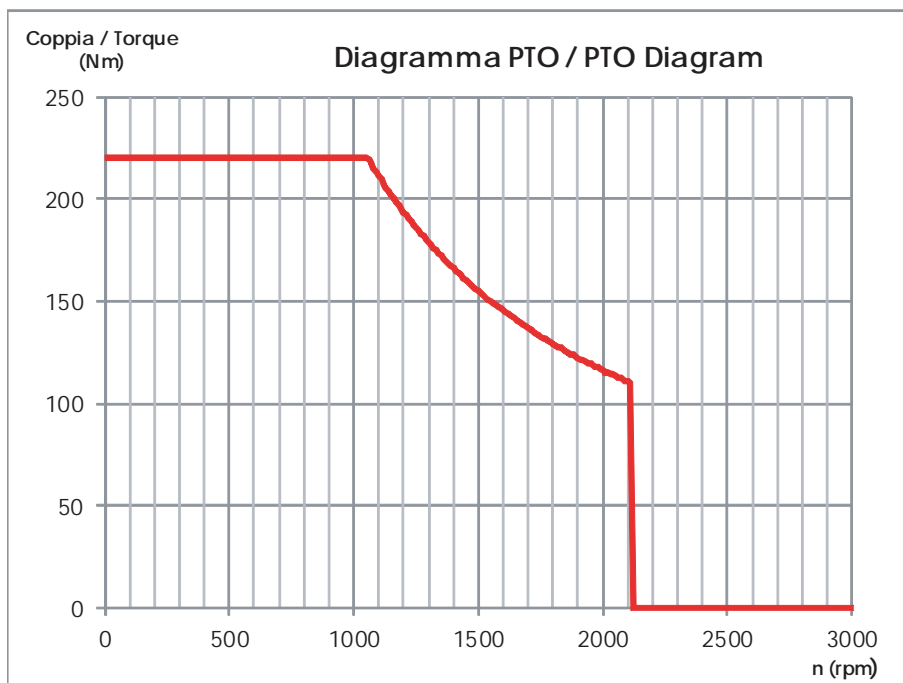
Tipo cambio Gearbox	Codice PTO PTO code	Versione Version	Giri pto a 1000 giri motore Pto ratio@1000 eng.rpm		Coppia massima Max torque Nm	Lato montaggio Mounting side	Uscita Output	Rotazione Rotation	Kit di montaggio Mounting kit	Peso Weight
			Lenta Low	Veloce High						
KAMAZ 14-100 5 MARCE/SPEED	086-005-00175	17	862	----	220	Dx Right	Post. Rear	Ant. Acw	154-3-3044	12 Kg
KAMAZ 15-100 10 MARCE/SPEED			862	1057						

pag.1



O.M.F.B. S.p.A. Hydraulic Components
We reserve the right to make any changes without notice.
Edition 2016.02 No reproduction, however partial, is permitted.
Via Cave, 7/9 25050 Provaglio d'Iseo (Brescia) Italy Tel.: +39.030.9830611
Fax: +39.030.9839207-208 Internet: www.omfb.it e-mail: info@omfb.it

**COMPANY WITH
QUALITY SYSTEM
CERTIFIED BY DNV GL
= ISO 9001 =**

KAMAZ 14-100**KAMAZ 15-100**

Data: Martedì 23 febbraio 2016

Codice foglio: 997-286-00517 Rev: AA

pag.2

COMPANY WITH
QUALITY SYSTEM
CERTIFIED BY DNV GL
= ISO 9001 =

O.M.F.B. S.p.A. Hydraulic Components
We reserve the right to make any changes without notice.
Edition 2016.02 No reproduction, however partial, is permitted.
Via Cave, 7/9 25050 Provaglio d'Iseo (Brescia) Italy Tel.: +39.030.9830611
Fax: +39.030.9839207-208 Internet: www.omfb.it e-mail: info@omfb.it

OMFB
HYDRAULIC COMPONENTS