



# GE5

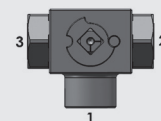
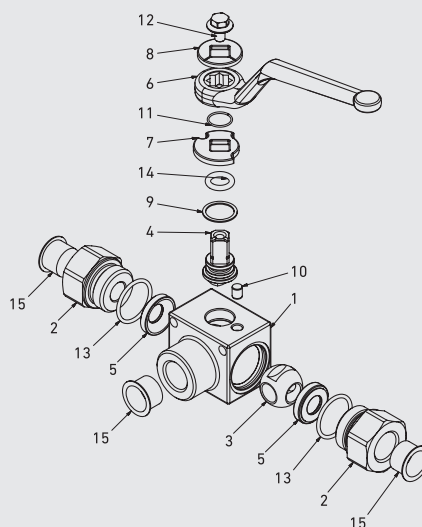
## 3-WAY HIGH PRESSURE BALL VALVES

Edition. 21.0

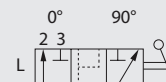
### CS Carbon Steel

- Type: ball valve 3 way
- Sizes: from DN6 up to DN13
- Ends: BSP-NPT-SAE
- Pressure: up to PN500
- Temp range: from -20°C to +100°C
- Treatment: Galvanized

### STANDARD COMPOSITION OF VALVE



**WARNING!**  
Pressure inlet only  
from center port 1



POS	DESCRIPTION	Q.TY	MATERIAL
1	Body	1	1,0737
2	Adapter	2	1,0737
3	Ball	1	1,0737
4	Stem	1	1,0737
5	Ball seat	2	POM
6	Handle	1	ZINC
7	Washer	1	1,0116
8	Washer	1	1,0116
9	Stem ring	1	POM
10	Pin	1	1,0737
11	Seeger	1	1,4404
12	Adapter o-ring	2	NBR
13	Stem o-ring	1	NBR
14	Screw	1	Din 6921 8.8
15	Caps	3	PVC



SMALLER DESIGN

CODE DESCRIPTION STRUCTURE

GE5	G3/8	DN10	1	1	1	1	A	B
-----	------	------	---	---	---	---	---	---

Type and way of valve

GE5 3-way

Ends

GAS DIN/ ISO 228 BSP	NPT ANSI /ASME B1.20.1	SAE J1926-1
G 1/4	N 1/4	SAE4
G 3/8	N 3/8	SAE6
G 1/2	N 1/2	SAE8

Size

from DN6 to DN13

Body Material

● 1 = 1,0737

Adapter material

● 1 = 1,0737

Stem material

● 1 = 1,0737 4 = 1,4404\*

Ball Material

● 1 = 1,0737 4 = 1,4404\*

Seat material

A = POM

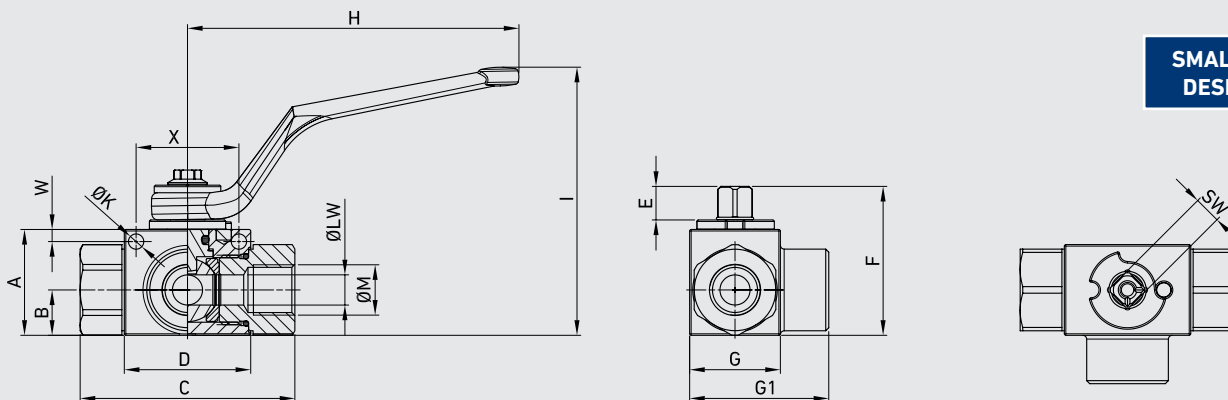
Seal material

B = NBR

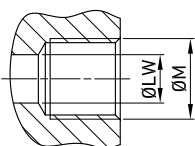
\*On request

- Reduced bore
- Special threads
- Pressure class up to PN50 Mpa
- Pneumatic and electrical actuator
- Security block
- Locking device

For further special requests please consult our technical/commercial service.



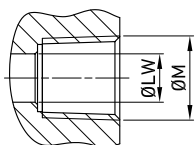
**SMALLER DESIGN**



**GE5 DIN/ISO 228 BSP**

**CS**  
Carbon Steel  
ITEM CODE  
**FIXING HOLES INCLUDED**

TYPE	DN	PN	A	B	C	D	E	F	G	G1	H	I	ØM	ØK	W	X	SW	ØLW	WEIGHT
GE5 G 1/4	6	MPa 50	mm 33	14,3	69	40,4	11,1	47,15	26	42	110	87	G 1/4	5,10	4	34	9	6	kg 0,411
		Psi 7250	inch 1,30	0,56	2,72	1,59	0,44	1,86	1,02	1,65	4,33	3,43		0,20	0,16	1,34	0,35	0,24	lb 0,91
GE5 G 3/8	10	MPa 50	mm 35	15	71	41,8	11,1	49,15	30	46	110	89	G 3/8	5,1	4	34	9	10	kg 0,512
		Psi 7250	inch 1,38	0,59	2,80	1,65	0,44	1,94	1,18	1,81	4,33	3,50		0,20	0,16	1,34	0,35	0,39	lb 1,13
GE5 G 1/2	13	MPa 50	mm 40	18,3	83	44,4	11,1	54,15	35	54	110	94	G 1/2	5,1	4	36	9	13	kg 0,72
		Psi 7250	inch 1,57	0,72	3,27	1,75	0,44	2,13	1,38	2,13	4,33	3,70		0,20	0,16	1,42	0,35	0,51	lb 1,59

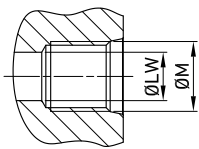


**GE5 ANSI/ASME B1.20.1 NPT**

**CS**  
Carbon Steel  
ITEM CODE  
**FIXING HOLES INCLUDED**

TYPE	DN	PN	A	B	C	D	E	F	G	G1	H	I	ØM	ØK	W	X	SW	ØLW	WEIGHT
GE5 N 1/4	6	MPa 50	mm 33	14,3	69	40,4	11,1	47,15	26	42	110	87	N 1/4	5,10	4	34	9	6	kg 0,411
		Psi 7250	inch 1,30	0,56	2,72	1,59	0,44	1,86	1,02	1,65	4,33	3,43		0,20	0,16	1,34	0,35	0,24	lb 0,91
GE5 N 3/8	10	MPa 50	mm 35	15	71	41,8	11,1	49,15	30	46	110	89	N 3/8	5,1	4	34	9	10	kg 0,512
		Psi 7250	inch 1,38	0,59	2,80	1,65	0,44	1,94	1,18	1,81	4,33	3,50		0,20	0,16	1,34	0,35	0,39	lb 1,13
GE5 N 1/2	13	MPa 50	mm 40	18,3	83	44,4	11,1	54,15	35	54	110	94	N 1/2	5,1	4	36	9	13	kg 0,72
		Psi 7250	inch 1,57	0,72	3,27	1,75	0,44	2,13	1,38	2,13	4,33	3,70		0,20	0,16	1,42	0,35	0,51	lb 1,59

The company reserves the right to operate dimensional changes without prior notice.


**GE5 SAE J1926-1**

CS

Carbon Steel

TYPE	DN	PN	A	B	C	D	E	F	G	G1	H	I	ØM	ØK	W	X	SW	ØLW	WEIGHT	ITEM CODE	
GE5 SAE4	6	MPa 50	mm	33	14,3	69	40,4	11,1	47,15	26	42	110	87	7/16	5,10	4	34	9	6	kg 0,411	GE5EEE05011A000
		Psi 7250	inch	1,30	0,56	2,72	1,59	0,44	1,86	1,02	1,65	4,33	3,43	UNF	0,20	0,16	1,34	0,35	0,24	lb 0,91	
GE5 SAE6	10	MPa 50	mm	35	15	71	41,8	10,8	49,15	30	46	110	89	9/16	5,1	4	34	9	10	kg 0,512	GE5EEE15011A000
		Psi 7250	inch	1,38	0,59	2,80	1,65	0,43	1,94	1,18	1,81	4,33	3,50	UNF	0,20	0,16	1,34	0,35	0,39	lb 1,13	
GE5 SAE8	13	MPa 50	mm	40	18,3	83	44,4	11,1	54,15	35	54	110	94	3/4	5,1	4	36	9	13	kg 0,72	GE5EEE25011A000
		Psi 7250	inch	1,57	0,72	3,27	1,75	0,44	2,13	1,38	2,13	4,33	3,70	UNF	0,20	0,16	1,42	0,35	0,51	lb 1,59	

 FIXING HOLES  
INCLUDED