

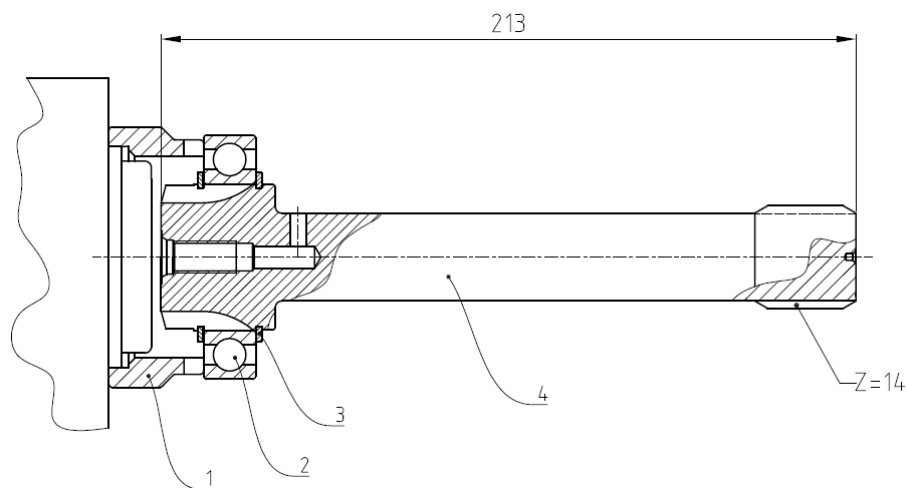


ADAPTER KIT TO POWER TAKE OFFS ZF

8-S-151; 16-S-151 ; 16-S-181 ; 16-S-221 ; 16-S-1620 TD ; 16-S-1820 TO;
16-S-1920 TD;16-S-2220 TO/TD; 16-S-2520 TO; 8S-1620 TD; 8S-1820 TO;
8S-220 TO; 16S-2320 TD; 16S-2330 TD; 16S-2720 TO; 16S-2730 TO

Ref. VK4001S
VK4001AM

Main Dimensions



- 1 – Spacer
- 2 – Bearing
- 3 – Circlip
- 4 – Adapter shaft VK4001

(Dimensions in mm)

Main Data

Continuous Torque (Nm)	600
Intermittent Torque (Nm)	840
Power (at 1000 r.p.m)	85 H.P. / 64 Kw
Weight (Kg)	1.7
Engine-Kit adapter ratio	

8-S-151 / 13.79 - 1:0.920

8-S-1620 TD / 13.80-1.0 - 1:0.910

8-S-1820 TO / 11.54-0.84 ; 8-S-220 TO / 11.54-0.84 - 1:1.090

16-S-151 / 13.85-0.84 High:- 1:0.920 Normal:- 1:0.770
/ 16.53-1.00 High:- 1:0.920 Normal:- 1:0.770

16-S-221 / 13.85-0.84 High:- 1:0.920 Normal:- 1:0.770
/ 16.53-1.00 High:- 1:0.920 Normal:- 1:0.770

16-S-181 / 13.85-0.84 High:- 1:0.920 Normal:- 1:0.770
/ 16.53-1.00 High:- 1:0.920 Normal:- 1:0.770

16-S-1820 TO ; 16-S-2220 TO ; 16-S-2520 TO ; 16-S-2720 TO ; 16-S-2730 TO / 13.80-0.84 High:- 1:1.090 Normal:- 1:0.910

16-S-1620 TD ; 16-S-1920 TD ; 16-S-2220 TD ; 16-S-2320 TD ; 16-S-2330 TD / 16.41-1.0 High:- 1:0.910 Normal:- 1:0.770

Note 1: For getting the correct ratio is necessary to multiply the above mentioned ratio by the internal ratio in all S6-90 releases.

Example: Gearbox 16-S-151 / 13.85-0.84 Adapter Kit + ZF S6-90 (Ref. TF4002AMP) Internal Ratio 1:1.32

Final ratio: High - 1 : 1.214 (0.920 x 1.32 = 1.214)

Normal - 1 : 1.016 (0.770 x 1.32 = 1.016)

Note 2: Adapter Kit is supplied without studs. Please use those that are provided with the PTO.

ABER is constantly engaged in improving its products and, therefore, reserves itself the right to modify without any further notice the characteristics shown
The gear boxes are in constant change; therefore, ABER is not to be held responsible for any damage resulting from wrong application or application of outdated material



ABER - Embragens e Comandos Hidráulicos - A. B. LDA

Rua Francisco de Almeida, Nº 30 – Vila Nova da Telha – 4470 MAIA - Portugal

Telephone: +351.22.9438070 Fax: +351.22.9420823 e-mail: aber@aber.pt <http://www.aber.pt>

1/1

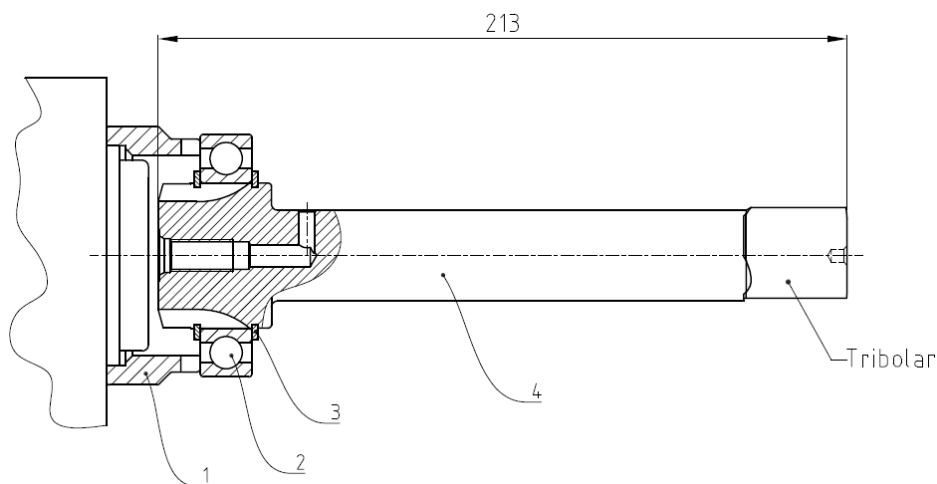


ADAPTER KIT TO POWER TAKE OFFS ZF

16-S-130 ; 16-S-160 ; 16-S-190 ; 16-S-220 ; 16-S-112/17,28 ; 8-S-151 ;
16-S-151 ; 16-S-181 ; 16-S-221

Ref. VK4002S
VK4002AM

Main Dimensions



- 1 – Spacer
- 2 – Bearing
- 3 – Circlip
- 4 – Adapter shaft VK4002

(Dimensions in mm)

Main Data

Continuous Torque (Nm)	300
Intermittent Torque (Nm)	420
Power (at 1000 r.p.m)	42 H.P. / 32 Kw
Weight (Kg)	1.7
Engine-Kit adapter ratio	

16-S-130/11.46	High: - 1 : 0.97	Normal: - 1 : 0.82
/ 13.68	High: - 1 : 0.97	Normal: - 1 : 0.82
/ 14.14	High: - 1 : 0.92	Normal: - 1 : 0.77
/ 16.47	High: - 1 : 0.92	Normal: - 1 : 0.77
/ 17.47	High: - 1 : 0.91	Normal: - 1 : 0.74
/ 11.74	High: - 1 : 0.97	Normal: - 1 : 0.82
/ 13.80	High: - 1 : 0.92	Normal: - 1 : 0.77
/ 14.29	High: - 1 : 0.91	Normal: - 1 : 0.74
/ 17.06	High: - 1 : 0.91	Normal: - 1 : 0.74

Note 1:

For getting the correct ratio is necessary to multiply the above mentioned ratio by the internal ratio in all S6-90 releases.

Example:

Gearbox 16-S-130 / 11.46 Adapter Kit + ZF S6-90 (Ref. TF4002AMP) Internal Ratio 1:1.32

Final ratio: High - 1 : 1.2804 (0.97 x 1.32 = 1.2804)

Normal - 1 : 1.0824 (0.82 x 1.32 = 1.0824)

Note 2:

Adapter Kit is supplied without studs. Please use those that are provided with the PTO.

ABER is constantly engaged in improving its products and, therefore, reserves itself the right to modify without any further notice the characteristics shown. The gear boxes are in constant change; therefore, ABER is not to be held responsible for any damage resulting from wrong application or application of outdated material.



ABER - Embragens e Comandos Hidráulicos - A. B. LDA

Rua Francisco de Almeida, Nº 30 – Vila Nova da Telha – 4470 MAIA - Portugal

Telephone: +351.22.9438070 Fax: +351.22.9420823 e-mail: aber@aber.pt <http://www.aber.pt>

1/1

ТОВ "Промислова Гідравліка": <https://promhydraulic.com.ua/ua/>

Телефонуйте: +380 (95) 670-15-32, +380 (98) 533-91-67, +380 (96) 244-48-42

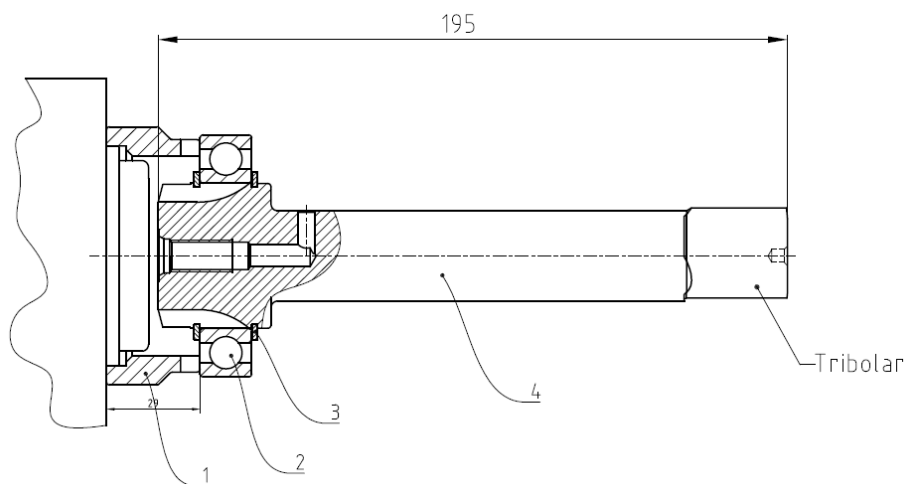


ADAPTER KIT TO POWER TAKE OFFS ZF

16-K-130 ; 16-S-112 ; 16-S-150

Ref. VK4005S
VK4005AM

Main Dimensions



- 1 – Spacer
- 2 – Bearing
- 3 – Circlip
- 4 – Adapter shaft VK4005

(Dimensions in mm)

Main Data

Continuous Torque (Nm)	300
Intermittent Torque (Nm)	420
Power (at 1000 r.p.m)	42 H.P. / 32 Kw
Weight (Kg)	1.7
Engine-Kit adapter ratio	

16-S-112/11.46 High: - 1 : 0.963 Normal: - 1 : 0.820
/ 13.68 High: - 1 : 0.963 Normal: - 1 : 0.820

Note 1:

For getting the correct ratio is necessary to multiply the above mentioned ratio by the internal ratio in all S6-90 releases.

Example:

Gearbox 16-S-112 / 11.46 Adapter Kit + ZF S6-90 (Ref. TF4002AMP) Internal Ratio 1:1.32

Final ratio: High - 1 : 1.27116 (0.963 x 1.32 = 1.27116)

Normal - 1 : 1.0824 (0.82 x 1.32 = 1.0824)

Note 2:

Adapter Kit is supplied without studs. Please use those that are provided with the PTO.

CTI VK4005S / VK4005AM 0811-1

ABER is constantly engaged in improving its products and, therefore, reserves itself the right to modify without any further notice the characteristics shown. The gear boxes are in constant change; therefore, ABER is not to be held responsible for any damage resulting from wrong application or application of outdated material.



ABER - Embraiaçens e Comandos Hidráulicos - A. B. LDA

Rua Francisco de Almeida, Nº 30 – Vila Nova da Telha – 4470 MAIA - Portugal

Telephone: +351.22.9438070 Fax: +351.22.9420823 e-mail: aber@aber.pt <http://www.aber.pt>

1/1

ТОВ "Промислова Гідравліка": <https://promhydraulic.com.ua/ua/>

Телефонуйте: +380 (95) 670-15-32, +380 (98) 533-91-67, +380 (96) 244-48-42

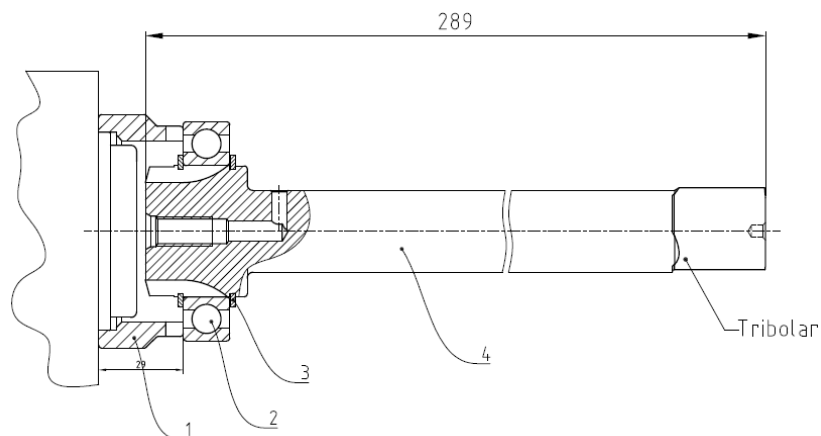


ADAPTER KIT TO POWER TAKE OFFS ZF

16-S-112 A ; 16-S-130 A ; 16-S-160 A ; 16-S-190 A ; 16-S-220 A

Ref. VK4006S
VK4006AM

Main Dimensions



- 1 – Spacer
- 2 – Bearing
- 3 – Circlip
- 4 – Adapter shaft VK4006

(Dimensions in mm)

Main Data

Continuous Torque (Nm)	300
Intermittent Torque (Nm)	420
Power (at 1000 r.p.m)	42 H.P. / 32 Kw
Weight (Kg)	2
Engine-Kit adapter ratio	
16-S-160 A / 11.74	High: .- 1 : 0.963 Normal: .- 1 : 0.820
/ 17.47	High: .- 1 : 0.910 Normal: .- 1 : 0.740
/ 14.14	High: .- 1 : 0.920 Normal: .- 1 : 0.770
16-S-190 A / 11.74	High: .- 1 : 0.970 Normal: .- 1 : 0.820
16-S-220 A / 14.14	High: .- 1 : 0.920 Normal: .- 1 : 0.770

Note 1:

For getting the correct ratio is necessary to multiply the above mentioned ratio by the internal ratio in all S6-90 releases.

Example:

Gearbox 16-S-160 A / 11.74 Adapter Kit + ZF S6-90 (Ref. TF4002AMP) Internal Ratio 1:1.32

Final ratio: High .- 1 : 1.271 (0.963 x 1.32 = 1.271)

Normal .- 1 : 1.082 (0.820 x 1.32 = 1.082)

Note 2:

Adapter Kit is supplied without studs. Please use those that are provided with the PTO.

CTI VK4006S / VK4006AM 0811-1

ABER is constantly engaged in improving its products and, therefore, reserves itself the right to modify without any further notice the characteristics shown. The gear boxes are in constant change; therefore, ABER is not to be held responsible for any damage resulting from wrong application or application of outdated material.



ABER - Embraiaçes e Comandos Hidráulicos - A. B. LDA

Rua Francisco de Almeida, Nº 30 – Vila Nova da Telha – 4470 MAIA - Portugal

Telephone: +351.22.9438070 Fax: +351.22.9420823 e-mail: aber@aber.pt <http://www.aber.pt>

1/1

ТОВ "Промислова Гідравліка": <https://promhydraulic.com.ua/ua/>

Телефонуйте: +380 (95) 670-15-32, +380 (98) 533-91-67, +380 (96) 244-48-42

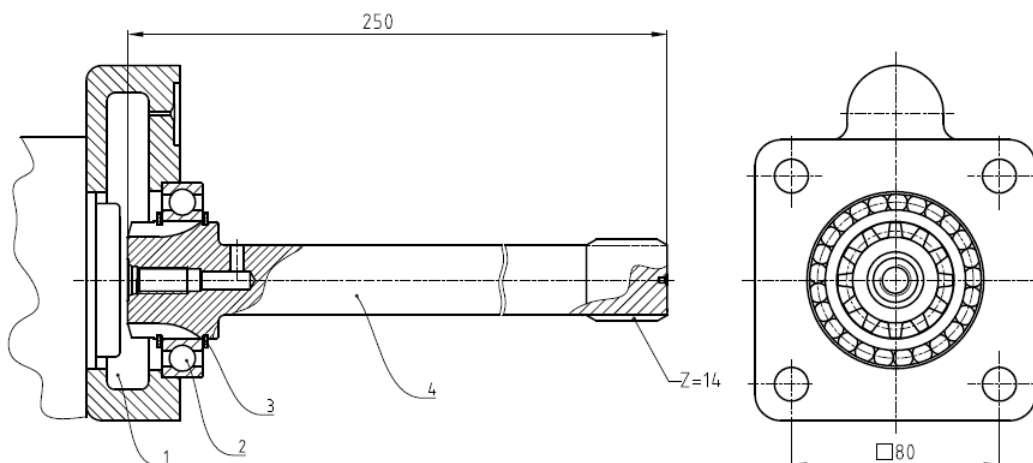


ADAPTER KIT TO POWER TAKE OFFS ZF

Ref.VK4007S

16-S-151 IT; 16-S-181 IT; 16-S-221 IT; 16-S-1621 TD IT; 16-S-1821 TO IT;
16-S-1921 TD IT; 16-S-2221 TD/TO IT; 16-S-2321 TD IT; 16-S-2331 TD IT;
16-S-2521 TO IT; 16-S-2721 TO IT; 16-S-2731 TO IT

Main Dimensions



- 1 – Spacer
- 2 – Bearing
- 3 – Circlip
- 4 – Adapter shaft VK4007

(Dimensions in mm)

Main Data

Continuous Torque (Nm)	600
Intermittent Torque (Nm)	840
Power (at 1000 r.p.m)	85 H.P. / 64 Kw
Weight (Kg)	2
Engine-Kit adapter ratio	

16-S-151/221 /13.80 High:- 1 : 0.92 Normal:- 1 : 0.77		
/13.85 High:- 1 : 0.92 Normal:- 1 : 0.77		
/16.41 High:- 1 : 0.92 Normal:- 1 : 0.77		
/16.47 High:- 1 : 0.92 Normal:- 1 : 0.77		
/16.53 High:- 1 : 0.92 Normal:- 1 : 0.77		
16-S-1621 TD IT; 16-S-1921 TD IT; 16-S-2221 TD IT; 16-S-2321 TD IT; 16-S-2331 TD IT	/16.41	High:- 1 : 0.91 Normal:- 1 : 0.77
16-S-1821 TO IT; 16-S-2221 TO IT; 16-S-2521 TO IT; 16-S-2721 TO IT; 16-S-2731 TO IT	/13.80	High:- 1 : 1.09 Normal:- 1 : 0.91

KIT Studs:

KIT VK4007S for PTO (ratio 1:1)

- 4 stud M12x155
- 4 nut M12
- 4 washer
- 1 jute ZF
- 1 jute IT

ABER is constantly engaged in improving its products and, therefore, reserves itself the right to modify without any further notice the characteristics shown
The gear boxes are in constant change; therefore, ABER is not to be held responsible for any damage resulting from wrong application or application of outdated material



ABER - Embraagens e Comandos Hidráulicos - A. B. LDA
Rua Francisco de Almeida, Nº 30 – Vila Nova da Telha – 4470 MAIA - Portugal
Telephone: +351.22.9438070 Fax: +351.22.9420823 e-mail: aber@aber.pt <http://www.aber.pt>

CTI VK4007S 1004-3

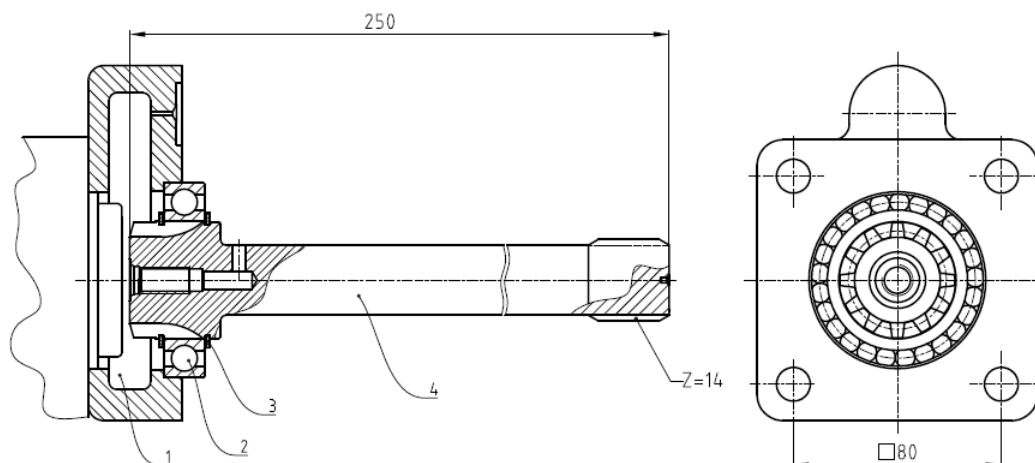


ADAPTER KIT TO POWER TAKE OFFS ZF

Ref.VK4007AM

16-S-151 IT; 16-S-181 IT; 16-S-221 IT; 16-S-1621 TD IT; 16-S-1821 TO IT;
16-S-1921 TD IT; 16-S-2221 TD/TO IT; 16-S-2321 TD IT; 16-S-2331 TD IT;
16-S-2521 TO IT; 16-S-2721 TO IT; 16-S-2731 TO IT

Main Dimensions



- 1 – Spacer
- 2 – Bearing
- 3 – Circlip
- 4 – Adapter shaft VK4007

(Dimensions in mm)

Main Data

Continuous Torque (Nm)	600
Intermittent Torque (Nm)	840
Power (at 1000 r.p.m)	85 H.P. / 64 Kw
Weight (Kg)	2
Engine-Kit adapter ratio	
16-S-151/221 /13.80 High:- 1 : 0.92 Normal:- 1 : 0.77	
/13.85 High:- 1 : 0.92 Normal:- 1 : 0.77	
/16.41 High:- 1 : 0.92 Normal:- 1 : 0.77	
/16.47 High:- 1 : 0.92 Normal:- 1 : 0.77	
/16.53 High:- 1 : 0.92 Normal:- 1 : 0.77	
16-S-1621 TD IT; 16-S-1921 TD IT; 16-S-2221 TD IT; 16-S-2321 TD IT; 16-S-2331 TD IT	/16.41 High:- 1 : 0.91 Normal:- 1 : 0.77
16-S-1821 TO IT; 16-S-2221 TO IT; 16-S-2521 TO IT; 16-S-2721 TO IT; 16-S-2731 TO IT	/13.80 High:- 1 : 1.09 Normal:- 1 : 0.91

Note: For getting the correct ratio is necessary to multiply the above mentioned ratio by the internal ratio in all S6-90 releases.

Example: Gearbox 16-S-151 Adapter Kit + ZF S6-90 (Ref. TF4002AMP) Internal Ratio 1:1.32

Final ratio: High - 1 : 1.2144 (0.92 x 1.32 = 1.2144)

Normal - 1 : 1.0164 (0.77 x 1.32 = 1.0164)

KIT Studs: KIT VK4007AM for PTO (ratio 1:1.32)

- 2 stud M12x135
- 2 stud M12x170
- 4 nut M12
- 4 washer
- 1 Jute ZF
- 1 Jute IT

ABER is constantly engaged in improving its products and, therefore, reserves itself the right to modify without any further notice the characteristics shown
The gear boxes are in constant change; therefore, ABER is not to be held responsible for any damage resulting from wrong application or application of outdated material



ABER - Embragens e Comandos Hidráulicos - A. B. LDA

Rua Francisco de Almeida, Nº 30 – Vila Nova da Telha – 4470 MAIA - Portugal

Telephone: +351.22.9438070 Fax: +351.22.9420823 e-mail: aber@aber.pt <http://www.aber.pt>

1/1

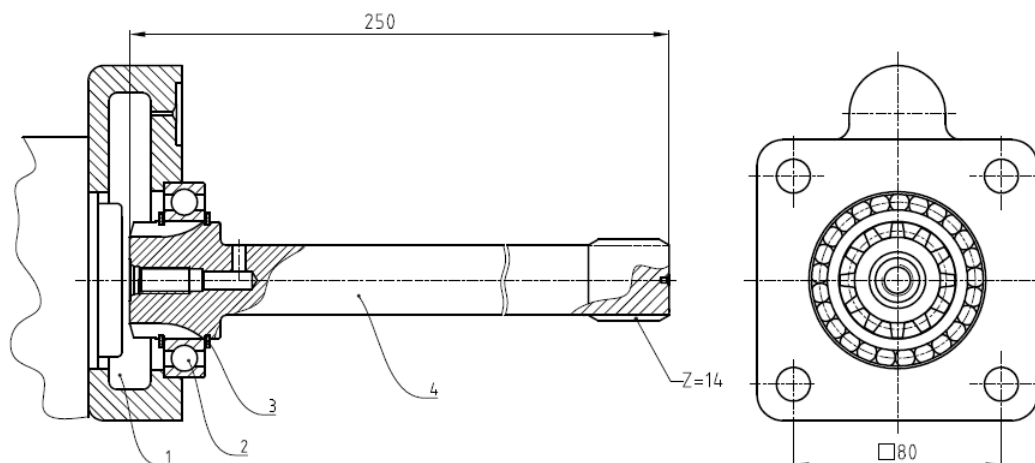


ADAPTER KIT TO POWER TAKE OFFS ZF

Ref.VK4007AM

16-S-151 IT; 16-S-181 IT; 16-S-221 IT; 16-S-1621 TD IT; 16-S-1821 TO IT;
16-S-1921 TD IT; 16-S-2221 TD/TO IT; 16-S-2321 TD IT; 16-S-2331 TD IT;
16-S-2521 TO IT; 16-S-2721 TO IT; 16-S-2731 TO IT

Main Dimensions



- 1 – Spacer
- 2 – Bearing
- 3 – Circlip
- 4 – Adapter shaft VK4007

(Dimensions in mm)

Main Data

Continuous Torque (Nm)	600
Intermittent Torque (Nm)	840
Power (at 1000 r.p.m)	85 H.P. / 64 Kw
Weight (Kg)	2
Engine-Kit adapter ratio	
16-S-151/221 /13.80 High:- 1 : 0.92 Normal:- 1 : 0.77	
/13.85 High:- 1 : 0.92 Normal:- 1 : 0.77	
/16.41 High:- 1 : 0.92 Normal:- 1 : 0.77	
/16.47 High:- 1 : 0.92 Normal:- 1 : 0.77	
/16.53 High:- 1 : 0.92 Normal:- 1 : 0.77	
16-S-1621 TD IT; 16-S-1921 TD IT; 16-S-2221 TD IT; 16-S-2321 TD IT; 16-S-2331 TD IT	/16.41 High:- 1 : 0.91 Normal:- 1 : 0.77
16-S-1821 TO IT; 16-S-2221 TO IT; 16-S-2521 TO IT; 16-S-2721 TO IT; 16-S-2731 TO IT	/13.80 High:- 1 : 1.09 Normal:- 1 : 0.91

Note: For getting the correct ratio is necessary to multiply the above mentioned ratio by the internal ratio in all S6-90 releases.

Example: Gearbox 16-S-151 Adapter Kit + ZF S6-90 (Ref. TF4002AMP) Internal Ratio 1:1.32

Final ratio: High - 1 : 1.2144 (0.92 x 1.32 = 1.2144)

Normal - 1 : 1.0164 (0.77 x 1.32 = 1.0164)

KIT Studs: KIT VK4007AM for PTO (ratio 1:1.32)

- 2 stud M12x135
- 2 stud M12x170
- 4 nut M12
- 4 washer
- 1 Jute ZF
- 1 Jute IT

ABER is constantly engaged in improving its products and, therefore, reserves itself the right to modify without any further notice the characteristics shown
The gear boxes are in constant change; therefore, ABER is not to be held responsible for any damage resulting from wrong application or application of outdated material



ABER - Embragens e Comandos Hidráulicos - A. B. LDA

Rua Francisco de Almeida, Nº 30 – Vila Nova da Telha – 4470 MAIA - Portugal

Telephone: +351.22.9438070 Fax: +351.22.9420823 e-mail: aber@aber.pt <http://www.aber.pt>

1/1

CTI VK4007AM 1004-3

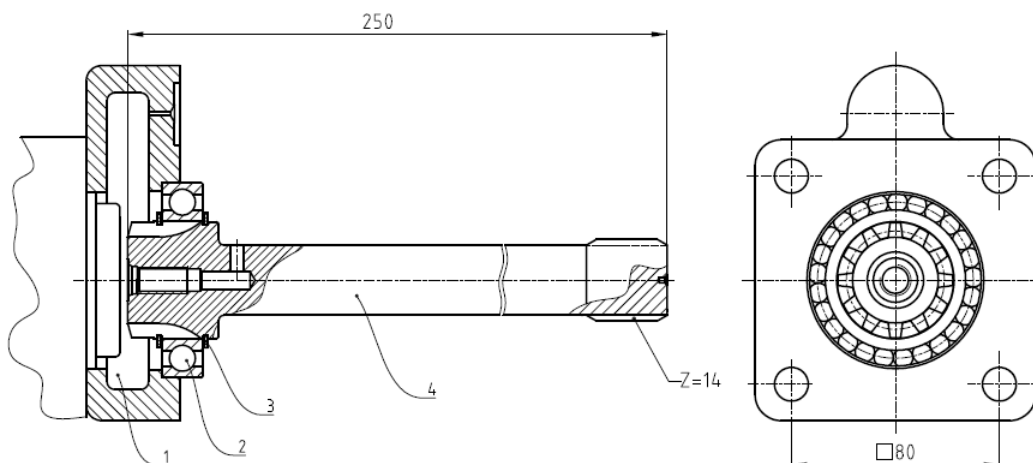


ADAPTER KIT TO POWER TAKE OFFS ZF

Ref.VK4007S

16-S-151 IT; 16-S-181 IT; 16-S-221 IT; 16-S-1621 TD IT; 16-S-1821 TO IT;
16-S-1921 TD IT; 16-S-2221 TD/TO IT; 16-S-2321 TD IT; 16-S-2331 TD IT;
16-S-2521 TO IT; 16-S-2721 TO IT; 16-S-2731 TO IT

Main Dimensions



- 1 – Spacer
- 2 – Bearing
- 3 – Circlip
- 4 – Adapter shaft VK4007

(Dimensions in mm)

Main Data

Continuous Torque (Nm)	600
Intermittent Torque (Nm)	840
Power (at 1000 r.p.m)	85 H.P. / 64 Kw
Weight (Kg)	2
Engine-Kit adapter ratio	

16-S-151/221 /13.80 High:- 1 : 0.92 Normal:- 1 : 0.77		
/13.85 High:- 1 : 0.92 Normal:- 1 : 0.77		
/16.41 High:- 1 : 0.92 Normal:- 1 : 0.77		
/16.47 High:- 1 : 0.92 Normal:- 1 : 0.77		
/16.53 High:- 1 : 0.92 Normal:- 1 : 0.77		
16-S-1621 TD IT; 16-S-1921 TD IT; 16-S-2221 TD IT; 16-S-2321 TD IT; 16-S-2331 TD IT	/16.41	High:- 1 : 0.91 Normal:- 1 : 0.77
16-S-1821 TO IT; 16-S-2221 TO IT; 16-S-2521 TO IT; 16-S-2721 TO IT; 16-S-2731 TO IT	/13.80	High:- 1 : 1.09 Normal:- 1 : 0.91

KIT Studs:

KIT VK4007S for PTO (ratio 1:1)

- 4 stud M12x155
- 4 nut M12
- 4 washer
- 1 jute ZF
- 1 jute IT

ABER is constantly engaged in improving its products and, therefore, reserves itself the right to modify without any further notice the characteristics shown
The gear boxes are in constant change; therefore, ABER is not to be held responsible for any damage resulting from wrong application or application of outdated material



ABER - Embraagens e Comandos Hidráulicos - A. B. LDA
Rua Francisco de Almeida, Nº 30 – Vila Nova da Telha – 4470 MAIA - Portugal
Telephone: +351.22.9438070 Fax: +351.22.9420823 e-mail: aber@aber.pt <http://www.aber.pt>

CTI VK4007S 1004-3

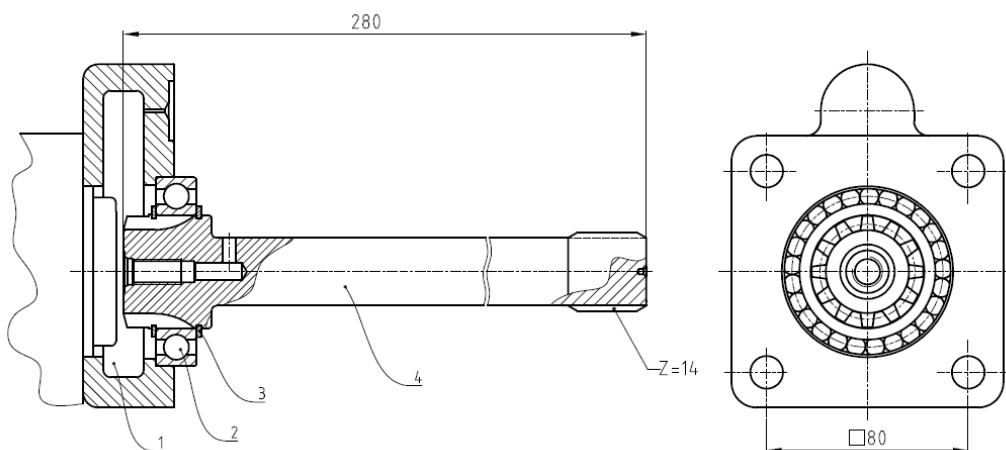


ADAPTER KIT TO POWER TAKE OFFS ZF

16-S-251 IT; 16-S-2720 TO IT

Ref.VK4008S

Main Dimensions



- 1 – Spacer
- 2 – Bearing
- 3 – Circlip
- 4 – Adapter shaft VK4008

(Dimensions in mm)

Main Data

Continuous Torque (Nm)	600
Intermittent Torque (Nm)	840
Power (at 1000 r.p.m)	85 H.P. / 64 Kw
Weight (Kg)	2.3
Engine-Kit adapter ratio	

16-S-251 IT High:- 1 : 0.92 Normal:- 1 : 0.77

16-S-2720 TO IT / 13.80-0.84 High:- 1 : 1.09 Normal:- 1 : 0.91

KIT Studs:

KIT VK4008S for PTO (ratio 1:1)

- 4 stud M12x155
- 4 nut M12
- 4 washer
- 1 jute ZF
- 1 jute IT

CTI VK4008S 1004- 2

ABER is constantly engaged in improving its products and, therefore, reserves itself the right to modify without any further notice the characteristics shown. The gear boxes are in constant change; therefore, ABER is not to be held responsible for any damage resulting from wrong application or application of outdated material.



ABER - Embraiaçes e Comandos Hidráulicos - A. B. LDA

Rua Francisco de Almeida, Nº 30 – Vila Nova da Telha – 4470 MAIA - Portugal

Telephone: +351.22.9438070 Fax: +351.22.9420823 e-mail: aber@aber.pt <http://www.aber.pt>

1/1

ТОВ "Промислова Гідравліка": <https://promhydraulic.com.ua/ua/>

Телефонуйте: +380 (95) 670-15-32, +380 (98) 533-91-67, +380 (96) 244-48-42

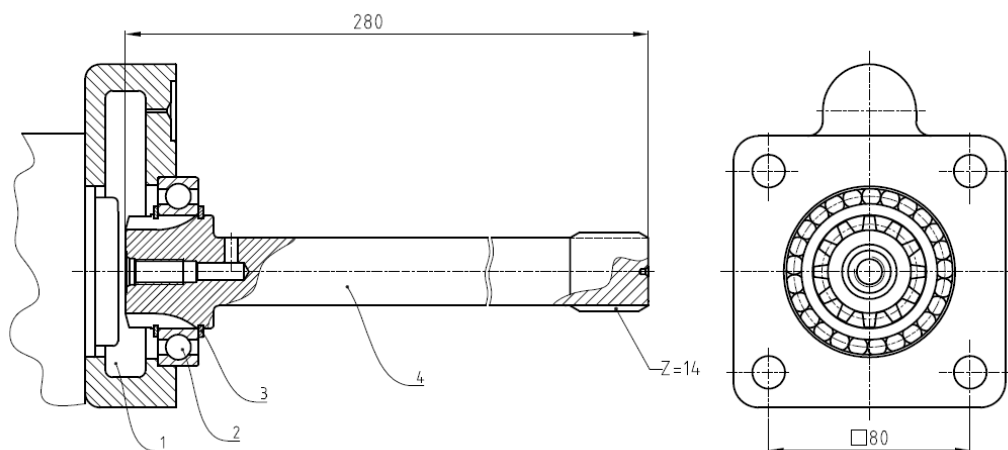


ADAPTER KIT TO POWER TAKE OFFS ZF

16-S-251 IT; 16-S-2720 TO IT

Ref.VK4008AM

Main Dimensions



- 1 – Spacer
- 2 – Bearing
- 3 – Circlip
- 4 – Adapter shaft VK4008

(Dimensions in mm)

Main Data

Continuous Torque (Nm)	600
Intermittent Torque (Nm)	840
Power (at 1000 r.p.m)	85 H.P. / 64 Kw
Weight (Kg)	2.3
Engine-Kit adapter ratio	

16-S-251 IT High:- 1 : 0.92 Normal:- 1 : 0.77

16-S-2720 TO IT / 13.80-0.84 High:- 1 : 1.09 Normal:- 1 : 0.91

KIT Studs:

KIT VK4008AM for PTO (ratio 1:1.32)

- 2 stud M12x135
- 2 stud M12x170
- 4 nut M12
- 4 washer
- 1 jute ZF
- 1 jute IT

CTI VK4008AM 1004-2

ABER is constantly engaged in improving its products and, therefore, reserves itself the right to modify without any further notice the characteristics shown. The gear boxes are in constant change; therefore, ABER is not to be held responsible for any damage resulting from wrong application or application of outdated material.



ABER - Embraiaçes e Comandos Hidráulicos - A. B. LDA

Rua Francisco de Almeida, Nº 30 – Vila Nova da Telha – 4470 MAIA - Portugal

Telephone: +351.22.9438070 Fax: +351.22.9420823 e-mail: aber@aber.pt <http://www.aber.pt>

1/1

ТОВ "Промислова Гідравліка": <https://promhydraulic.com.ua/ua/>

Телефонуйте: +380 (95) 670-15-32, +380 (98) 533-91-67, +380 (96) 244-48-42

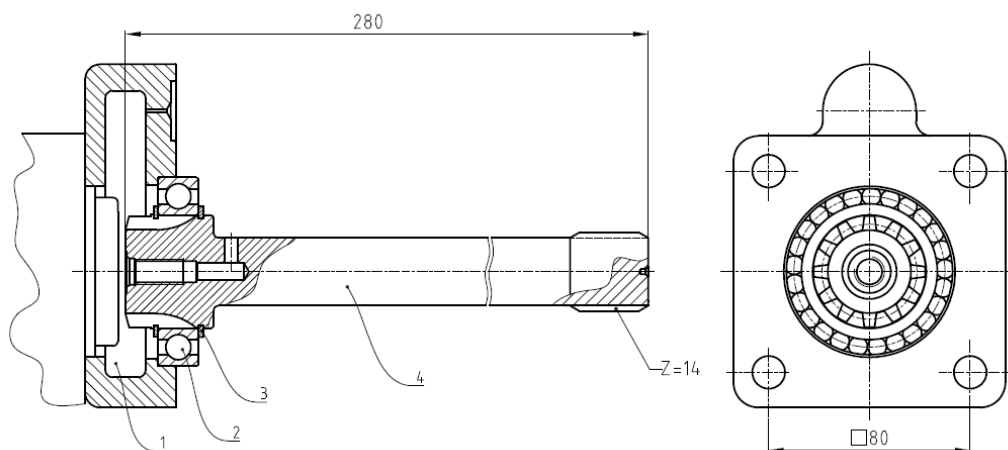


ADAPTER KIT TO POWER TAKE OFFS ZF

16-S-251 IT; 16-S-2720 TO IT

Ref.VK4008AM

Main Dimensions



- 1 – Spacer
- 2 – Bearing
- 3 – Circlip
- 4 – Adapter shaft VK4008

(Dimensions in mm)

Main Data

Continuous Torque (Nm)	600
Intermittent Torque (Nm)	840
Power (at 1000 r.p.m)	85 H.P. / 64 Kw
Weight (Kg)	2.3
Engine-Kit adapter ratio	

16-S-251 IT High:- 1 : 0.92 Normal:- 1 : 0.77

16-S-2720 TO IT / 13.80-0.84 High:- 1 : 1.09 Normal:- 1 : 0.91

KIT Studs:

KIT VK4008AM for PTO (ratio 1:1.32)

- 2 stud M12x135
- 2 stud M12x170
- 4 nut M12
- 4 washer
- 1 jute ZF
- 1 jute IT

CTI VK4008AM 1004-2

ABER is constantly engaged in improving its products and, therefore, reserves itself the right to modify without any further notice the characteristics shown. The gear boxes are in constant change; therefore, ABER is not to be held responsible for any damage resulting from wrong application or application of outdated material.



ABER - Embraiaçes e Comandos Hidráulicos - A. B. LDA

Rua Francisco de Almeida, Nº 30 – Vila Nova da Telha – 4470 MAIA - Portugal

Telephone: +351.22.9438070 Fax: +351.22.9420823 e-mail: aber@aber.pt <http://www.aber.pt>

1/1

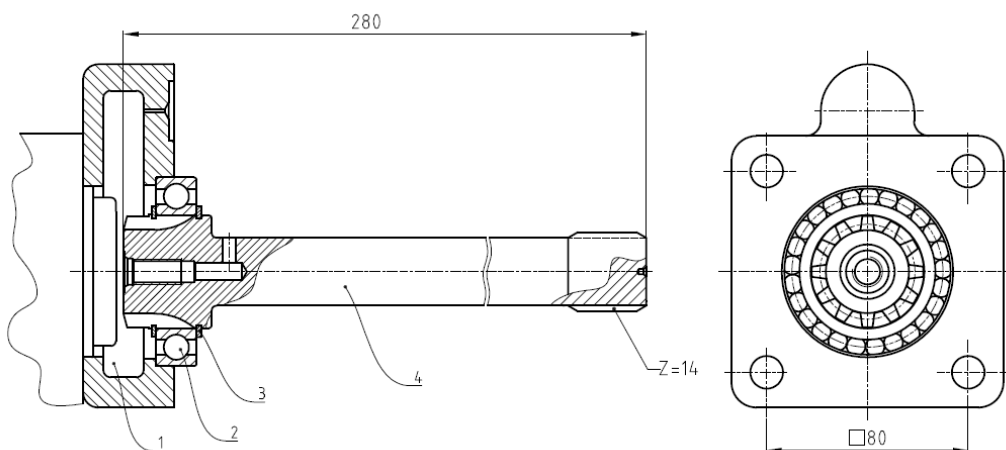


ADAPTER KIT TO POWER TAKE OFFS ZF

16-S-251 IT; 16-S-2720 TO IT

Ref.VK4008S

Main Dimensions



- 1 – Spacer
- 2 – Bearing
- 3 – Circlip
- 4 – Adapter shaft VK4008

(Dimensions in mm)

Main Data

Continuous Torque (Nm)	600
Intermittent Torque (Nm)	840
Power (at 1000 r.p.m)	85 H.P. / 64 Kw
Weight (Kg)	2.3
Engine-Kit adapter ratio	

16-S-251 IT High:- 1 : 0.92 Normal:- 1 : 0.77

16-S-2720 TO IT / 13.80-0.84 High:- 1 : 1.09 Normal:- 1 : 0.91

KIT Studs:

KIT VK4008S for PTO (ratio 1:1)

- 4 stud M12x155
- 4 nut M12
- 4 washer
- 1 jute ZF
- 1 jute IT

CTI VK4008S 1004- 2

ABER is constantly engaged in improving its products and, therefore, reserves itself the right to modify without any further notice the characteristics shown. The gear boxes are in constant change; therefore, ABER is not to be held responsible for any damage resulting from wrong application or application of outdated material.



ABER - Embraiaçes e Comandos Hidráulicos - A. B. LDA

Rua Francisco de Almeida, Nº 30 – Vila Nova da Telha – 4470 MAIA - Portugal

Telephone: +351.22.9438070 Fax: +351.22.9420823 e-mail: aber@aber.pt <http://www.aber.pt>

1/1

ТОВ "Промислова Гідравліка": <https://promhydraulic.com.ua/ua/>

Телефонуйте: +380 (95) 670-15-32, +380 (98) 533-91-67, +380 (96) 244-48-42



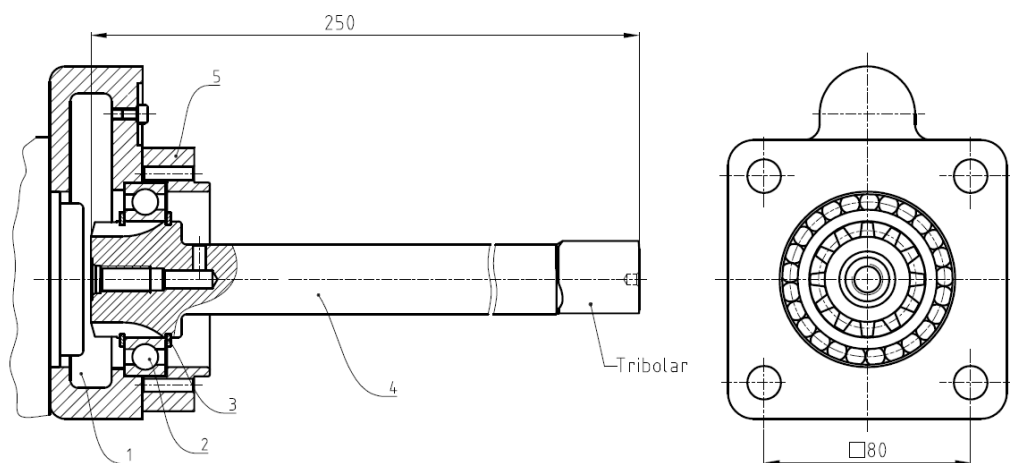
ADAPTER KIT TO POWER TAKE OFFS

ZF

16-S-150 IT

Ref.VK4009AM

Main Dimensions



- 1 – Spacer
- 2 – Bearing
- 3 – Circlip
- 4 – Adapter shaft VK4009
- 5 – Spacer flange

(Dimensions in mm)

Main Data

Continuous Torque (Nm)	300
Intermittent Torque (Nm)	420
Power (at 1000 r.p.m)	42 H.P. / 32 Kw
Weight (Kg)	2.5
Engine-Kit adapter ratio	

16-S-150/ 16.47	High: .- 1 : 0.920	Normal: .- 1 : 0.770
/ 13.80	High: .- 1 : 0.920	Normal: .- 1 : 0.770

KIT Studs:

KIT VK4008AM for PTO (ratio 1:1.32)

- 2 stud M12x135
- 2 stud M12x170
- 4 nut M12
- 4 washer
- 1 jute ZF
- 1 jute IT

CTI VK4009AM 0811-1

ABER is constantly engaged in improving its products and, therefore, reserves itself the right to modify without any further notice the characteristics shown. The gear boxes are in constant change; therefore, ABER is not to be held responsible for any damage resulting from wrong application or application of outdated material.



ABER - Embragens e Comandos Hidráulicos - A. B. LDA

Rua Francisco de Almeida, Nº 30 – Vila Nova da Telha – 4470 MAIA - Portugal

Telephone: +351.22.9438070 Fax: +351.22.9420823 e-mail: aber@aber.pt <http://www.aber.pt>

1/1

ТОВ "Промислова Гідравліка": <https://promhydraulic.com.ua/ua/>

Телефонуйте: +380 (95) 670-15-32, +380 (98) 533-91-67, +380 (96) 244-48-42



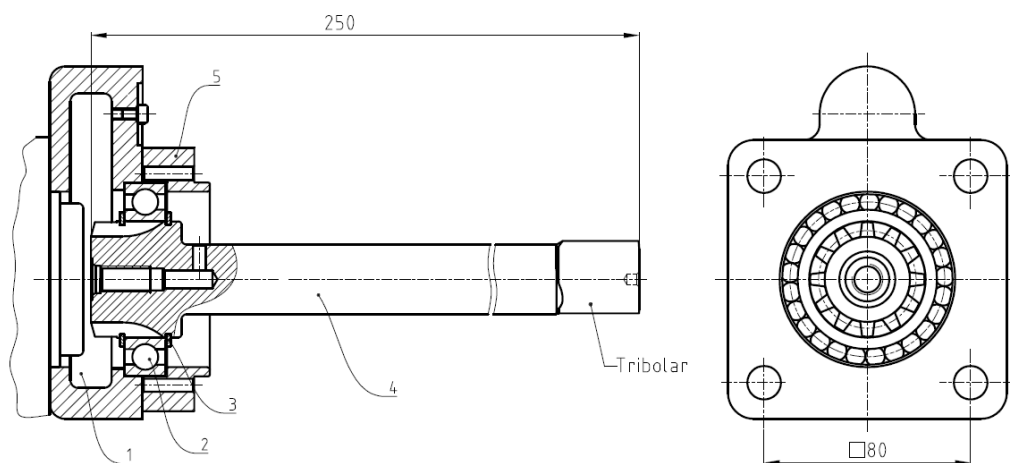
ADAPTER KIT TO POWER TAKE OFFS

ZF

16-S-150 IT

Ref.VK4009S

Main Dimensions



- 1 – Spacer
- 2 – Bearing
- 3 – Circlip
- 4 – Adapter shaft VK4009
- 5 – Spacer flange

(Dimensions in mm)

Main Data

Continuous Torque (Nm)	300
Intermittent Torque (Nm)	420
Power (at 1000 r.p.m)	42 H.P. / 32 Kw
Weight (Kg)	2.5
Engine-Kit adapter ratio	
16-S-150/ 16.47	High: .- 1 : 0.920 Normal: .- 1 : 0.770
/ 13.80	High: .- 1 : 0.920 Normal: .- 1 : 0.770

KIT Studs:

KIT VK4009S for PTO (ratio 1:1)

- 4 stud M12x170
- 4 nut M12
- 4 washer
- 2 jute ZF
- 1 jute IT

CTI VK4009S 0811-1

ABER is constantly engaged in improving its products and, therefore, reserves itself the right to modify without any further notice the characteristics shown. The gear boxes are in constant change; therefore, ABER is not to be held responsible for any damage resulting from wrong application or application of outdated material.



ABER - Embraiaçes e Comandos Hidráulicos - A. B. LDA

Rua Francisco de Almeida, Nº 30 – Vila Nova da Telha – 4470 MAIA - Portugal

Telephone: +351.22.9438070 Fax: +351.22.9420823 e-mail: aber@aber.pt <http://www.aber.pt>

1/1

ТОВ "Промислова Гідравліка": <https://promhydraulic.com.ua/ua/>

Телефонуйте: +380 (95) 670-15-32, +380 (98) 533-91-67, +380 (96) 244-48-42

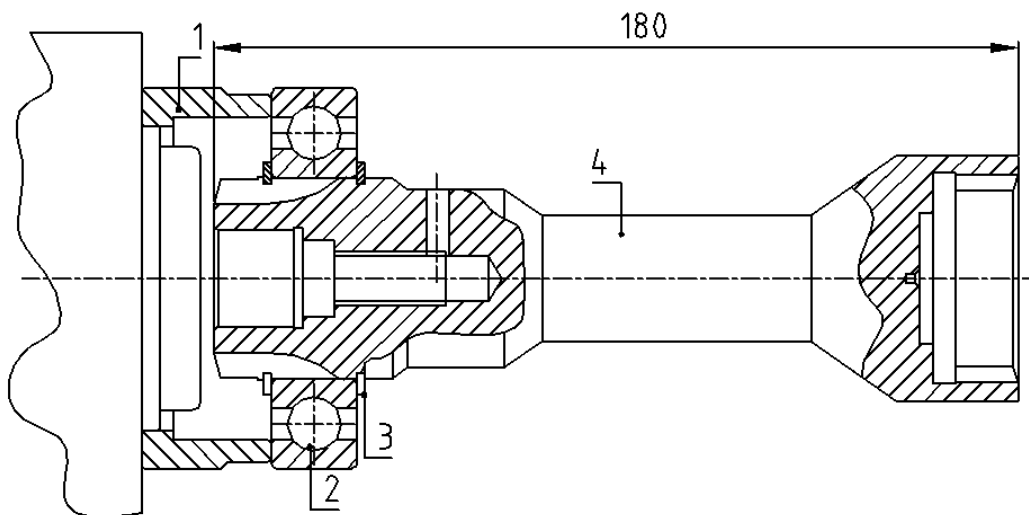


ADAPTER KIT TO POWER TAKE OFFS ZF

5-90 GP ; 5-92 GP ; 4-120 GP

Ref. VK4015S
VK4015AM

Main Dimensions



- 1 – Spacer
- 2 – Bearing
- 3 – Circlip
- 4 – Adapter shaft VK4015

Main Data

Continuous Torque (Nm)	300
Intermittent Torque (Nm)	420
Power (at 1000 r.p.m)	42 C.V. / 32 Kw
Weight (Kg)	1.7
Engine-Kit adapter ratio	
5-90 GP / 13	1:0.890
5-90 GP / 13.01	1:0.890
4-120 GP / 10.91	1:0.800
/ 8.05	1:0.970
/ 9.16	1:0.850

Note 1:

For getting the correct ratio is necessary to multiply the above mentioned ratio by the internal ratio in all S6-90 releases.

Example:

Gearbox 5-90 GP / 13.01 Adapter Kit + ZF S6-90 (Ref. TF4002AMP) Internal Ratio 1:1.32

Final ratio: 1 : 1.174 (0.890 x 1.32 = 1.174)

Note 2:

Adapter Kit is supplied without studs. Please use those that are provided with the PTO.

CTI VK4015S / VK4015AM 0811-1

ABER is constantly engaged in improving its products and, therefore, reserves itself the right to modify without any further notice the characteristics shown. The gear boxes are in constant change; therefore, ABER is not to be held responsible for any damage resulting from wrong application or application of outdated material.



ABER - Embraiaçgens e Comandos Hidráulicos - A. B. LDA

Rua Francisco de Almeida, Nº 30 – Vila Nova da Telha – 4470 MAIA - Portugal

Telephone: +351.22.9438070 Fax: +351.22.9420823 e-mail: aber@aber.pt <http://www.aber.pt>

1/1

ТОВ "Промислова Гідравліка": <https://promhydraulic.com.ua/ua/>

Телефонуйте: +380 (95) 670-15-32, +380 (98) 533-91-67, +380 (96) 244-48-42

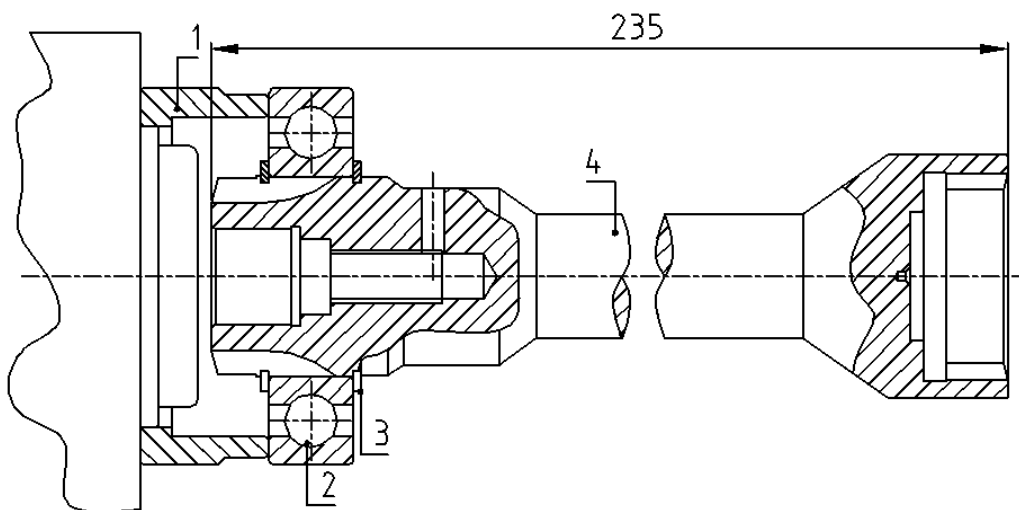


**ADAPTER KIT TO POWER TAKE OFFS
ZF**

5-110 GPA

Ref. VK4016S
VK4016AM

Main Dimensions



- 1 – Spacer
- 2 – Bearing
- 3 – Circlip
- 4 – Adapter shaft VK4016

Main Data

Continuous Torque (Nm)	300
Intermittent Torque (Nm)	420
Power (at 1000 r.p.m)	42 C.V. / 32 Kw
Weight (Kg)	2
Engine-Kit adapter ratio	1:0.830

Note :

Adapter Kit is supplied without studs. Please use those that are provided with the PTO.

CTI VK4016S / VK4016AM 0811 - 1

ABER is constantly engaged in improving its products and, therefore, reserves itself the right to modify without any further notice the characteristics shown. The gear boxes are in constant change; therefore, ABER is not to be held responsible for any damage resulting from wrong application or application of outdated material.



ABER - Embraagens e Comandos Hidráulicos - A. B. LDA
 Rua Francisco de Almeida, Nº 30 – Vila Nova da Telha – 4470 MAIA - Portugal
 Telephone: +351.22.9438070 Fax: +351.22.9420823 e-mail: aber@aber.pt <http://www.aber.pt>

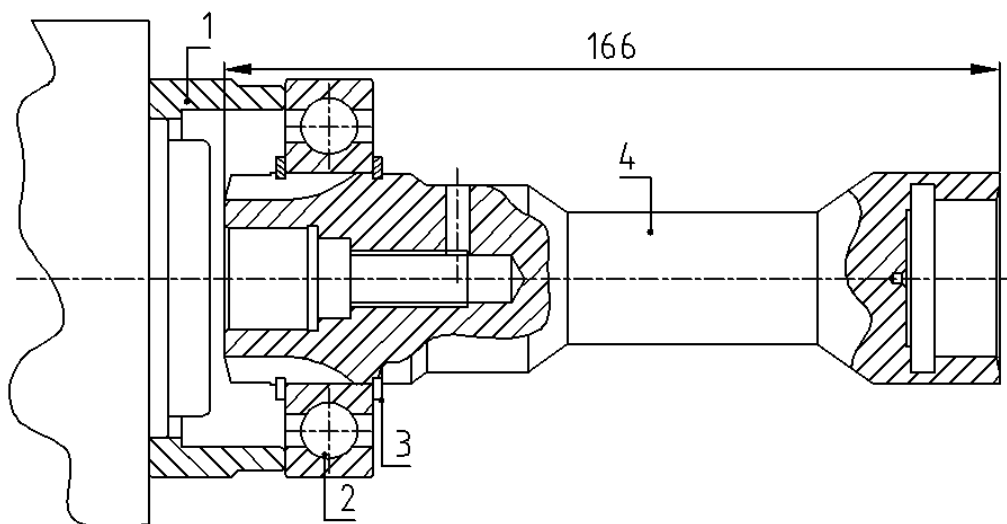


ADAPTER KIT TO POWER TAKE OFFS ZF

5-110 GP ; 5-111 GP ; 4-150 GP

Ref. VK4017S
VK4017AM

Main Dimensions



- 1 – Spacer
- 2 – Bearing
- 3 – Circlip
- 4 – Adapter shaft VK4017

Main Data

Continuous Torque (Nm)	300
Intermittent Torque (Nm)	420
Power (at 1000 r.p.m)	42 C.V. / 32 Kw
Weight (Kg)	1.7
Engine-Kit adapter ratio	
5-110 GP / 11.2	1:0.975
/ 13.1	1:0.830
/ 9.72	1:0.830
5-111 GP / 13.04	1:0.820
4-150 GP / 9.19	1:0.820

Note 1:

For getting the correct ratio is necessary to multiply the above mentioned ratio by the internal ratio in all S6-90 releases.

Example:

Gearbox 5-110 GP / 11.2 Adapter Kit + ZF S6-90 (Ref. TF4002MP) Internal Ratio 1:1.32

Final ratio: 1 : 1.287 (0.975 x 1.32 = 1.287)

Note 2:

Adapter Kit is supplied without studs. Please use those that are provided with the PTO.

CTI VK4017S / VK4017AM 0811-1

ABER is constantly engaged in improving its products and, therefore, reserves itself the right to modify without any further notice the characteristics shown. The gear boxes are in constant change; therefore, ABER is not to be held responsible for any damage resulting from wrong application or application of outdated material.



ABER - Embraiaçgens e Comandos Hidráulicos - A. B. LDA

Rua Francisco de Almeida, Nº 30 – Vila Nova da Telha – 4470 MAIA - Portugal

Telephone: +351.22.9438070 Fax: +351.22.9420823 e-mail: aber@aber.pt <http://www.aber.pt>

1/1

ТОВ "Промислова Гідравліка": <https://promhydraulic.com.ua/ua/>

Телефонуйте: +380 (95) 670-15-32, +380 (98) 533-91-67, +380 (96) 244-48-42

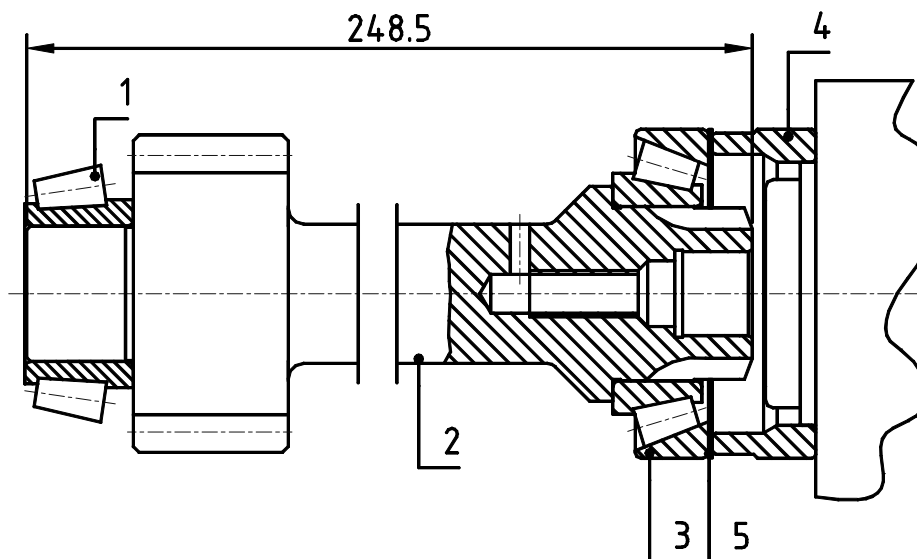


ADAPTER KIT TO POWER TAKE OFFS ZF

9-S-75/13.16 ; 9-S-75/9.56

Ref. VK4018S
VK4018AM

Main Dimensions



- 1 – Bearing
- 2 – Adapter Shaft VK4018
- 3 – Bearing
- 4 – Washer
- 5 – Adjustment Washer

Main Data

Continuous Torque (Nm)	300
Intermittent Torque (Nm)	420
Power (at 1000 r.p.m)	42 H.P. / 32 Kw
Weight (Kg)	4,3
Engine to PTO ratio	
9-S-75 / 13.16 .- 1 : 0.610	
9-S-75 / 9.56 .- 1 : 0.850	

Note 1:

For getting the correct ratio is necessary to multiply the above mentioned ratio by the internal ratio in all S6-90 releases.

Example:

Gearbox 9-S-75 / 13.16 Adapter Kit + ZF S6-90 (Ref. TF4002AMP) Internal Ratio 1:1.32

Final ratio: .- 1 : 0.805 (0.610 x 1.32 = 0.805)

Note 2:

Adapter Kit is supplied without studs. Please use those that are provided with the PTO.

CTI VK4018S / VK4018AM 0811 - 1

ABER is constantly engaged in improving its products and, therefore, reserves itself the right to modify without any further notice the characteristics shown. The gear boxes are in constant change; therefore, ABER is not to be held responsible for any damage resulting from wrong application or application of outdated material.



ABER - Embraiaçens e Comandos Hidráulicos - A. B. LDA

Rua Francisco de Almeida, Nº 30 – Vila Nova da Telha – 4470 MAIA - Portugal

Telephone: +351.22.9438070 Fax: +351.22.9420823 e-mail: aber@aber.pt <http://www.aber.pt>

1/1

ТОВ "Промислова Гідравліка": <https://promhydraulic.com.ua/ua/>

Телефонуйте: +380 (95) 670-15-32, +380 (98) 533-91-67, +380 (96) 244-48-42

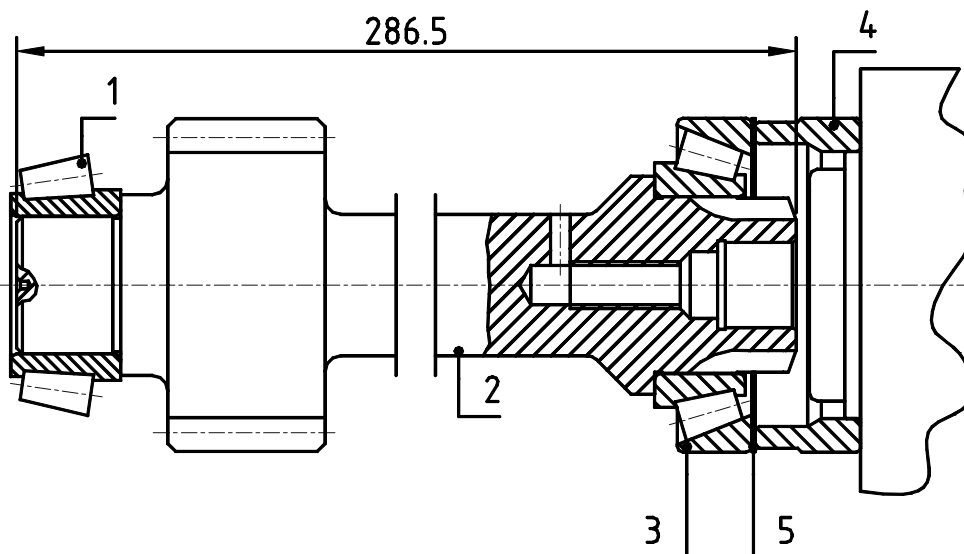


ADAPTER KIT TO POWER TAKE OFFS ZF

9-S-109/10.25 ; 9-S-109/10.24 ; 16-S-109/11.86 ; 16-S-109/13.53

Ref. VK4019S
VK4019AM

Main Dimensions



- 1 – Bearing
- 2 – Adapter Shaft VK4019
- 3 – Bearing
- 4 – Adapter Flange
- 5 – Adjustment Washer

Main Data

Continuous Torque (Nm)	300
Intermittent Torque (Nm)	420
Power (at 1000 r.p.m)	42 H.P. / 32 Kw
Weight (Kg)	4.7
Engine to PTO ratio	
9-S-109 / 10.25	.- 1 : 0.770
16-S-109 / 11.86	High .- 1 : 0.880
	Normal .- 1 : 0.750
16-S-109 / 13.53	High .- 1 : 0.930
	Normal .- 1 : 0.790

Note 1:

For getting the correct ratio is necessary to multiply the above mentioned ratio by the internal ratio in all S6-90 releases.

Example:

Gearbox 9-S-109 / 10.25 Adapter Kit + ZF S6-90 (Ref. TF4002AMP) Internal Ratio 1:1.32

Final ratio: .- 1 : 1.016 (0.770 x 1.32 = 1.016)

Note 2:

Adapter Kit is supplied without studs. Please use those that are provided with the PTO.

ABER is constantly engaged in improving its products and, therefore, reserves itself the right to modify without any further notice the characteristics shown. The gear boxes are in constant change; therefore, ABER is not to be held responsible for any damage resulting from wrong application or application of outdated material.



ABER - Embraiaçgens e Comandos Hidráulicos - A. B. LDA

Rua Francisco de Almeida, Nº 30 – Vila Nova da Telha – 4470 MAIA - Portugal

Telephone: +351.22.9438070 Fax: +351.22.9420823 e-mail: aber@aber.pt <http://www.aber.pt>

1/1

CTI VK4019S / VK4019AM 0811-1

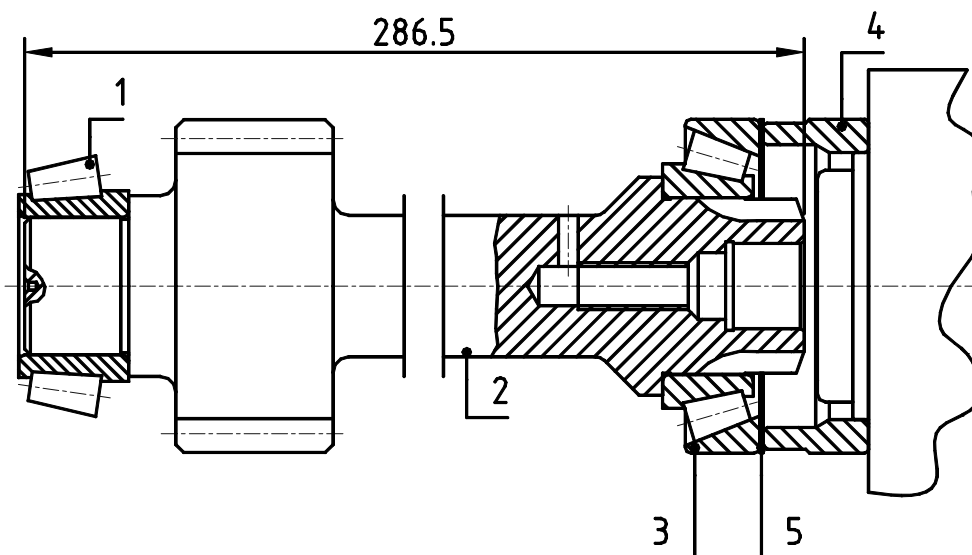


ADAPTER KIT TO POWER TAKE OFFS ZF

9-S-109/12.92 ; 16-S-109/13.04 ; 16-S-109/13.30 ;
16-S-109/13.42 ; 8-S-109

Ref. VK4020S
VK4020AM

Main Dimensions



- 1 – Bearing
- 2 – Adapter Shaft VK4020
- 3 – Bearing
- 4 – Adapter Flange
- 5 – Adjustment Washer

Main Data

Continuous Torque (Nm)	300
Intermittent Torque (Nm)	420
Power (at 1000 r.p.m)	42 H.P. / 32 Kw
Weight (Kg)	4.7
Engine to PTO ratio	
9-S-109 / 12.92	.- 1 : 0.720
16-S-109 / 13.30	High .- 1 : 0.930
	Normal .- 1 : 0.790
16-S-109 / 13.42	High .- 1 : 0.930
	Normal .- 1 : 0.790

Note 1:

For getting the correct ratio is necessary to multiply the above mentioned ratio by the internal ratio in all S6-90 releases.

Example:

Gearbox 9-S-109 / 12.92 Adapter Kit + ZF S6-90 (Ref. TF4002AMP) Internal Ratio 1:1.32

Final ratio: .- 1 : 0.950 (0.720 x 1.32 = 0.950)

Note 2:

Adapter Kit is supplied without studs. Please use those that are provided with the PTO.

ABER is constantly engaged in improving its products and, therefore, reserves itself the right to modify without any further notice the characteristics shown. The gear boxes are in constant change; therefore, ABER is not to be held responsible for any damage resulting from wrong application or application of outdated material.



ABER - Embraiaçgens e Comandos Hidráulicos - A. B. LDA

Rua Francisco de Almeida, Nº 30 – Vila Nova da Telha – 4470 MAIA - Portugal

Telephone: +351.22.9438070 Fax: +351.22.9420823 e-mail: aber@aber.pt <http://www.aber.pt>

1/1

CTI VK4020S / VK4020AM 0811-1

ТОВ "Промислова Гідравліка": <https://promhydraulic.com.ua/ua/>

Телефонуйте: +380 (95) 670-15-32, +380 (98) 533-91-67, +380 (96) 244-48-42

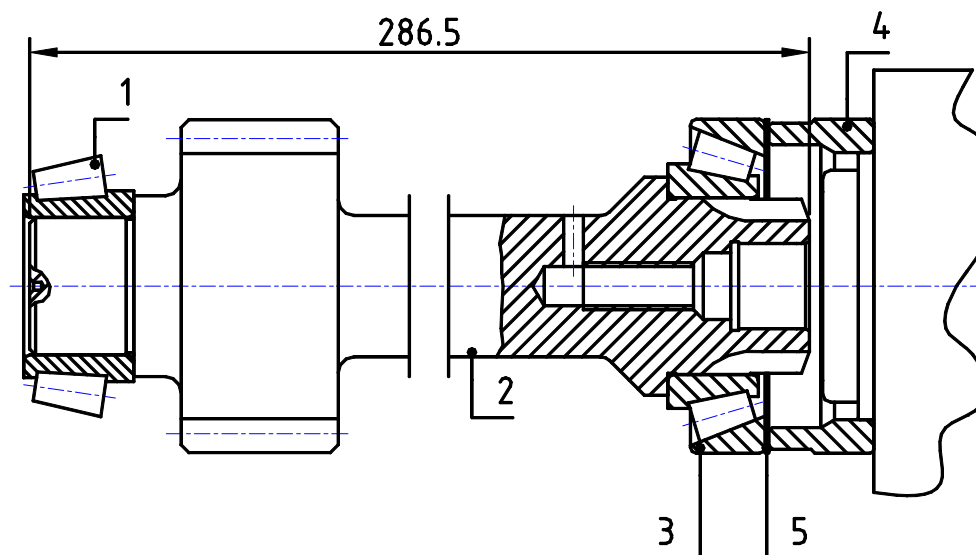


ADAPTER KIT TO POWER TAKE OFFS ZF

9-S-109/12,91 ; 16-S-109/13,31 ; 16-S-109/13,41 ; 9S-1110 TO/9,48 ;
9S 1310 TO/9,48

Ref. VK4021S
VK4021AM

Main Dimensions



- 1 – Bearing
- 2 – Adapter Shaft VK4021
- 3 – Bearing
- 4 – Adapter Flange
- 5 – Adjustment Washer

Main Data

Continuous Torque (Nm)	300
Intermittent Torque (Nm)	420
Power (at 1000 r.p.m)	42 H.P. / 32 Kw
Weight (Kg)	4.7
Engine to PTO ratio	

9-S-109 / 12.91 - 1 : 0.72

9-S-1110 TO / 9.48 - 0.75 (Volvo ZTO 1109) - 1 : 0.97

9-S-1310 TO / 9.48 - 1 : 0.97

16-S-109 / 13.31 High - 1 : 0.90
Normal - 1 : 0.75

Note 1:

For getting the correct ratio is necessary to multiply the above mentioned ratio by the internal ratio in all S6-90 releases.

Example:

Gearbox 9-S-109 / 12.91 Adapter Kit + ZF S6-90 (Ref. TF4002MP) Internal Ratio 1:1.32

Final ratio: - 1 : 0.950 (0.720 x 1.32 = 0.950)

Note 2:

Adapter Kit is supplied without studs. Please use those that are provided with the PTO.

ABER is constantly engaged in improving its products and, therefore, reserves itself the right to modify without any further notice the characteristics shown. The gear boxes are in constant change; therefore, ABER is not to be held responsible for any damage resulting from wrong application or application of outdated material.



ABER - Embraiagens e Comandos Hidráulicos - A. B. LDA

Rua Francisco de Almeida, Nº 30 – Vila Nova da Telha – 4470 MAIA - Portugal

Telephone: +351.22.9438070 Fax: +351.22.9420823 e-mail: aber@aber.pt <http://www.aber.pt>

1/1

CTI VK4021S / VK4021AM 1004-2

ТОВ "Промислова Гідравліка": <https://promhydraulic.com.ua/ua/>

Телефонуйте: +380 (95) 670-15-32, +380 (98) 533-91-67, +380 (96) 244-48-42

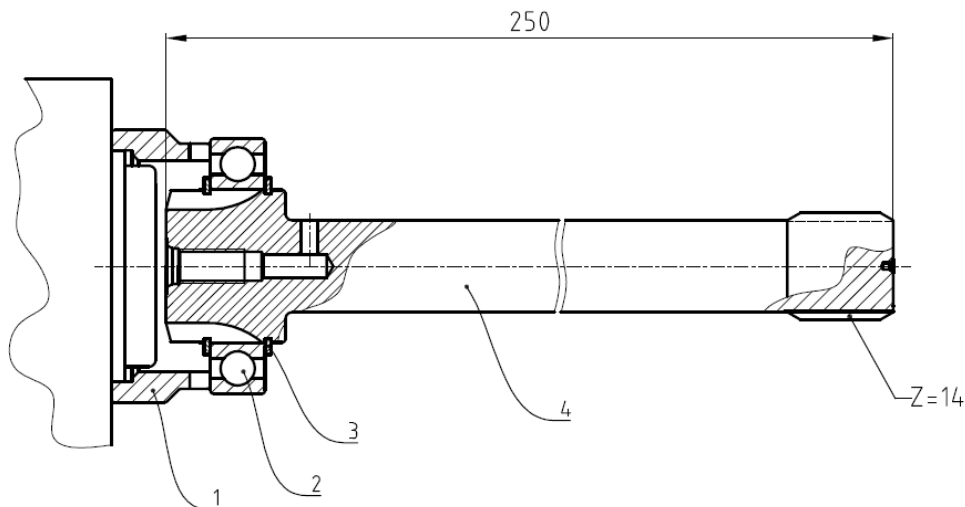


ADAPTER KIT TO POWER TAKE OFFS ZF

12-AS-1800; 12-AS-2301; 16-AS-2200; 16-AS-2601; 12AS-1630TD;
12AS-1930TD; 12AS-2130TD; 12AS-2131TD; 12AS-2140TD; 12AS-2340TD;
12AS-2430TD; 12AS-2540 TD; 12AS-1930 TO; 12AS-2130 TO; 12AS-2330 TO;
12AS-2530 TO; 12AS-2540 TO; 12AS-2740 TO; 12AS-2940 TO; 16AS-2230 TD;
16AS-2601 DD; 16AS-2601 OD; 16AS-2630 TO

Ref. VK4022S
VK4022AM

Main Dimensions



- 1 – Spacer
- 2 – Bearing
- 3 – Circlip
- 4 – Adapter shaft VK4022

(Dimensions in mm)

Main Data

Continuous Torque (Nm)	600
Intermittent Torque (Nm)	840
Power (at 1000 r.p.m)	85 H.P. / 64 Kw
Weight (Kg)	2
Engine-Kit adapter ratio	

Note : Adapter Kit is supplied without studs. Please use those that are provided with the PTO.

CTI VK4022S / VK4022AM 0811-1

ABER is constantly engaged in improving its products and, therefore, reserves itself the right to modify without any further notice the characteristics shown. The gear boxes are in constant change; therefore, ABER is not to be held responsible for any damage resulting from wrong application or application of outdated material.



ABER - Embragens e Comandos Hidráulicos - A. B. LDA

Rua Francisco de Almeida, Nº 30 – Vila Nova da Telha – 4470 MAIA - Portugal

Telephone: +351.22.9438070 Fax: +351.22.9420823 e-mail: aber@aber.pt <http://www.aber.pt>

1/1

ТОВ "Промислова Гідравліка": <https://promhydraulic.com.ua/ua/>

Телефонуйте: +380 (95) 670-15-32, +380 (98) 533-91-67, +380 (96) 244-48-42

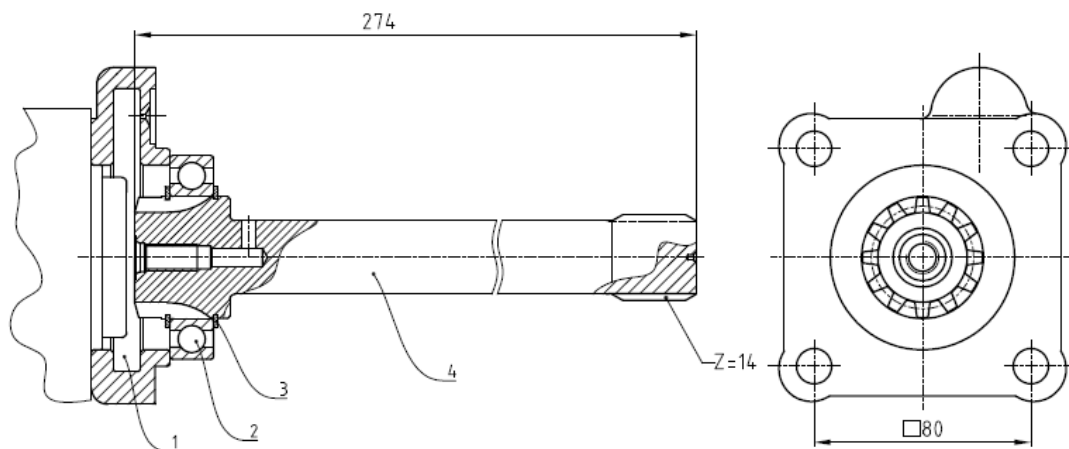


ADAPTER KIT TO POWER TAKE OFFS ZF

Ref.VK4023S

12-AS-1800 IT; 12-AS-1631 TD IT; 12-AS-1931 TD/TO IT; 12-AS-2131 TD/TO IT;
12-AS-2141 TD IT; 12-AS-2301 TD/TO IT; 12-AS-2341 TD IT; 12-AS-2431 TD IT;
12-AS-2331 TO IT; 12-AS-2531 TO IT; 12-AS-2541 TO IT; 12-AS-2741 TO IT;
12-AS-2941 TO IT;
16-AS-2200 IT; 16-AS-2231 TD IT; 16-AS-2601 TD/TO IT; 16-AS-2631 TO IT

Main Dimensions



- 1 – Spacer
- 2 – Bearing
- 3 – Circlip
- 4 – Adapter shaft VK4023

(Dimensions in mm)

Main Data

Continuous Torque (Nm)	600
Intermittent Torque (Nm)	840
Power (at 1000 r.p.m)	85 H.P. / 64 Kw
Weight (Kg)	2.9
Engine-Kit adapter ratio	
12-AS-1631 TD IT; 12-AS-1931 TD IT; 12-AS-2131 TD IT; 12-AS-2141 TD IT; 12-AS-2301 TD IT; 12-AS-2341 TD IT; 12-AS-2431 TD IT	/15.68-1.0 1:0.82
12-AS-1800 IT	/14.89-1.0 1:0.76
12-AS-1931 TO IT; 12-AS-2131 TO IT; 12-AS-2301 TO IT; 12-AS-2331 TO IT; 12-AS-2531 TO IT;	/12.33-0.78 1:1.35
12-AS-2541 TO IT; 12-AS-2741 TO IT; 12-AS-2941 TO IT;	/12.29-0.78 1:1.35
16-AS-2200 IT	/15.89-1.0 1:0.71
16-AS-2231 TD IT; 16-AS-2601 TD IT	/17.03-1.0 1:0.76
16-AS-2601 TO IT; 16-AS-2631 TO IT	/14.12-0.83 1:1.11

KIT Studs:

KIT VK4023S for PTO (ratio 1:1)

- 4 stud M12x135
- 4 nut M12
- 4 washer
- 1 jute ZF
- 1 jute AS

ABER is constantly engaged in improving its products and, therefore, reserves itself the right to modify without any further notice the characteristics shown. The gear boxes are in constant change; therefore, ABER is not to be held responsible for any damage resulting from wrong application or application of outdated material.



ABER - Embragens e Comandos Hidráulicos - A. B. LDA

Rua Francisco de Almeida, Nº 30 – Vila Nova da Telha – 4470 MAIA - Portugal

Telephone: +351.22.9438070 Fax: +351.22.9420823 e-mail: aber@aber.pt <http://www.aber.pt>

1/1

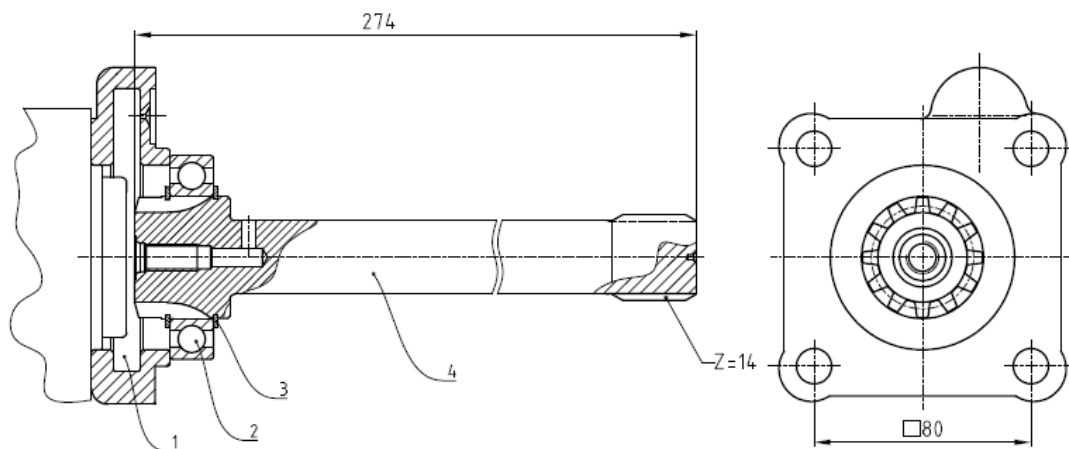


ADAPTER KIT TO POWER TAKE OFFS ZF

12-AS-1800 IT; 12-AS-1631 TD IT; 12-AS-1931 TD/TO IT; 12-AS-2131 TD/TO IT;
12-AS-2141 TD IT; 12-AS-2301 TD/TO IT; 12-AS-2341 TD IT; 12-AS-2431 TD IT;
12-AS-2331 TO IT; 12-AS-2531 TO IT; 12-AS-2541 TO IT; 12-AS-2741 TO IT;
12-AS-2941 TO IT;
16-AS-2200 IT; 16-AS-2231 TD IT; 16-AS-2601 TD/TO IT; 16-AS-2631 TO IT

Ref.VK4023AM

Main Dimensions



- 1 – Spacer
- 2 – Bearing
- 3 – Circlip
- 4 – Adapter shaft VK4023

(Dimensions in mm)

Main Data

Continuous Torque (Nm)	600
Intermittent Torque (Nm)	840
Power (at 1000 r.p.m)	85 H.P. / 64 Kw
Weight (Kg)	2.9
Engine-Kit adapter ratio	
12-AS-1631 TD IT; 12-AS-1931 TD IT; 12-AS-2131 TD IT; 12-AS-2141 TD IT; 12-AS-2301 TD IT; 12-AS-2341 TD IT; 12-AS-2431 TD IT	/15.68-1.0 1:0.82
12-AS-1800 IT	/14.89-1.0 1:0.76
12-AS-1931 TO IT; 12-AS-2131 TO IT; 12-AS-2301 TO IT; 12-AS-2331 TO IT; 12-AS-2531 TO IT;	/12.33-0.78 1:1.35
12-AS-2541 TO IT; 12-AS-2741 TO IT; 12-AS-2941 TO IT;	/12.29-0.78 1:1.35
16-AS-2200 IT	/15.89-1.0 1:0.71
16-AS-2231 TD IT; 16-AS-2601 TD IT	/17.03-1.0 1:0.76
16-AS-2601 TO IT; 16-AS-2631 TO IT	/14.12-0.83 1:1.11

KIT Studs:

KIT VK4023AM for PTO (ratio 1:1.32)

- 2 stud M12x113
- 2 stud M12x150
- 4 nut M12
- 4 washer
- 1 jute ZF
- 1 jute AS

ABER is constantly engaged in improving its products and, therefore, reserves itself the right to modify without any further notice the characteristics shown. The gear boxes are in constant change; therefore, ABER is not to be held responsible for any damage resulting from wrong application or application of outdated material.



ABER - Embragens e Comandos Hidráulicos - A. B. LDA

Rua Francisco de Almeida, Nº 30 – Vila Nova da Telha – 4470 MAIA - Portugal

Telephone: +351.22.9438070 Fax: +351.22.9420823 e-mail: aber@aber.pt <http://www.aber.pt>

1/1

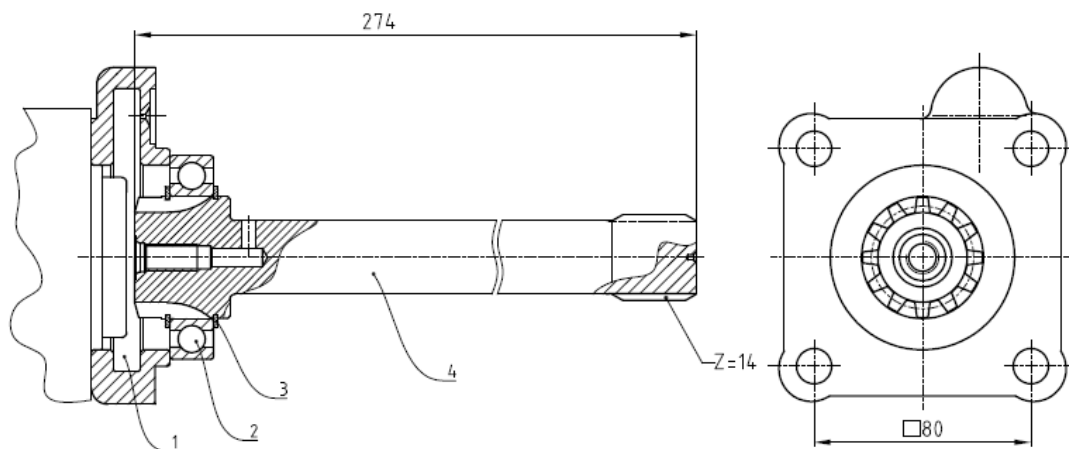


ADAPTER KIT TO POWER TAKE OFFS ZF

12-AS-1800 IT; 12-AS-1631 TD IT; 12-AS-1931 TD/TO IT; 12-AS-2131 TD/TO IT;
12-AS-2141 TD IT; 12-AS-2301 TD/TO IT; 12-AS-2341 TD IT; 12-AS-2431 TD IT;
12-AS-2331 TO IT; 12-AS-2531 TO IT; 12-AS-2541 TO IT; 12-AS-2741 TO IT;
12-AS-2941 TO IT;
16-AS-2200 IT; 16-AS-2231 TD IT; 16-AS-2601 TD/TO IT; 16-AS-2631 TO IT

Ref.VK4023AM

Main Dimensions



- 1 – Spacer
- 2 – Bearing
- 3 – Circlip
- 4 – Adapter shaft VK4023

(Dimensions in mm)

Main Data

Continuous Torque (Nm)	600
Intermittent Torque (Nm)	840
Power (at 1000 r.p.m)	85 H.P. / 64 Kw
Weight (Kg)	2.9
Engine-Kit adapter ratio	
12-AS-1631 TD IT; 12-AS-1931 TD IT; 12-AS-2131 TD IT; 12-AS-2141 TD IT; 12-AS-2301 TD IT; 12-AS-2341 TD IT; 12-AS-2431 TD IT	/15.68-1.0 1:0.82
12-AS-1800 IT	/14.89-1.0 1:0.76
12-AS-1931 TO IT; 12-AS-2131 TO IT; 12-AS-2301 TO IT; 12-AS-2331 TO IT; 12-AS-2531 TO IT;	/12.33-0.78 1:1.35
12-AS-2541 TO IT; 12-AS-2741 TO IT; 12-AS-2941 TO IT;	/12.29-0.78 1:1.35
16-AS-2200 IT	/15.89-1.0 1:0.71
16-AS-2231 TD IT; 16-AS-2601 TD IT	/17.03-1.0 1:0.76
16-AS-2601 TO IT; 16-AS-2631 TO IT	/14.12-0.83 1:1.11

KIT Studs:

KIT VK4023AM for PTO (ratio 1:1.32)

- 2 stud M12x113
- 2 stud M12x150
- 4 nut M12
- 4 washer
- 1 jute ZF
- 1 jute AS

ABER is constantly engaged in improving its products and, therefore, reserves itself the right to modify without any further notice the characteristics shown. The gear boxes are in constant change; therefore, ABER is not to be held responsible for any damage resulting from wrong application or application of outdated material.



ABER - Embragens e Comandos Hidráulicos - A. B. LDA

Rua Francisco de Almeida, Nº 30 – Vila Nova da Telha – 4470 MAIA - Portugal

Telephone: +351.22.9438070 Fax: +351.22.9420823 e-mail: aber@aber.pt <http://www.aber.pt>

1/1

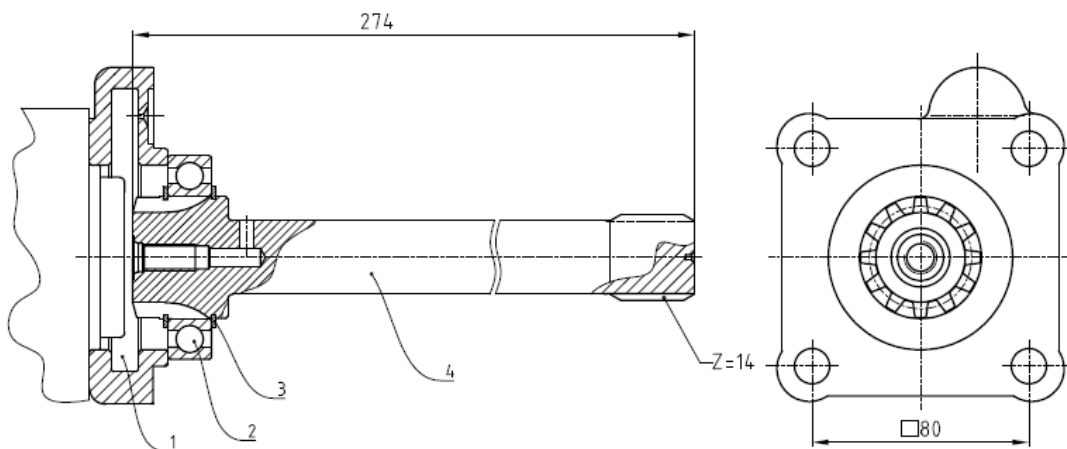


ADAPTER KIT TO POWER TAKE OFFS ZF

Ref.VK4023S

12-AS-1800 IT; 12-AS-1631 TD IT; 12-AS-1931 TD/TO IT; 12-AS-2131 TD/TO IT;
12-AS-2141 TD IT; 12-AS-2301 TD/TO IT; 12-AS-2341 TD IT; 12-AS-2431 TD IT;
12-AS-2331 TO IT; 12-AS-2531 TO IT; 12-AS-2541 TO IT; 12-AS-2741 TO IT;
12-AS-2941 TO IT;
16-AS-2200 IT; 16-AS-2231 TD IT; 16-AS-2601 TD/TO IT; 16-AS-2631 TO IT

Main Dimensions



- 1 – Spacer
- 2 – Bearing
- 3 – Circlip
- 4 – Adapter shaft VK4023

(Dimensions in mm)

Main Data

Continuous Torque (Nm)	600
Intermittent Torque (Nm)	840
Power (at 1000 r.p.m)	85 H.P. / 64 Kw
Weight (Kg)	2.9
Engine-Kit adapter ratio	
12-AS-1631 TD IT; 12-AS-1931 TD IT; 12-AS-2131 TD IT; 12-AS-2141 TD IT; 12-AS-2301 TD IT; 12-AS-2341 TD IT; 12-AS-2431 TD IT	/15.68-1.0 1:0.82
12-AS-1800 IT	/14.89-1.0 1:0.76
12-AS-1931 TO IT; 12-AS-2131 TO IT; 12-AS-2301 TO IT; 12-AS-2331 TO IT; 12-AS-2531 TO IT;	/12.33-0.78 1:1.35
12-AS-2541 TO IT; 12-AS-2741 TO IT; 12-AS-2941 TO IT;	/12.29-0.78 1:1.35
16-AS-2200 IT	/15.89-1.0 1:0.71
16-AS-2231 TD IT; 16-AS-2601 TD IT	/17.03-1.0 1:0.76
16-AS-2601 TO IT; 16-AS-2631 TO IT	/14.12-0.83 1:1.11

KIT Studs:

KIT VK4023S for PTO (ratio 1:1)

- 4 stud M12x135
- 4 nut M12
- 4 washer
- 1 jute ZF
- 1 jute AS

ABER is constantly engaged in improving its products and, therefore, reserves itself the right to modify without any further notice the characteristics shown. The gear boxes are in constant change; therefore, ABER is not to be held responsible for any damage resulting from wrong application or application of outdated material.



ABER - Embragens e Comandos Hidráulicos - A. B. LDA

Rua Francisco de Almeida, Nº 30 – Vila Nova da Telha – 4470 MAIA - Portugal

Telephone: +351.22.9438070 Fax: +351.22.9420823 e-mail: aber@aber.pt <http://www.aber.pt>

1/1