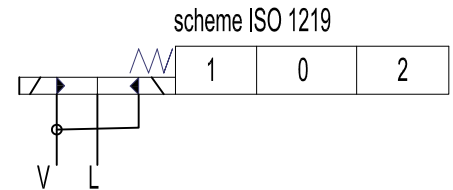
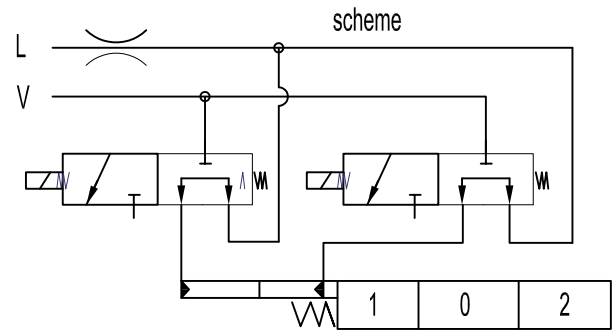
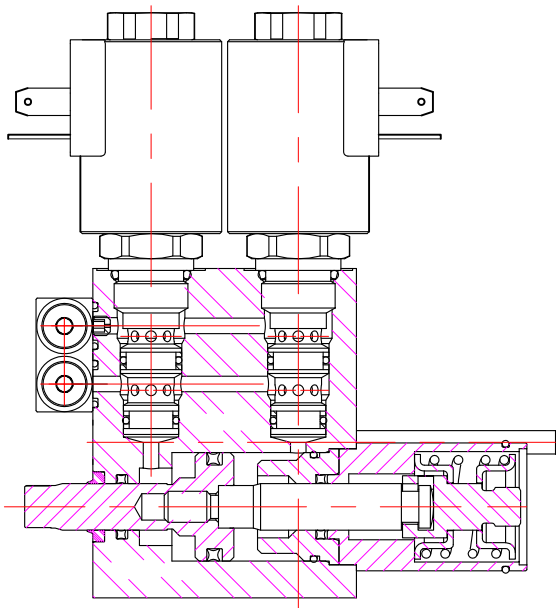


directional control valve P40

ED3 – electro-hydraulic control ON-OFF  
 Электрогидравлический контрол ON-OFF



Operating pressure min 10 bar(145 psi)  
 max 50 bar(725 psi)  
 Max operating pressure in L (T line) 25 bar(360 psi)

**Ordering codes**

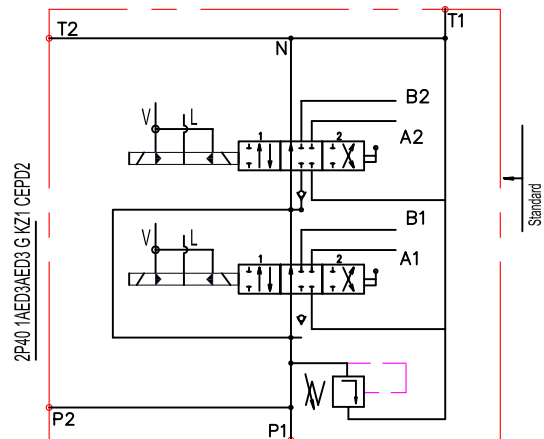
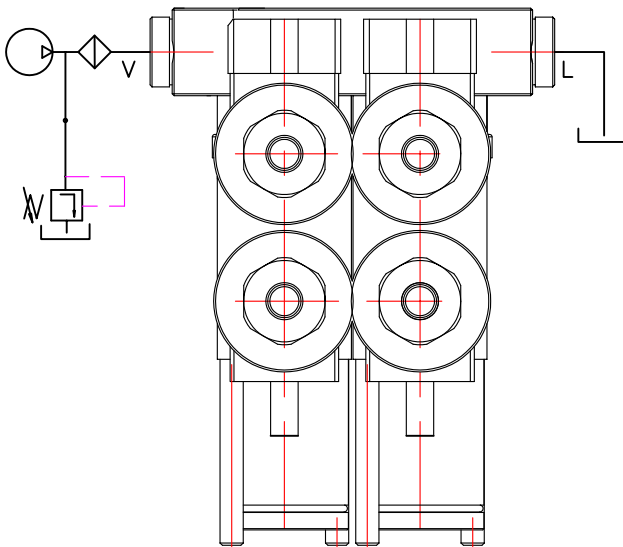
3-way solenoid valve-SV08-33  
 coil P40ED3-G-12VDC  
 coil P40ED3-G-24VDC

Solenoid operating features

Nominal voltage tolerance ±10%  
 Power rating 24W  
 Duty cycle 100 %

**Collector kit for external pilot and drain – CEED...(1,2,3 ...)**

**Коллектор для внешнего питания управления и слив**



**Ordering example**

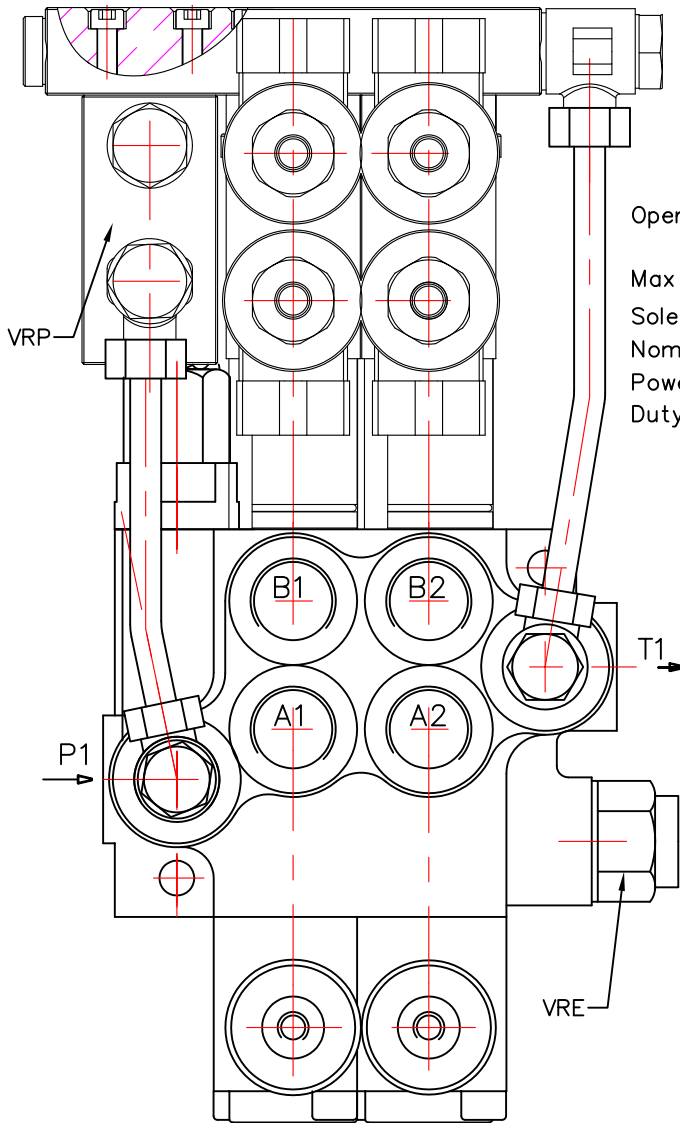
2P40-1A1ED3A1ED3 G KZ1-CEED2-12VDC

**Ordering codes (BSP threads)**

CEED1P40 Kit for 1 section  
 CEED2P40 Kit for 2 section  
 CEED3P40 Kit for 3 section  
 CEED4P40 Kit for 4 section  
 . . . . .

directional control valve P40

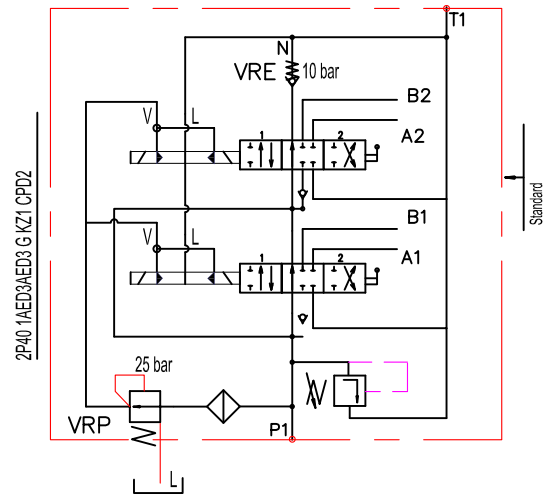
ED3 – electro-hydraulic control ON-OFF  
 Электрогидравлический контрол ON-OFF



**Order codes**

3-way solenoid valve-LSV2-08-3C  
 coil P40ED3-G-12VDC  
 coil P40ED3-G-24VDC

Operating pressure	min 10 bar(145 psi) max 50 bar(725 psi)
Max operating pressure in L (T line)	25 bar(360 psi)
Solenoid operating features	
Nominal voltage tolerance	±10%
Power rating	24W
Duty cycle	100 %



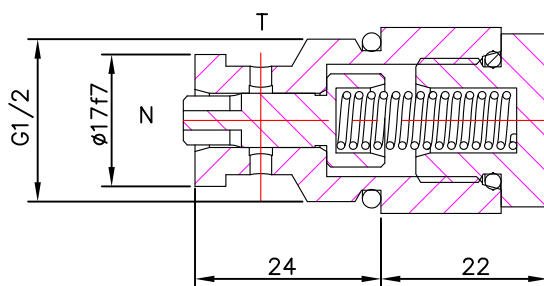
**Ordering example**

2P40-VRP- 1A1ED3A1ED3 G KZ1-CED2-VRE-12VDC

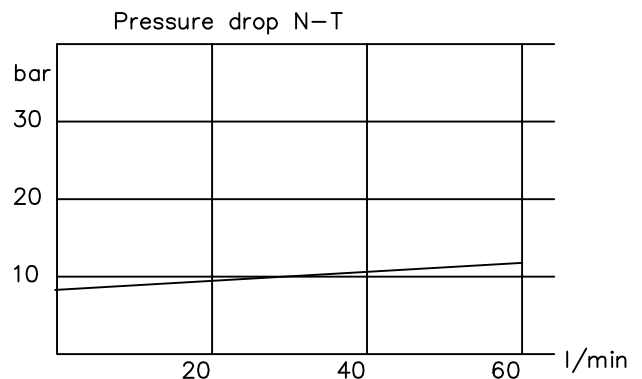
**Colector kit – Ordering codes  
 BSP threads**

CED1	Kit for 1 section
CED2	Kit for 2 section
CED3	Kit for 3 section
CED4	Kit for 4 sektion
...	

**Back pressure valve VRE-P40  
 Клапан подпорный на слив**



2 / 2



oct 2010