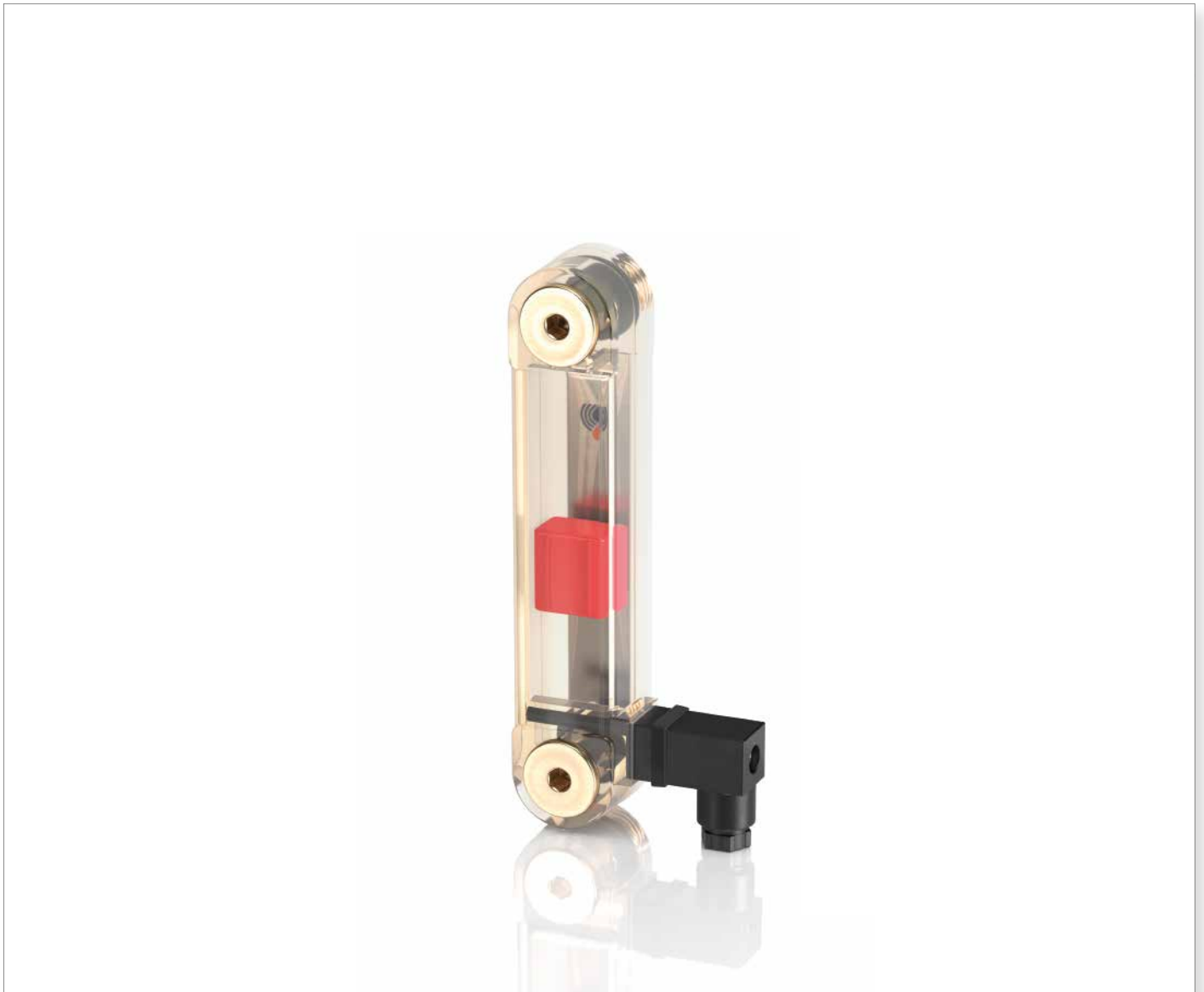


LVK series

Electrical and visual oil level indicator



Technical data

Electrical and visual oil level indicators

LVK is a range of electrical and visual fluid level indicators for monitoring of the fluid level into the tank. They are directly fitted on the tank side. The float moves through the indicator housing while the fluid level changes. A magnet, fitted into the float, turns a reed sensor fixed into the housing.

Available features:

- Several male threaded connections
- Three different sizes, to meet every size of tank
- Thermometer, thermostat or PT100, to check the temperature of the fluid

Common applications:

- Hydraulic systems
- Mobile machines
- Industrial equipment

Electrical symbol:

see page. 118

Materials

- Head: Polyamide
- Screws: Nickel plated brass (standard), Aisi 314 (optional)
- Seal: NBR (standard), FPM (optional)
- Float: Polyamide
- Sensor thermometer: Screw + thermometer

Temperature

From -20 °C to + 80 °C

Weight

LVK 10 0.140 kg
LVK 20 0.170 kg
LVK 30 0.250 kg

Quantity

25 pcs/pack



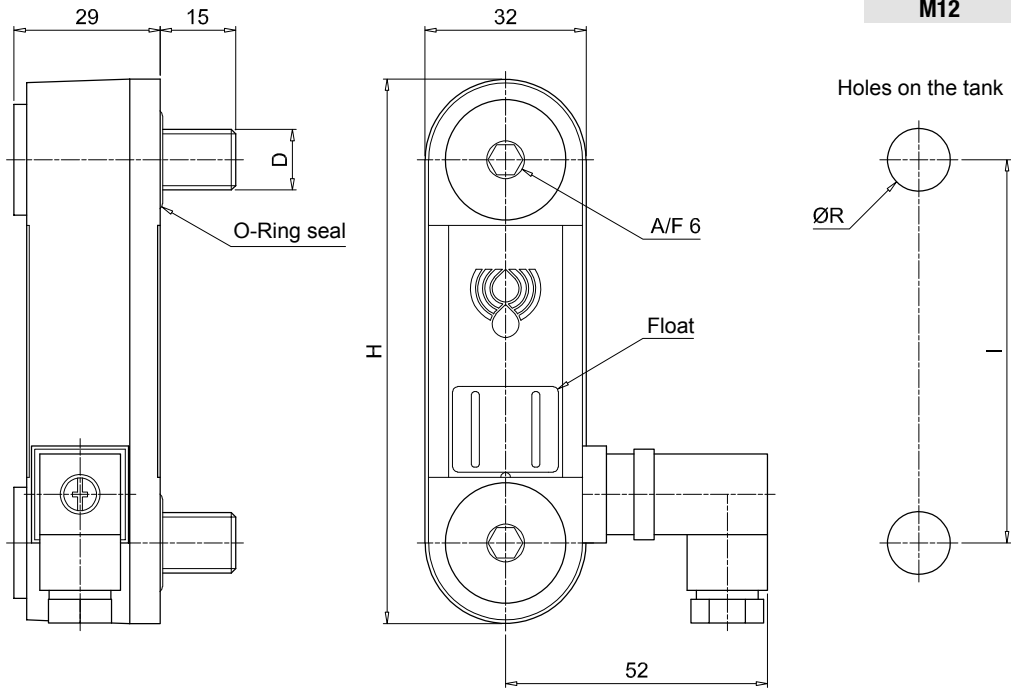
Designation & Ordering code

LVK

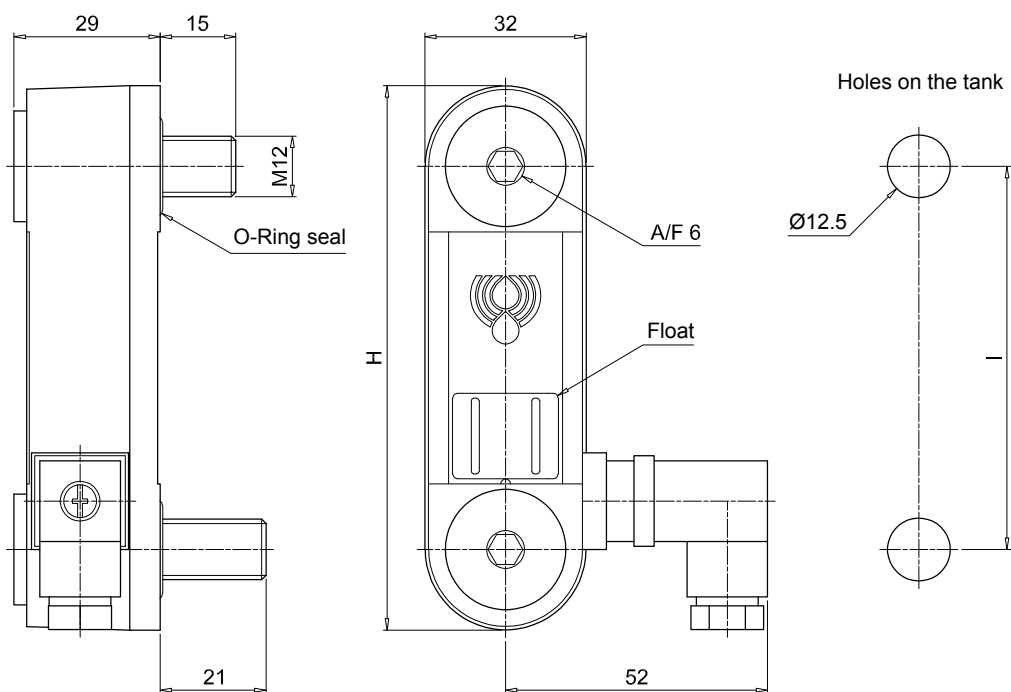
Series	Configuration example :							
LVK	LVK	20	A	M12	1	T	5	P01
Length	10	20	30					
Seals	A	NBR						
Connections	M10	Screws M10	M12	Screws M12				
Electrical switch in absence of fluid	1	N.O. (normally open)						
2	N.C. (normally closed)							
3	SPDT (single-pole, double throw)							
Version	Connection							
S	Standard	M10	M12					
T	With thermostat							
P	With PT100 sensor							
Thermostat setting	Version							
S	Standard (no setting)	S	T	P				
1	50°C N.O. (normally open)							
2	60°C N.O. (normally open)							
3	70°C N.O. (normally open)							
5	50°C N.O. (normally closed)							
6	60°C N.O. (normally closed)							
7	70°C N.O. (normally closed)							
Execution								
P01 MP Filtri standard								
Pxx Customized								

LVK		
Size	H [mm]	I [mm]
10	108	76
20	159	127
30	286	254
Connection	D [mm]	ØR [mm]
M10	M10	10.5
M12	M12	12.5

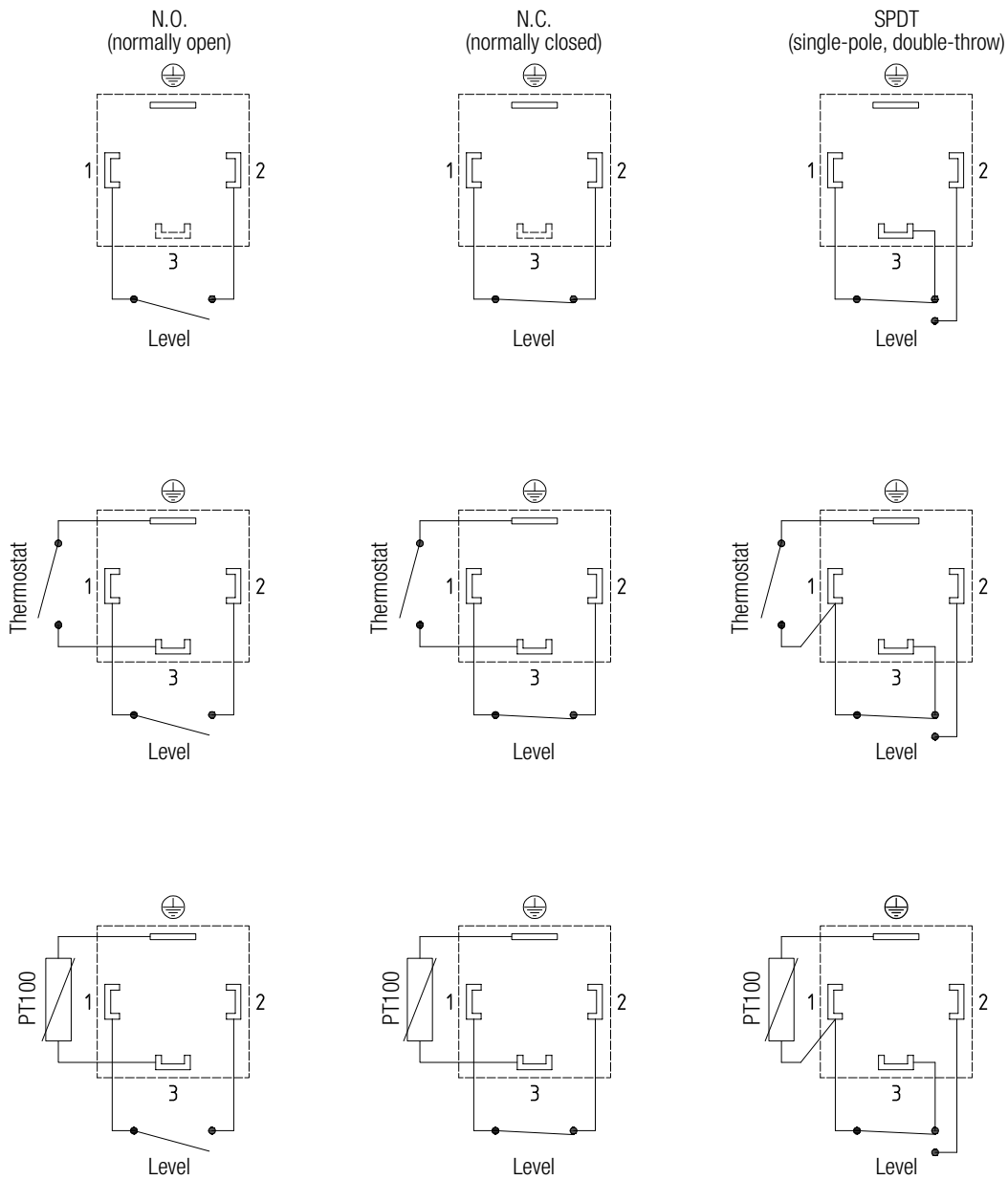
Without thermostat



With thermostat



Electrical symbols



Note: to invert the contact status from NC to NO and vice versa, simply invert the float.