

Technical data

Visual Oil Level Indicators

Visual oil level indicator - round shape

LCC is a range of plastic compact fluid level indicators, usually called spy eyes, for monitoring of the fluid level into the tank. They are directly fitted on the tank side.

The special shape of the screen allows the monitoring of the fluid level from every position.

Available features:

- Male threaded connections up to G 2"
- Expansion kit, for reliable sealing even in tanks with thin walls

Common applications:

- Hydraulic systems
- Mobile machines
- Industrial equipment

N Series

Weight

LCCG26	7 g
LCCG42	20 g
LCCG60	40 g

Materials

- Body: Polyamide
- Lens: Polyamide
- Contrast screen: Polyamide
- Seals: Inorganic fibre, NBR
- Expansion kit: Brass / NBR

T Series

Weight

LCCG16	2 g
LCCG20	4 g
LCCG33	9 g

Materials

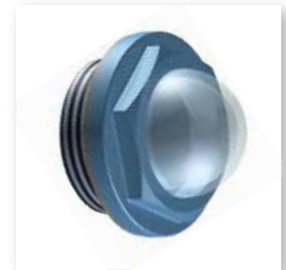
- Body: Polyamide
- Seals: NBR

Temperature

From -20 °C to + 80 °C

Quantity

25 pcs/pack



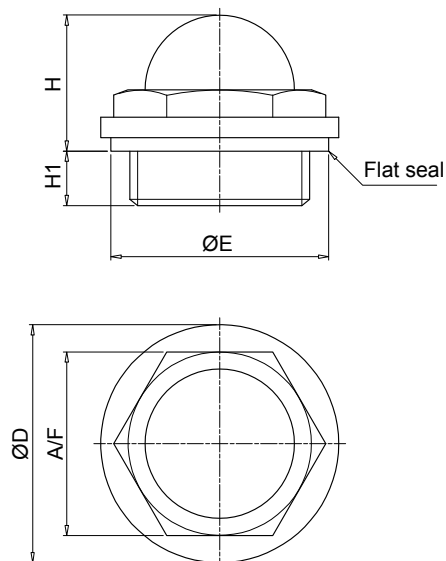
Designation & Ordering code

COMPLETE VISUAL OIL LEVEL INDICATORS

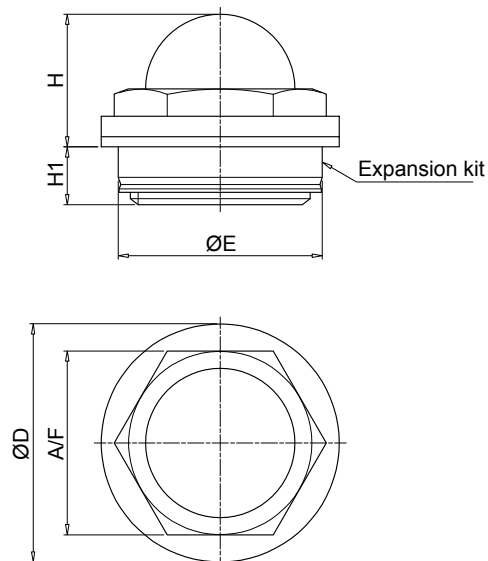
Series	Configuration example 1 :						
LCC	LCC	G20	N	A	K	P01	
	Configuration example 2 :						
	LCC	G33	T	A		P01	
Connections	Material:	N	T				
G13 G 1/4"							
G16 G 3/8"							
G20 G 1/2"		•	•				
G26 G 3/4"		•	•				
G33 G 1"		•	•				
G42 G 1 1/4"		•					
G48 G 1 1/2"		•					
G60 G 2"		•					
Material							
N Black polyamide							
T Transparent polyamide							
Seals	Material:	N		T			
A NBR	Expansion kit:	S	K				
B Inorganic fiber		•					
Expansion kit	Material:	N					T
S Without expansion kit	Connection:	G20	G26	G33	G42	G48	G60
K With expansion kit		•	•	•	•	•	•
		•	•	•	•	•	•
Execution							
P01	MP Filtri standard						
Pxx	Customized						

LCC - N

without expansion kit



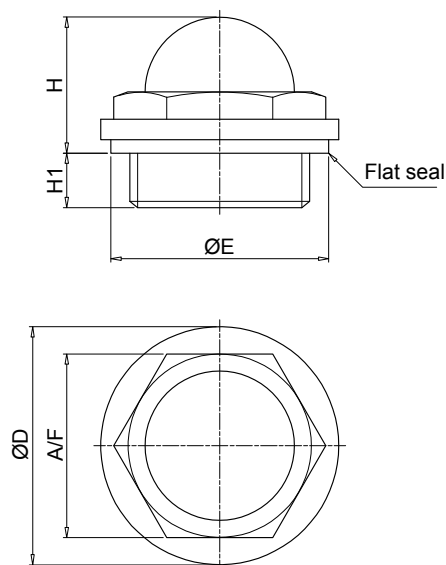
with expansion kit



Connections	ØD [mm]	ØE [mm]	A/F [mm]	H [mm]	H1 [mm]
G20	28	26	22	17.5	17.5
G26	35	32	27	20	8
G33	42	41	34	24	10
G42	52	51	44	30	11
G48	58	53.5	50	33	11.5
G60	74	72	64	39	18

Connections	ØD [mm]	ØE [mm]	A/F [mm]	H [mm]	H1 [mm]
G20	28	26	22	16.5	8.5
G26	35	30	27	19.5	8.5
G33	42	40	34	23.5	10.5
G42	52	50	44	29.5	11.5
G48	58	55	50	32.5	12

LCC - T



Connections	ØD [mm]	ØE [mm]	A/F [mm]	H [mm]	H1 [mm]
G13	19	18.5	15	12.5	5
G16	21.5	21.5	17	14	5.5
G20	27	26	21	16.5	6
G26	33	32	26	19	7
G33	40	41	32	22.5	8