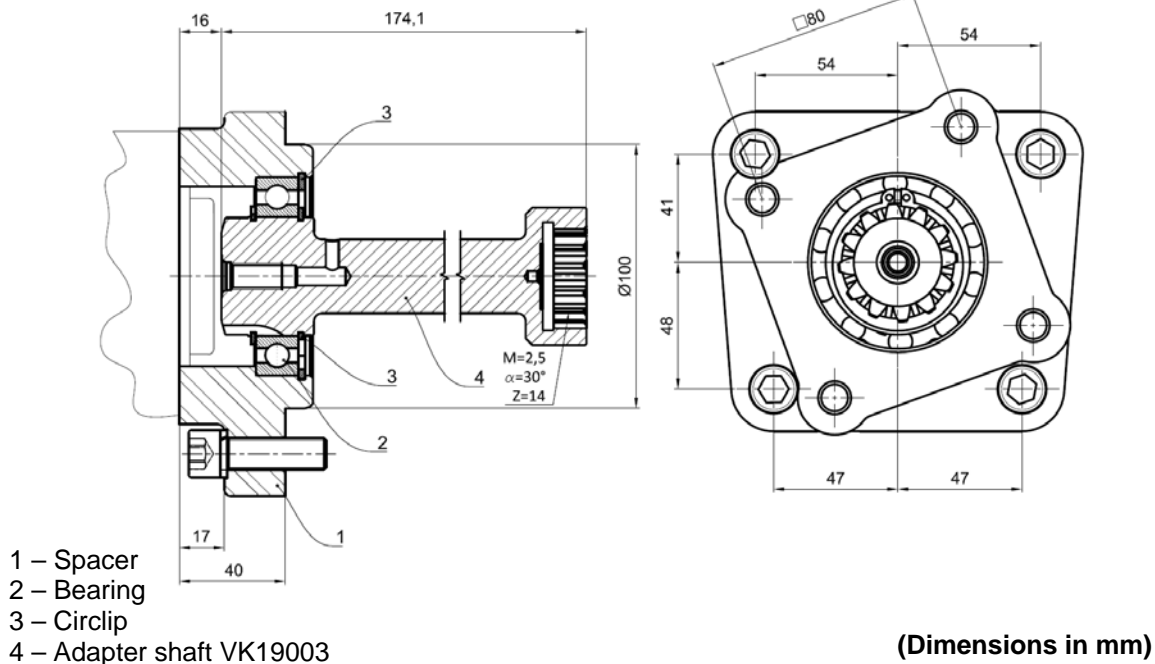




Main Dimensions



Main Data

Continuous Torque (Nm)	588
Intermittent Torque (Nm)	820
Power (at 1000 rpm)	84 hp / 62 kW
Weight (kg)	4,5
Engine-Kit adapter ratio	

CTI VK19003 1207-0

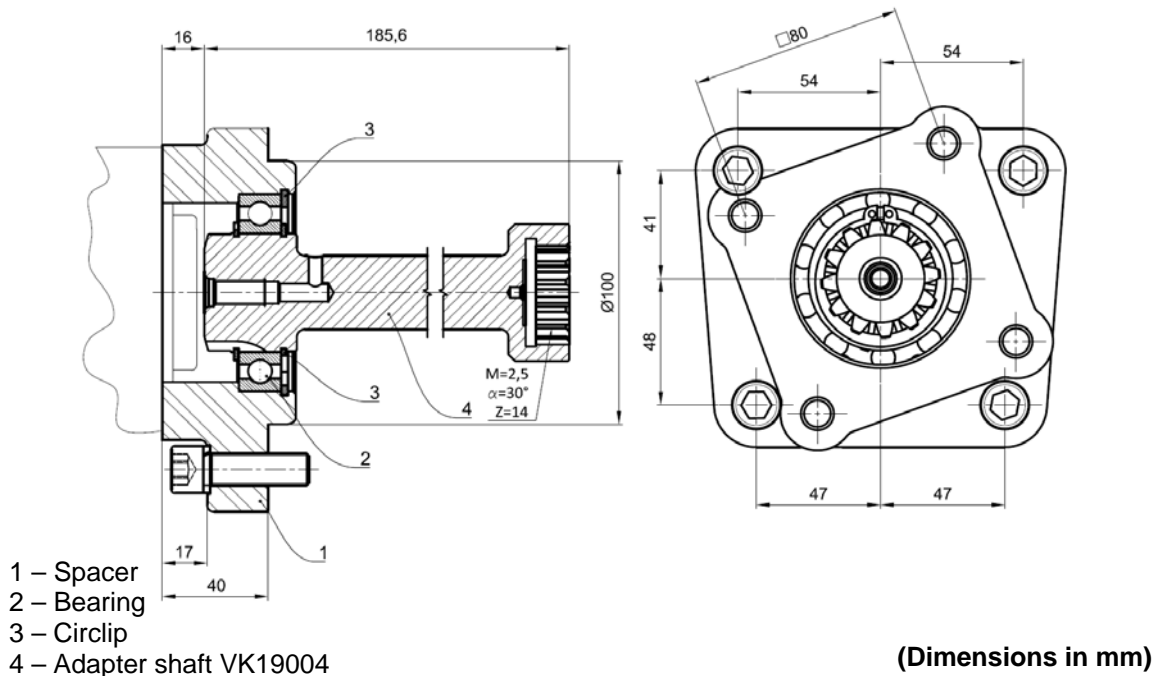
ABER is constantly engaged in improving its products and, therefore, reserves itself the right to modify without any further notice the characteristics shown. The gear boxes are in constant change; therefore, ABER is not to be held responsible for any damage resulting from wrong application or application of outdated material.



ABER - Embraiaçes e Comandos Hidráulicos - A. B. LDA
Rua Francisco de Almeida, Nº 30 – Vila Nova da Telha – 4470 MAIA - Portugal
Telephone: +351.22.9438070 Fax: +351.22.9420823 e-mail: aber@aber.pt <http://www.aber.pt>



Main Dimensions



Main Data

Continuous Torque (Nm)	588
Intermittent Torque (Nm)	820
Power (at 1000 rpm)	84 hp / 62 kW
Weight (kg)	4,7
Engine-Kit adapter ratio	

CTI VK19004 1207-0

ABER is constantly engaged in improving its products and, therefore, reserves itself the right to modify without any further notice the characteristics shown. The gear boxes are in constant change; therefore, ABER is not to be held responsible for any damage resulting from wrong application or application of outdated material.



ABER - Embraiaçes e Comandos Hidráulicos - A. B. LDA
Rua Francisco de Almeida, Nº 30 – Vila Nova da Telha – 4470 MAIA - Portugal
Telephone: +351.22.9438070 Fax: +351.22.9420823 e-mail: aber@aber.pt <http://www.aber.pt>