

BCC5



Remote Control with Flexible cables



Badestnost
hydraulic components

Features

This catalog shows BCC remote control with flexible cables for directional control valves

- Stackable body.
- Low actioning efforts.
- Easy installation.
- Detents, safety lever, several type of knobs available.
- BCC5 recommended for P40, P80, PC70, PC100, Z50, Z80, and ZC70.

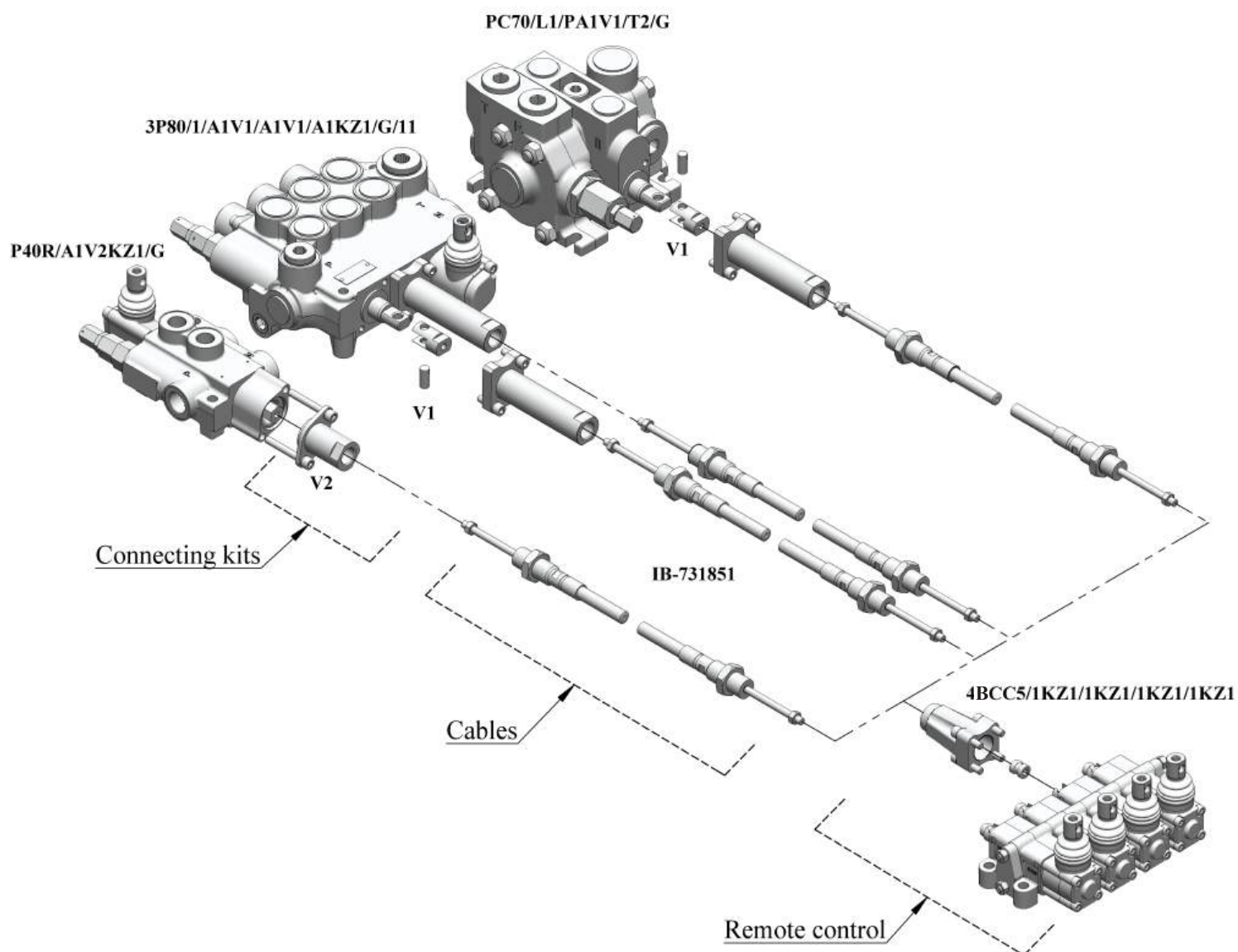
Additional information

This catalog shows the product in the most standard configurations.
Please contact Sales dept. for more detail information or special request.

Warning!

All specifications of this catalogue refer to the standard product at this date.
Badestnost, is continuously improves products, reserves the right to discontinue, modify or revise the specifications, without notice.

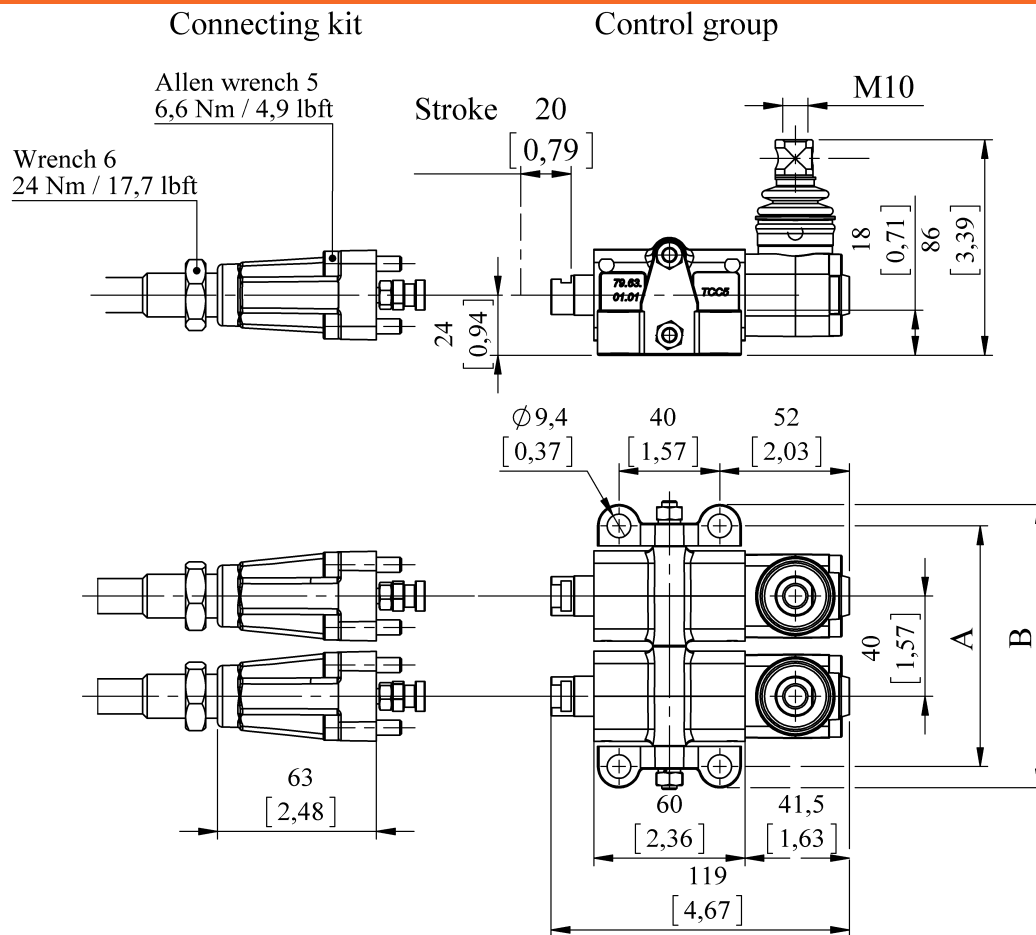
1st edition October 2015



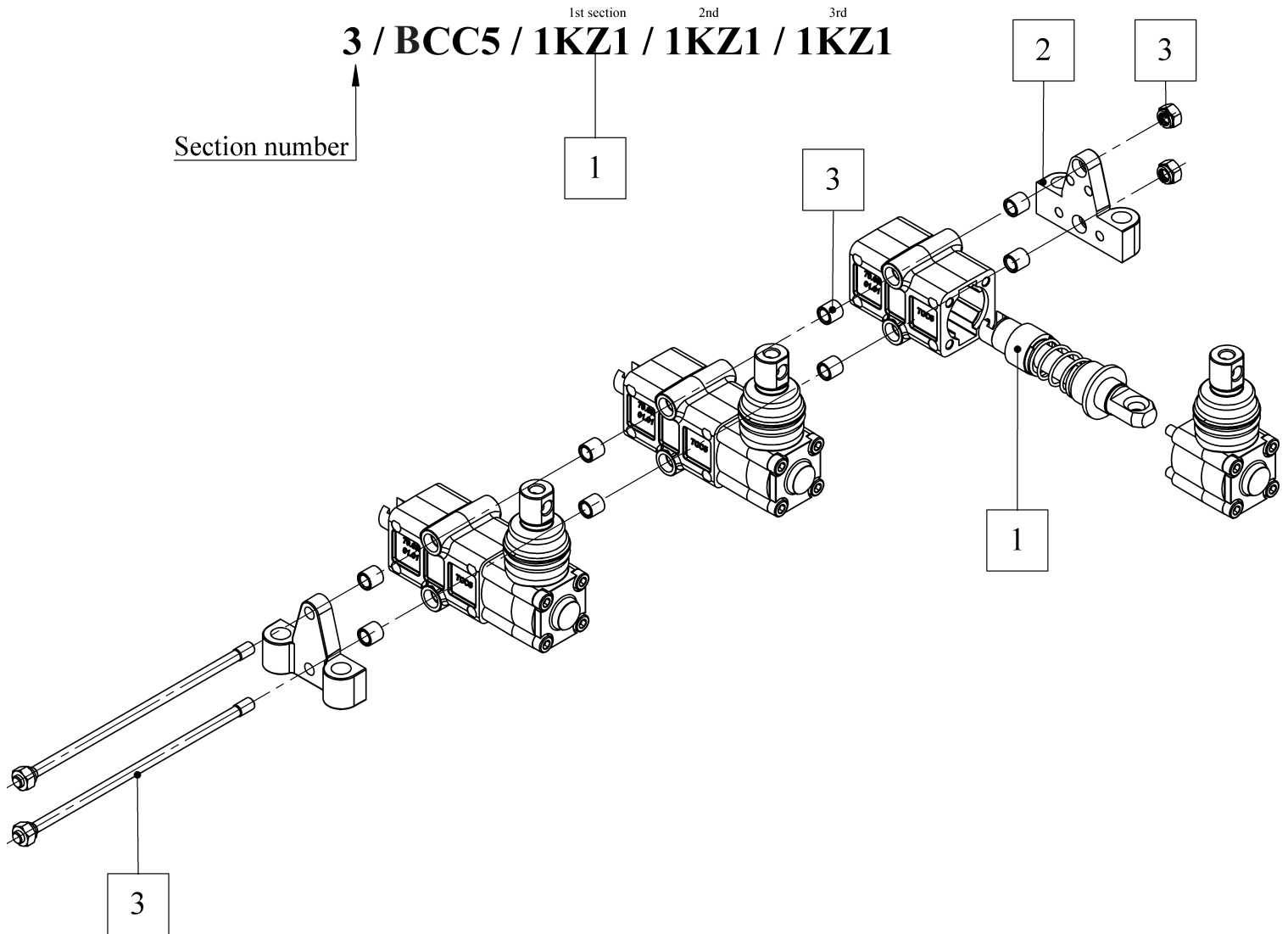
Contents

Stackable remote control BCC5.....	4
Ordering codes.....	5
BCC5 controls.....	6
Flexible cables.....	7
Connecting schemes.....	8
Connecting kits and ordering codes.....	9

Dimensions



TYPE	1BCC5		2BCC5		3BCC5		4BCC5		5BCC5		6BCC5		7BCC5	
	mm	in	mm	in	mm	in	mm	in	mm	in	mm	in	mm	in
A	56	2.2	96	3.78	136	5.35	176	6.93	216	8.5	256	10.08	296	11.65
B	73	2.87	113	4.45	153	6.02	193	7.6	233	9.17	273	10.74	313	12.32



1. BCC5 complete sections

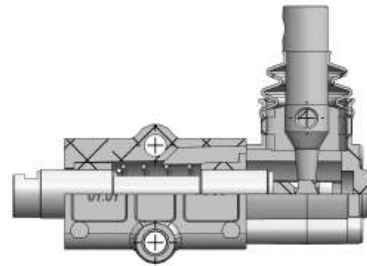
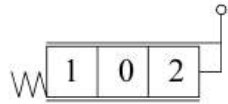
Type	Description
1KZ1	With lever and spring return
0KZ1	With lever , without spring return

2. BCC5 fixing brackets

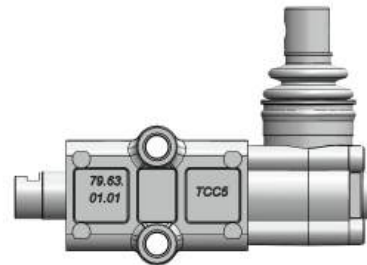
Type	Description
Standard	Standard support

3. BCC5 tie rod kits

Group	Group	Group
1 BCC5	3 BCC5	7 BCC5
2 BCC5	4 BCC5	

Controls**Control - 1**

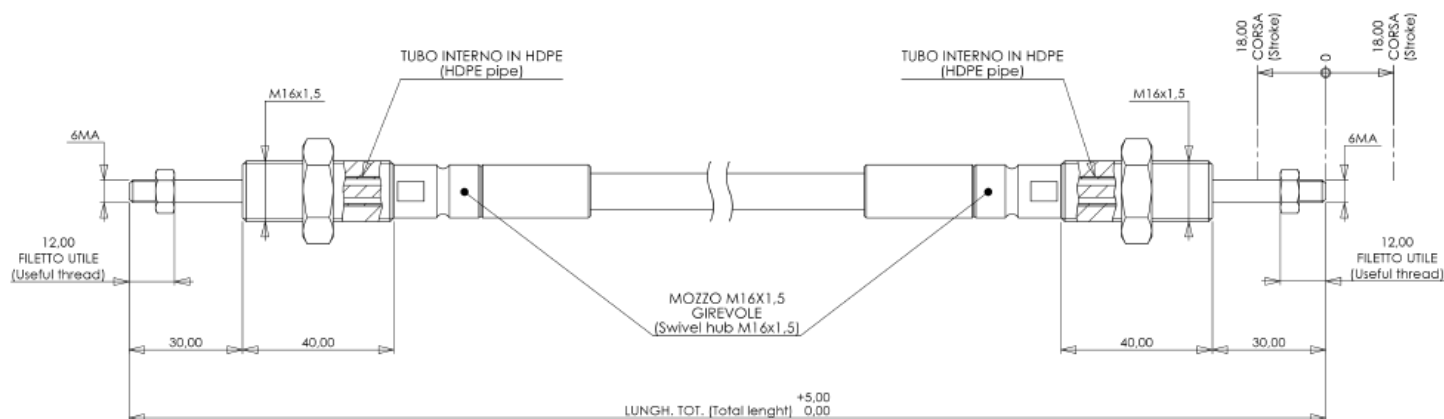
Spring center to neutral

Control - 0

Without spring return for detented control on directional control valve and control without neutral position.
For (Spool positioner 2, 3, 6, 7, 8, 9, 10, 11 etc.)

Technical data

Max total stroke:	36 mm	1.4 in
Min. disconnection load of rope terminals:	3000 N	675 lbf
Min. disconnection load of conduit terminals:	3000 N	675 lbf
Min. bending radius:	200 mm	78.7 in
Working temperature	-30 deg C to +80 deg C	-22 deg F to +176 deg F



Ordering codes

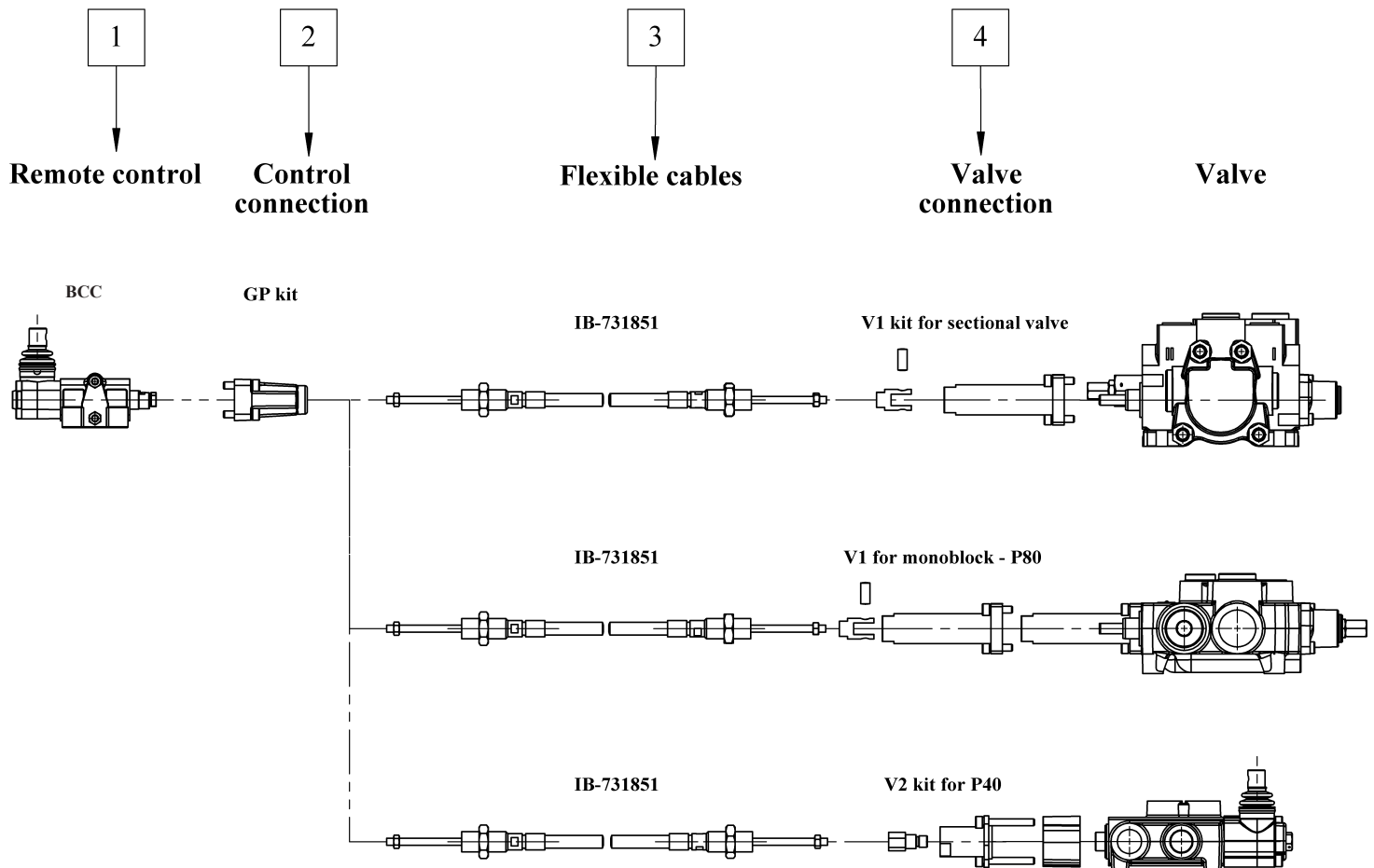
Flexible cables - **IB731851/02.50**



		2.Cable length mm in									
1. Type	1000	1500	2000	2500	2800	3000	3500	4000	5000	5600	
		39.37	59.06	78.74	98.43	110.24	118.11	137.80	157.48	196.85	220.47
IB731851	01.00	01.50	02.00	02.50	02.80	03.00	03.50	04.00	05.00	05.60	

Connecting scheme

Flexible cables and connecting kit at both ends are used to join control group BCC to the directional control valve. On the remote control there is always kit; on the valve, the kit depends on the chosen side, can be either V1, or V2. V1 kit is mounted on the control lever side of the directional control valve (side A if left hand configuration). V2 kit is mounted on the spool positioner side of the directional control valve (side B if left hand configuration).



1.
2.
3.
3.

2BCC5/0KZ1/1KZ1 + **GP50** + **IB731851/01.00** + **IB731851/01.50**
 + **3P80/1/(300)/A8V2/A1V2/A1KZ1/G/22**

1. BCC remote control **page 5**

2. Control connecting kit

Type	Description
GP50	Kit for BCC5

3. Flexible cables **page 7**

The control kit of the directional control valve side can be chosen from the catalogs of the specific valve. GP50 control connecting kit is required always when BCC5 remote control is used. For other custom solution, please contact sales department.

Badestnost

hydraulic components

Badestnost SA

6200 CHIRPAN, BULGARIA, 1 INDUSTRIAL ZONE

TEL. +359 4169 3012 **FAX** +359 4169 5534

E-MAIL: badestnost@hydraulic-vlv.com

HTTP://badestnost.bg

Sales dept.

TEL. +359 4169 4486 **FAX** +359 4169 5534

E-MAIL: sales@hydraulic-vlv.com